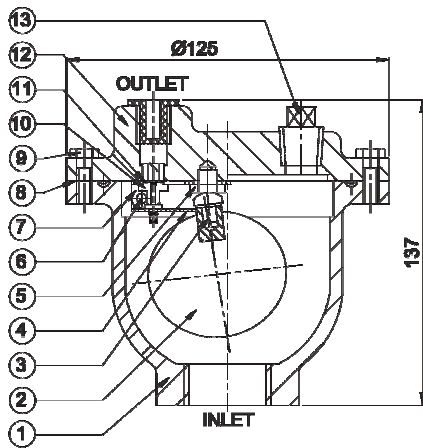




FIG 1



DESCRIPTION

VALMATIC® Automatic Air Vent is designed to release accumulated air from the piping system during the normal operating conditions. It also ensures to allow large quantity of air to flow through when the pipelines are being filled or emptied.

VALMATIC® Automatic Air Vent is featured with Fusion Bonded Epoxy Powder Coating to prevent the valve body from environmental attack. This Air Vent is applicable for Building Services, Plumbing, Waterworks, Air-Conditioning System, Hot Water System and General Industries.

SPECIFICATION

- End Connection - Screwed End BSPT
- Pressure Rating - PN16
- Working Temperature - up to 120°C

MATERIALS

NO.	PARTS	MATERIAL
1.	Body	Cast Iron A126 CLASS B (EN-JL1040)
2.	Float Ball	Stainless Steel AISI 304 (BS970 304S15)
3.	Lever Frame	Stainless Steel AISI 304 (BS970 304S15)
4.	Float Arm	Stainless Steel AISI 304 (BS970 304S15)
5.	Locator	Stainless Steel AISI 304 (BS970 304S15)
6.	Pivot Pin	Stainless Steel AISI 304 (BS970 304S15)
7.	Pin Retainer	Stainless Steel AISI 304 (BS970 304S15)
8.	Gasket	EPDM Rubber
9.	Cover Bolt	Carbon Steel A307B
10.	Orifice Button	VITON Rubber
11.	Seat	Stainless Steel AISI 304 (BS970 304S15)
12.	Cover	Cast Iron A126 CLASS B (EN-JL1040)
13.	Plug	BRASS B16 (CuZn39Pb3)

DIMENSIONS (INCH)

SIZE	INLET SIZE	OUTLET SIZE	ORIFICE SIZE
½ INCH	1/2" BSP	1/2" BSP	1/16"
¾ INCH	3/4" BSP	1/2" BSP	1/16"
1 INCH	1" BSP	1/2" BSP	1/16"

The specification is subject to change without further notice