

# CATALOG

**ALIA TECHNOLOGY LLC**

## GENERAL

**ALIASONIC** AUT8500 series is an intelligent handheld product, which provides quick and precise measurement of thickness for most industrial material.

AUT8500 series is widely used in various precise measurement for different hardware/parts in industrial realm and diffusely applied in manufacture fields, metal processing or commercial inspection.

## FEATURES

- Auto calibration to assure accuracy
- Low battery indication
- Preset or store more than ten sound velocity and thickness measurement data
- Auto power off if no operation within two minutes
- With a given thickness to measure the sound velocity
- Coupling status indication
- High / Low thickness buzzer alarm

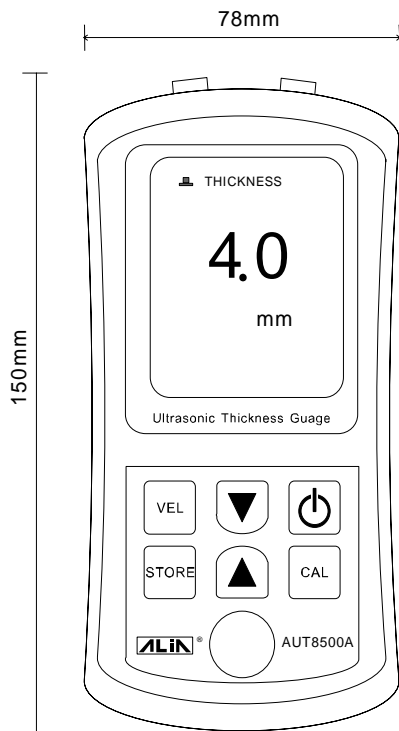
## STANDARD SPECIFICATION

- **Model** : AUT8500A
- **Measuring Range** : 1.2 ~ 225.0 mm
- **Resolution** : 0.1mm
- **Min. limit for tube** :  $\phi$  20 \* 3.0 mm ( $\phi$ 10 Transducer)
- **Accuracy** : +/-1% of Reading +/-0.1mm
- **Engineer unit** : mm
- **Sound Velocity Range** : 1000 ~ 9999 m/s
- **Accuracy of Velocity** : +/-1% of Reading (Thickness < 20mm)  
: +/-5% of Reading (Thickness > 20mm)
- **Operating Temp.** : -20 to +60 °C
- **Battery life** : 15 to 20 Hours
- **Power Supply** : 1.5V AAA Battery \* 3 pcs
- **Power Consumption** : <0.54 W (with back light on)
- **Standard Package** :  
: Ultrasonic Thickness Gauge  
:  $\phi$  10 Transducer (5MHz)  
: Ultrasonic Couplant  
: Sample Block  
: Leather Case Cover  
: Carrying Case

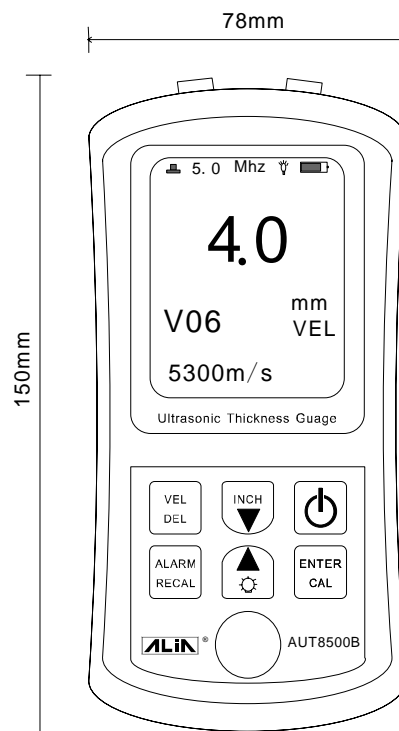
- **Model** : AUT8500B
- **Measuring Range** : 1.00 ~ 300.0 mm (1/25" ~ 12")
- **Resolution** : 0.01mm
- **Min. limit for steel tube** :  $\phi$  15 \* 2.0 mm ( $\phi$  6 Transducer)  
:  $\phi$  20 \* 3.0 mm ( $\phi$  10 Transducer)
- **Accuracy** : +/-0.8% of Reading +/-0.05mm
- **Engineer unit** : mm / Inch
- **Sound Velocity Range** : 1000 ~ 9999 m/s
- **Accuracy of Velocity** : +/-1% of Reading (Thickness < 20mm)  
: +/-5% of Reading (Thickness > 20mm)
- **Alarm Setting** : High / Low Thickness Alarm With Buzzer
- **Operating Temp.** : -20 to +60 °C
- **Battery life** : 30 to 35 hours
- **Power Supply** : 1.5V AAA Battery \* 3 pcs
- **Power Consumption** : <0.16W (with back light on)
- **Standard Package** :  
: Ultrasonic Thickness Gauge  
:  $\phi$  10 Transducer (5MHz)  
:  $\phi$  6 Transducer (5MHz)  
: Ultrasonic Couplant  
: Sample Block  
: Leather Case Cover  
: Carrying Case



DESIGNS



AUT8500A



AUT8500B

ACCESSORIES



Ultrasonic Thickness Gauge



Carrying Case



Couplant



Sample Block



φ 10 Transducer



φ 6 Transducer

## GENERAL

**ALIATEMP** ATT1000-B two-wire input temperature transmitter is a high performance device that receives Thermocouple/RTD/ohm/ mV input and output mA .

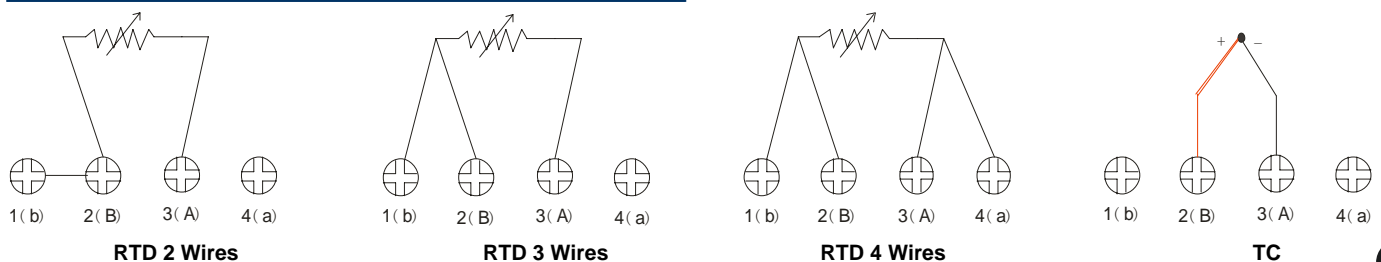
## FEATURES

- Updating time of output current in 90 ms
- Two years stability of 0.1%
- 4-20 mA output plus

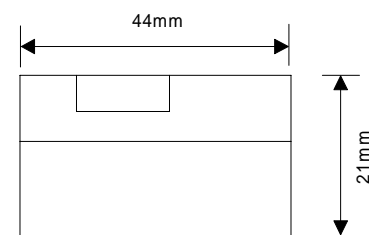
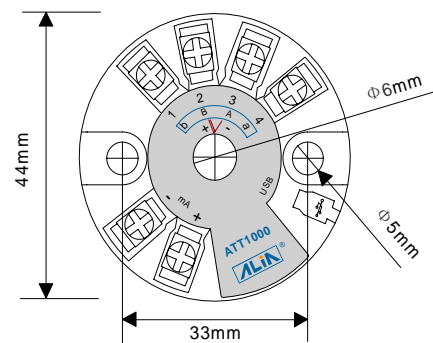
## STANDARD SPECIFICATION

- Inputs : Universal Input
  - Thermalcouple : T/C (K, S, B, E, J, T, R, N).....
  - RTD : CU50 / PT100, 2/3/4 wire.....
  - mV : -128 to +128mV / -1000 to +1000mV.....
  - Resistance : 0-600 Ω / 0-5000 Ω
- Accuracy : +/- 0.1% of span
- Stability : +/- 0.1% of span for 2 years
- Temperature Effect : +/- 0.1% of span per 10 °C
- CJC compensation : +/- 0.5 °C
- Simulation Output : 4-20 mA
- Module Housing : Flame-resistant PC
- Over Temp. Limit : 120% of Full Scale
- Humidity Limit : 0 to 100% Relative Humidity
- Ambient Temperature : -25 to +85 °C
- Vibration Effect : +/-0.05% of URL per g to 200 Hz in any axis
- EMI / RFI Effect : Follow SAMA PMC 33.1 from 20 to 1000 MHz and for field strengths up to 30 V/m
- Response Time : 100 mS
- Turn on Time : 2 Seconds with minimum damping
- Power Supply Effect : +/-0.005 of Span per V
- Display Unit : °C / °F / °R / °K
- Setting Method : USB+PC software (windows system )

## WIRING DIAGRAM



## DIMENSIONS



- Current Output : 4 - 20 mA 2 wires  
Load : Rohm = (Vdc-9) x 50
- Power Supply : 9 ~ 36 VDC
- Damping : 0 - 32 seconds



## GENERAL

**ALIAEMT** ARH950 Series Wall/Duct mount Relative Humidity Transmitter is the most versatile transmitter in the market. ARH950 combines high accuracy, stability and reliable operation, making these products the ideal choice for demanding applications.

## FEATURES

- ❑ Two Line LED (LCD) display, directly read the RH & temperature
- ❑ Accuracy up to +/-2%RH
- ❑ DIP switch selectable signal input of Temperature
- ❑ 4 wire, 4-20mA x 2 for both Humidity & Temperature output
- ❑ Small, light and easy to be installed
- ❑ Full 0 - 100%RH measurement
- ❑ RH 0.1%, Temperature 0.1 °C Resolution
- ❑ 8 seconds fast response time

## STANDARD SPECIFICATION



- Measuring Range
  - Relative Humidity : 0 ~ 100%RH
  - Temperature : 0~50 / -20~+80 / -40~+60 °C
- Accuracy
  - Relative Humidity : +/-2%RH @ 25 °C
  - Temperature : +/-0.3 °C @ 25 °C
- Resolution
  - Relative Humidity : 0.1%RH
  - Temperature : 0.1 °C
- Repeatability : +/-0.1% typical
- Humidity Drift : <0.5%RH/Year
- Temperature Drift : <0.1 °C/Year
- Operating Temperature : -20 °C to 70 °C
- Storage Temperature : -10 °C to 60 °C
- Storage Humidity : 0% to 90%RH
- Material
  - Electrical Housing : ABS (Duct) / PC (Wall)
  - Probe : ABS(Duct)
  - Flange : PC (Polycarbonate)
  - Sensor Housing : PC (Polycarbonate)
- Protection Class
  - Duct Mount : IP54
  - Wall Mount : IP44
- Display : RH 0.0 ~ 99.9% LED (LCD)  
: Temperature +/- 99.9 °C
- Output
  - Relative Humidity : 4-20 mA
  - Temperature : 4-20 mA
  - Load : Rohm=(VDC-12) x 50
- Response Time : 8 seconds
- Turn on Time : 3 Seconds
- Power Supply : 9-36VDC
- Power Consumption : <50mA @24VDC
- Screw Terminal : 0.5 to 1.5 mm2
- Dimensions
  - Duct Mount : 85mm(L) X 85mm(W) X 241.4mm(H)
  - Wall Mount : 100mm(L) X 84mm(W) X 23mm(D)
- Weight
  - ARH950-D : 146 g
  - ARH950-W : 83 g
- EMI/RFI Effect : Follow SAMA PMC 33.1 from 20 to 1000 MHz and for field strengths up to 30V/m
- Vibration Effect : +/-0.1% of Full Scale Per g to 200Hz in any axis



# ALIAPD

## Positive Displacement Flowmeter-Oval Gear

### Model APF850 Series

#### GENERAL

ALIAPD APF850 series is designed in Oval Gear technology with digit display for Totalizer & flowrate and providing scale pulse and analog output 4-20mA.

APF850 series Oval Gear flowmeters are both high accuracy and easily adaptable to most industrial applications.

#### FEATURES

- 15 - 40 mm (1/2" ~ 1-1/2") lines sizes
- Handles viscosities up to 50000 CP
- Wide range of application
- Various process connection types available
- 5 digit Totalizer (Resettable) / 8 digit Totalizer (LCD)
- 4-20 mA or pulse output
- High accuracy of +/-0.5% of reading (or +/-0.2% of reading)
- Display with auto sleep function that gets up to 6 years of battery life

#### STANDARD SPECIFICATION

- Size : 15, 20, 25, 40 mm
- Flow Range : 5 - 5000 L/Hr
- Accuracy : +/- 0.5% of reading (Standard)  
: +/- 0.2% of reading (Option)
- Repeatability : +/-0.1% of reading
- Material
  - Body, Cover & Flange : Cast Iron / Stainless Steel 316
  - Roots : Polyphenylene sulfide (PPS)
  - O-Rings : PTFE
  - Register Housing : Aluminum Alloy
- Max. Viscosity : 0.3 - 200 CP (Standard)  
: 201 - 50000 CP (Optional)
- Operating Temperature :  
: -10 to 120°C (Standard)  
: -10 to 150°C (Optional)
- Max. Pressure : 19 Kg/cm<sup>2</sup>
- Process Connection :  
Thread : BSP (Male)  
Flange : JIS 10K#FF / ANSI 150#FF
- Power Supply : 3.6V Battery, Size D x 1 ea
- Battery Life : 3-6 years
- Protection Class : IP65  
: Intrinsically Safe (Unscaled pulse Output)
- : Explosion Proof, Ex d IIB T6
- Painting : Dark Grey



- Flow Range
  - 15S mm : 5 - 200 L/Hr @ 5CP
  - 15 mm : 10 - 700 L/Hr @ 5CP
  - 20 mm : 20 - 1300 L/Hr @ 5CP
  - 25 mm : 50 - 3500 L/Hr @ 5CP
  - 40 mm : 100 - 5000 L/Hr @ 5CP
- Display
  - Flow Rate/Totalizer : 5 Digit Flow rate / 8 Digit Totalizer
  - Dual Totalizer : 5 Digit Totalizer (Resettable, Magnet)  
: 8 Digit Totalizer (Reset from Internal)
- Engineer Unit : M3/Hr, M3/Min, M3/Sec, L/Hr, L/Min, L/Sec  
GPH, GPM, FT3/Hr, FT3/Min, FT3/Sec
- Current output : 4-20 mA (2 wire)  
Load : Rohm(Vdc-6)\*50
- Pulse Output
  - Without Display : Reed Switch (2 Wire, unscaled pulse)  
: 2-36 VDC, 500mA Max.
  - With Display : Open Collector (2 Wire, scaled pulse)  
: 11 to 26Vdc, 50 mA Max.
- Cable Entry : M20 (Female)
- Optional : Heating Jacket (Heat oil or Steam)  
: Strainers, T-Type or Y-Type  
: Air Vent
- Ambient Temperature : -25 to +60°C

#### ALIA TECHNOLOGY LLC

633 W. 5th Street, 26th Floor, Los Angeles, CA 90071, USA  
TEL : + 1 - 213 - 533 - 4139 FAX : + 1 - 213 - 223 - 2317

URL : [www.alia-inc.com](http://www.alia-inc.com)  
E-mail : [alia@alia-inc.com](mailto:alia@alia-inc.com)  
APF850.ID.v1.1.0



## GENERAL

ALIAPD APF860 series is designed in Roots technology with digit display for Totalizer & flowrate and providing scale pulse and analog output 4-20mA.

APF860 series Roots flowmeters are both high accuracy and easily adaptable to most industrial applications.

## FEATURES

- 25 - 150 mm (1" - 6") lines sizes
- Handles viscosities up to 50000 CP
- Wide range of application
- Various process connection types available
- 5 digit Totalizer (Resetable) / 8 digit Totalizer (LCD)
- 4-20 mA and pulse output
- High accuracy of +/-0.5% of reading (or +/-0.2% of reading)
- Display with auto sleep function that gets up to 6 yrs of Battery life



## STANDARD SPECIFICATION

- Size : 25, 40, 50, 80, 100, 150 mm
- Flow Range : 0.007 - 200 M3/Hr
- Accuracy : +/- 0.5% of reading (Standard)  
: +/- 0.2% of reading (Option)
- Repeatability : +/- 0.1% of reading
- Material
  - Body, Cover & Flange : Cast Iron / Stainless Steel 316
  - Roots : Aluminum / Copper / Stainless Steel 316
  - O-Rings : PTFE
  - Register Housing : Aluminum Alloy
- Max. Viscosity : 0.3 - 200 CP (Standard)  
: 201 - 50000 CP (Optional)
- Operating Temperature : -10 to 80°C  
: -10 to 120°C (Optional)  
: -10 to 180°C (Optional)
- Max. Pressure : 16 Kg/cm<sup>2</sup>
- Process Connection : Flange  
: JIS 10K#FF / ANSI 150#FF
- Power Supply : 3.6V Battery, Size D x 1 ea
- Battery Life : 3-6 years
- Protection Class : IP65  
: Intrinsically Safe (Unscaled pulse Output)  
: Explosion Proof, Ex d IIB T6
- Painting : Dark Grey
- Flow Range
  - 25mm : 0.4 - 6 M3/Hr @ 5CP
  - 40 mm / 50 mm : 0.8 - 13 M3/Hr @ 5CP
  - 80 mm : 1.8 - 25 M3/Hr @ 5CP
  - 80L mm / 100 mm : 2.5 - 50 M3/Hr @ 5CP
  - 100L mm : 8 - 120 M3/Hr @ 5CP
  - 150L mm : 25 - 200 M3/Hr @ 5CP
- Display
  - Flow Rate/Totalizer : 5 Digit Flow rate / 8 Digit Totalizer
  - Dual Totalizer : 5 Digit Totalizer (Resettable, Magnet)  
: 8 Digit Totalizer (Reset from Internal)
- Engineer Unit : M3/Hr, M3/Min, M3/Sec, L/Hr, L/Sec, GPM,  
: GPH, GPS, FT3/Hr, FT3/Min, FT3/Sec
- Current output : 4-20 mA (2 wire)  
Load : Rohm (Vdc-6)\*50
- Pulse Output
  - Without Display : Reed Switch (2 Wire, unscaled pulse)  
: 2-36 VDC, 500mA Max.
  - With Display : Open Collector (2 Wire, scaled pulse)  
: 11 to 26Vdc, 50 mA Max.
- Cable Entry : M20 (F)
- Optional : Heating Jacket (Heat oil or Steam)  
: Strainers, T-Type or Y-Type  
: Air Vent
- Ambient Temperature : -25 to +60°C

## GENERAL

**ALIAMAG** AMF500 Series is a wafer type electromagnetic flowmeter ideal for conductive liquids. It comes in sizes from 25 to 200 mm.

AMF500 is widely used for tap-water, waste water, food & beverage, pulp & paper and many other industrial fluid.

AMF500 Series electromagnetic flowmeter could be used in compact or separate model with AMC Series converter of electromagnetic flowmeter.

## FEATURES

- ☐ Light and compact version
- ☐ Flow Velocity range: 0-12 m/s, precise in low flow applications
- ☐ It comes any flanges such as ANSI, DIN, JIS... etc
- ☐ Excellent for high pressure application
- ☐ Protection class: IP68 available; sensor submersible
- ☐ FEP Liner is suitable for vacuum tube
- ☐ High accuracy of +/-0.4% value of reading (or +/-0.2% value of reading)
- ☐ With Forward / Reverse flowrate measurement function
- ☐ It has electrode cleaning function

## STANDARD SPECIFICATION

- |                         |  |                                      |  |
|-------------------------|--|--------------------------------------|--|
| ● Size                  | : 25, 32, 40, 50, 65, 80, 100, 125, 150, 200 mm  | ● Cable Entry                        | : Standard :PG11 Option:1/2"NPTF   |
| ● Measuring Range       | : Velocity 0-0.25 m/s min.<br>0-12 m/s max.  | ● Ambient Temperature                | : -25 to +60 °C  |
| ● Material              |  | ● Process Connection                 | : Wafer  |
| Measuring Tube          | : Stainless Steel 304  | ● Flange type                        | : JIS 10K / JIS 20K / JIS 40K<br>ANSI 150# / ANSI 300# / ANSI 600#<br>DIN PN 10 / PN 16 / PN25 / PN 40     |
| Coil Housing            | : Carbon Steel (Standard)<br>: Stainless Steel 304 (Option)<br>: Stainless Steel 316 (Option)                            | ● Grounding Resistance               | : Must be less than 10 Ω   |
| ● Liner                 | : FEP  | ● Accuracy                           | : +/-0.5% of reading (Velocity ≥ 0.5 m/s)<br>: +/-0.2% of reading<br>(Suitable for AMC3100 converter only) |
| ● Protection Class      | : Junction box IP67, Body IP68<br>: IP 68 (Submersible)  | : +/-0.0025 m/s (Velocity < 0.5 m/s) |  |
| ● Conductivity          | : More than 5 uS/cm  | ● Temperature                        | : -40 to +180 °C   |
| ● Electrode & Grounding | : Stainless Steel 316L<br>: Hastelloy B<br>: Hastelloy C<br>: Titanium<br>: Tantalum<br>: Tungsten Carbide<br>: Platinum | ● Max. Pressure                      | : 16 Kg/cm2 (Standard)<br>: 40 Kg/cm2 (Option)   |
|                         |  | ● Explosion Proof                    | : Exd(ib)IbqIIBT5<br>(with AMC3100/AMC3200 only)   |



● Compact with Converter



# ALIAMAG

## Converter For Electromagnetic Flowmeter

### Model AMC2100 Series

## GENERAL

**ALIAMAG** The Aliamag AMC2100 series converter is a microprocessor based intelligent transmitter that can be paired with any of the Alia AMF series sensors. The unit features multiple display parameters including flow rate, flow total, diagnostics, programming and troubleshooting.

## FEATURES

- Three line LCD display Flow Rate / Totalizer
- Accuracy of +/-0.4% value of reading
- Bi-directional flow measurement, current and pulse output
- Large digital display
- Records up to 99 power on/off time
- MODBUS/HART communication

## STANDARD SPECIFICATION

- Excitation : DC pulsed
- Display : 3 lines LCD with illumination
  - Line 1 : 11 digit totalizer for forward flow  
11 digit totalizer for reverse flow  
11 digit totalizer for difference
  - Line 2 : 5 digit flowrate / velocity / % / mA / HZ
  - Line 3 : Parameter / Query / Clr tot / Query LOG  
Alarm, Guidance
- Unit : M3/H, L/H, Kg/H, T/H, L/min, M3/min, GPH  
GPM, ML/H, ML/m, ML/sec
- Measuring Range : Min. 0 to 0.15 m/s  
: Max. 0 to 15 m/s
- Accuracy : +/-0.4% of reading (Velocity  $\geq$  0.5 m/s)  
: +/-0.002 m/s (Velocity < 0.5 m/s)
- Repeatability : +/-0.1% of reading
- Current Output : 4-20 mA (Isolated)  
Load : Max. 600  $\Omega$
- Pulse Output : Open collector  
Rating : 3 to 30 VDC, 20 mA Max.
- Pulse Rate : 1)Scale pulse (Pulse/M3, Pulse/L, Other)  
: 2)Frequency: 0-5000 Hz
- Pulse Width : 50% of band width
- Alarm : High/Low with open collector output  
Rating : 3 to 30 VDC, 20 mA Max.
- Communication : RS485 (MODBUS Protocol)  
: HART signal (Compatible)
- Data Storage : Operation parameters and totalizer  
figures are stored by EEPROM for more than 10 years
- Keypad : 3 external keys for programming and display control
- Low Flow Cutoff : 0 to 9.9 %
- Data Logger Function : 99 times flowrate records for power on/off
- Record Data : Date/Time when Power on/off  
: Flow rate when Power on/off  
: Totalizer when Power on/off
- Damping : 0 to 99 Seconds
- Density Setting : 0.1 to 9.99 g/cm3
- Self Diagnosis : The following error message are displayed if failure occurs
  - Coil failure
  - Power failure
  - Overranged output
  - Internal error
  - Overflow
  - Empty pipe
- Cable Entry : Standard :PG11 Option:1/2"NPTF
- Protection Class : IP 65
- Ambient Temperature : -25 to +65 °C
- Material : Aluminum Alloy
- Power Supply : 90-260 VAC, 50/60 Hz  
: 24VDC +/-10% (Option)
- Power Consumption : 3-17 W (Dependent on sensor size)
- Weight : 1.4 Kg
- Mounting : Wall mounting  
: Bracket on 2" pipe



● Compact with Sensor



## ALIA TECHNOLOGY LLC

633 W. 5th Street, 26th Floor, Los Angeles, CA 90071, USA  
TEL : + 1 - 213 - 533 - 4139 FAX : + 1 - 213 - 223 - 2317

URL : [www.alia-inc.com](http://www.alia-inc.com)  
E-mail : [alia@alia-inc.com](mailto:alia@alia-inc.com)  
AMC2100.ID.v1.1.0

## GENERAL

**ALIAPANEL** ARC800 Series Paperless Recorder features the most advanced technology. It can be applied across a broad scope of industrial applications. ARC800 is the product which with multi-channels, complete functions, easy operation, high accuracy, low power but high performance. And the series overcome the old-fashioned paperless recorder, which has less channels, multiple installation and space-consuming problem.

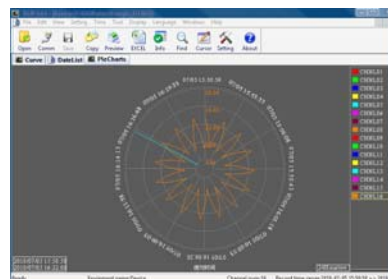
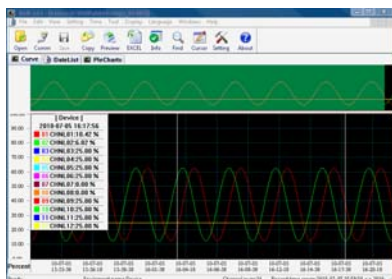
## FEATURES

- DIN Size (96mm\*96mm), 320\*240 Pixels, TFT truecolor (LCD)
- 4MB memory installed inside, applied to long terms data record
- Common input signal: mA, Include VDC, T/C, RTD, Hz etc.
- High Accuracy +/-0.15% of Reading
- 2 relay outputs, 1 (24VDC) power supply output
- 4 channels Max. input
- 24VDC Aux. Power supply available for 2 wires system
- Display / Record Single-point, Multi-point, Trend, Totalizer, Bargraph
- The recorded data could be stored in USB memory & SD memory card and transferred to computer for soft analysis



## STANDARD SPECIFICATION

- Number of Inputs : 1 / 2 / 4 Channels
- Input : T/C (K, S, B, E, J, N, T, R, N, etc.)  
: RTD, CU50, CU53, BA1, BA2  
: DCA (4-20 mA, 0-10 mA, 0-20 mA)  
: DCV ( 0-5V, 1-5V , 20mV, 100mV)  
: Frequency (1Hz ~ 5KHz)  
: Resistance (0-400 Ω)
- Accuracy : +/-0.15% of Span
- Response Time : 50 ms
- Alarm Types : High & Low alarm, Incr. & Decr. alarm
- Output : Relay, 3A/250V \* 2 points
- Digit Input : 2 Points Maximum
- Storage Memory : 4 MB (on board)
- Display Update Rate : 1 Second
- Recording Data Shift : USB memory (8GB) / SD Card (8GB)
- Advanced Software :
  - Display : 3.5" color-screen LCD
  - Trend & Bargraph : Vertical / Horizontal
  - Digital : 4-1/2 digits programmable
  - Engineer Unit : 66 different engineering units
  - Logging Rate : 1 Second ~ 1800 Seconds Per Data
  - Recording Capability : 72 Hours (4 Points, 1 Data/Second)
  - : 118 Years (1 Point, 1 Data/Hour)
  - PC Software : Windows 2000/XP/Vista/Win7
  - Display : Trend, Digital, Circular, Alarm, Bargraph  
Totalizer
  - Weight : 0.5 Kg Maximum
  - Dimensions : 96mm (W) \* 96 mm (H) \*110 mm (D)
  - Ambient Temperature : -10 ~ +60 °C
  - Power Supply : 85-260VAC, 50/60Hz
  - Communication : RS232



## GENERAL

ALIADP ADP9001 series is a digital differential pressure transmitter designed for industrial pressure measurement applications.

The ADP9001 can be configured to provide integrated solutions for a broad range of pressure and flow measurement applications.

## FEATURES

- Updating time of output current in 200 ms
- Improved performance, increased accuracy and greater stability
- Two years stability of 0.2%
- 0.15% accuracy
- Parameter setting by keypad directly
- 4-20 mA output plus direct digital HART communication
- Automatic zero calibration by press-button
- Explosion proof and weather proof housing
- Flow display is available

## STANDARD SPECIFICATION

- Process Fluid : Liquid, Gas or Vapor
- Application : Differential Pressure, Gauge Pressure, Absolute Pressure
- Measuring Range : 0~1.0 kPa Min. / 0~1000 kPa Max.
  - 3 : 0 - 1.0 kPa ~ 0 - 6.0 kPa
  - 4 : 0 - 6.0 kPa ~ 0 - 40 kPa
  - 5 : 0 - 40 kPa ~ 0 - 200 kPa
  - 6 : 0 - 160 kPa ~ 0 - 1000 kPa
- Turndown Ratio : 100 : 1
- Accuracy : +/- 0.15% of span
- Stability : +/-0.15% of URL for 2 years
- Working Temperature : -25 to +95 °C
- Max. Pressure : 4 MPa
- Material
  - Flange/Adapter : Stainless Steel 304
  - Drains/Vents : Stainless Steel 304
  - Diaphragm : Stainless Steel 316L
  - Wetted O-Ring : PTFE
  - Bolts & Nuts : Stainless Steel 316
  - Mounting Bracket : Stainless Steel 304
  - Name / Tag Plate : Stainless Steel 304
  - Converter Housing : Low copper cast aluminum alloy with polyurethane, light blue paint
  - Fill Fluid : Silicone
- Protection Class : Explosion proof Ex D IIB T5
- Display : 5 Digits programmable & 0-100% Bargraph  
Flow rate : 5 digit
- Display Unit : Standard 22 different engineering unit  
5 Digits programmable for special unit
- Keypad : 3 internal keys for programming and output setting
- Current Output : 4 - 20 mA 2 wires with Hart signal (Compatible)  
Load :  $R_{ohm} = (V_{dc} - 9) * 50$
- Power Supply : 9 - 36 VDC
- Damping : 0 - 32 seconds
- Response Time : 100 mS
- Mounting : Bracket on 2" Pipe
- Humidity Limit : 0 to 100% Relative Humidity
- Zero Calibration : Automatic zero calibration by press-button
- Cable Entry : M20 Conduit Threads
- Temperature Effect : +/-0.18% ~ +/-0.5% of span per 20 °C
- Vibration Effect : +/-0.05% of URL per g to 200 Hz in any axis
- EMI/RFI Effect : Follow SAMA PMC 33.1 from 20 to 1000 MHz and for field strengths up to 30 V/m
- Process Connection : 1/4" - 18 NPT
- Ambient Temperature : -25 to +80 °C
- Dimensions : 102 mm ( W ) \* 188 mm ( H ) \* 130 mm ( D )
- Weight : 3.5 Kg



## GENERAL

**ALIAPT** APT8000 series is a digital pressure transmitter designed for industrial pressure measurement applications. The APT8000 offer configurations for gauge pressure, absolute pressure and vacuum including integrated solutions for industrial applications.

## FEATURES

- Updating time of output current in 90 ms
- Improved performance, increased accuracy and greater stability
- Two years stability of 0.15%
- 0.075% accuracy
- Parameter setting by keypad directly
- 4-20 mA output plus direct digital HART communication
- Automatic zero calibration by press-button
- Explosion proof and weather proof housing

## STANDARD SPECIFICATION

- Process Fluid : Liquid, Gas or Vapor
- Application : Absolute Pressure, Gauge Pressure, Vacuum
- Measuring Range : 0 - 10 Kpa ~ 0 - 30 Kpa (Minimum)  
: 0 - 32 Mpa ~ 0 - 70 Mpa (Maximum)
- Turndown Ratio : 100 : 1
- Accuracy : +/- 0.075% of span
- Stability : +/-0.15% of URL for 2 years
- Working Temperature : -25 to +95 °C
- Max. Pressure : 70 Mpa
- Material
  - Connection : SUS 304 / SUS 316
  - Diaphragm : SUS 316L / Tantalum
  - Housing : Low copper cast aluminum alloy with polyurethane, light blue paint
  - Name / Tag Plate : Stainless Steel 304 / Stainless Steel 316
- Cable Entry : M20 Conduit Threads / 1/2" NPT (Female)
- Process Connection : 1/2" NPT, 1/2" BSP
- Temperature Effect : +/-0.18% ~ +/-0.5% of span per 20 °C
- Over Pressure Limit : 120% of Full Scale
- Vibration Effect : +/-0.05% of URL per g to 200 Hz in any axis
- EMI/RFI Effect : Follow SAMA PMC 33.1 from 20 to 1000 MHz and for field strengths up to 30 V/m



- Display : 5 Digits programmable & 0-100% Bargraph
- Display Unit : Standard 22 different engineering unit  
: 5 Digits programmable for special unit
- Keypad : 3 internal keys for Programming and output setting
- Current Output : 4 - 20 mA 2 wires with Hart Signal (Compatible)  
Load : Rohm=(Vdc-9)\*50
- Power Supply : 9 ~ 36 VDC
- Digital Communication : Hart Protocol
- Damping : 0 - 32 seconds
- Response Time : 100 mS
- Mounting : Direct installation or bracket on 2" Pipe
- Humidity Limit : 0 to 100% Relative Humidity
- Turn on Time : 2 Seconds with minimum damping
- Zero Calibration : Automatic zero calibration by push-button
- Ambient Temperature : -25 to +85 °C
- Dimensions : 102 mm ( W ) \* 160 mm ( H ) \* 130 mm ( D )
- Weight : 1.3 Kg
- Protection Class : IP67 (Standard)  
: Intrinsically Safe EEx ia IIC T5 (Standard)  
: Explosion proof Ex D IIB T5



# ALIA VALVE

## 2-Valve Manifolds / 3-Valve Manifolds / 5-Valve Manifolds

### Model AHV400 Series

#### GENERAL

**ALIA VALVE** AHV400 series manifolds feature a horizontal body design. Manifolds are constructed out of bar-stock and forged material in 316 Stainless Steel as Standard.

Standard models are available in 2-, 3-, 5-way configurations together with a full range of connection types; custom designs are available on demand.

Each manifold undergoes hydraulic pressure, pneumatic pressure, vacuum, vibration and thermal stability testing to ensure product integrity.

#### FEATURES

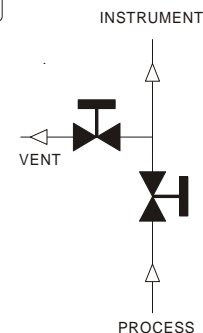
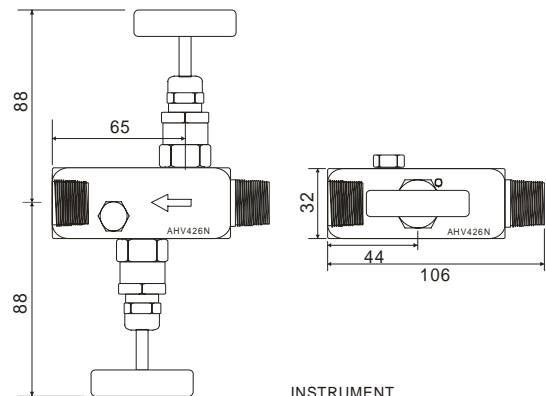
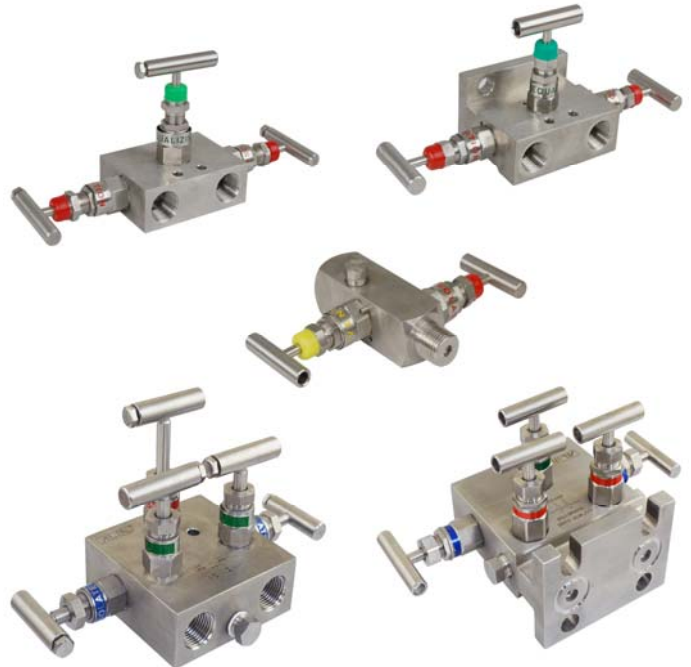
- All 316 Stainless steel construction
- Convenient method for blocking, exhausting, and calibrating pressure instruments
- Flange seals and flange bolts are included with manifold
- Designed for connecting system impulse line & transmitter
- Special hardened ball seat is ideal for both gas and liquid service
- All stem packing is located below to stem threads presenting galling, corrosion and contamination
- One piece construction for higher pressure

#### Double Block & Bleed Gauge Valves

Design for use with gauges, switch or pressure transmitter.

These gauge valve incorporates two-valve with single outlet that combines isolation, calibration and ventilation.

- Model : AHV426N
- Test Pressure : @ 25 °C Room Temperature
  - Hydrostatic : Body - 620 Bar
  - : Seat - 415 Bar
  - Pneumatic : Seat - 40 Bar
  - Gland Packing : PTFE
- Material
  - Body : Stainless Steel 316
  - Wetted parts : Stainless Steel 316
  - Plate : Stainless Steel 316
- Max. Temperature : 180 °C
- Connections
  - Process : 1/2" NPT (Male)
  - Instrument : 1/2" NPT (Female)



#### ALIA TECHNOLOGY LLC

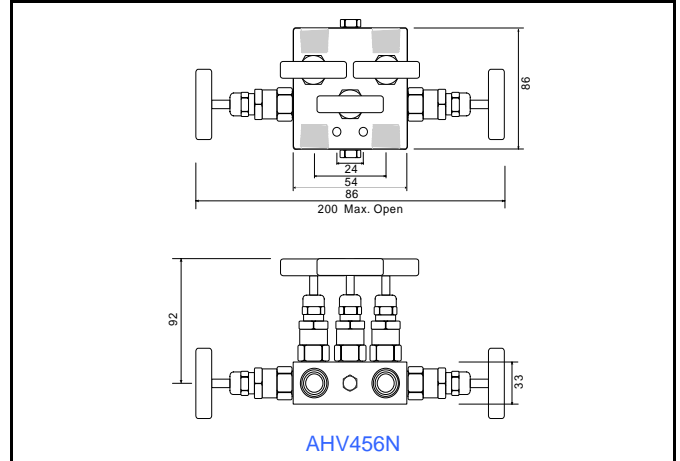
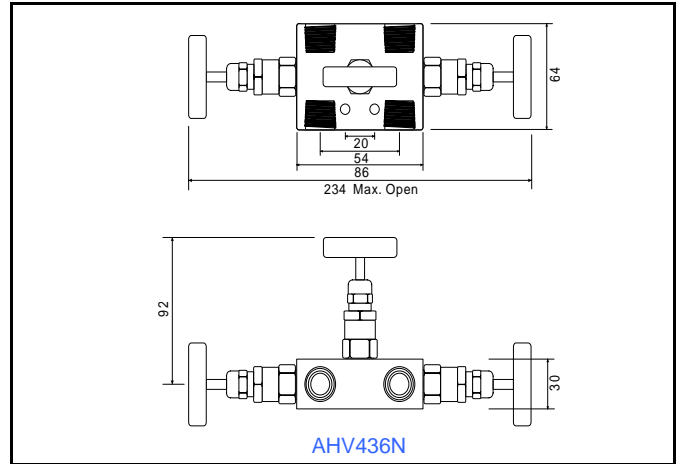
633 W. 5th Street, 26th Floor, Los Angeles, CA 90071, USA  
TEL : + 1 - 213 - 533 - 4139 FAX : + 1 - 213 - 223 - 2317

URL : [www.alia-inc.com](http://www.alia-inc.com)  
E-mail : [alia@alia-inc.com](mailto:alia@alia-inc.com)  
AHV400.ID.v1.1.0

**➤ Separately Mounted 3-,5-Valve Manifold**

Designed for applications to facilitate remote mounting of Differential Pressure instruments. Dimensions shown right are for the standard 54 mm or 2-1/8" instrument connection. Centre distance found in majority of instruments. Useful for installations in remote fields eliminating conventional method of piping.

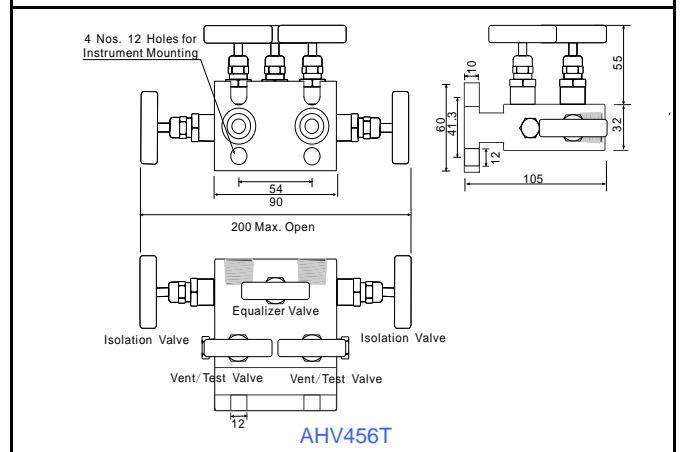
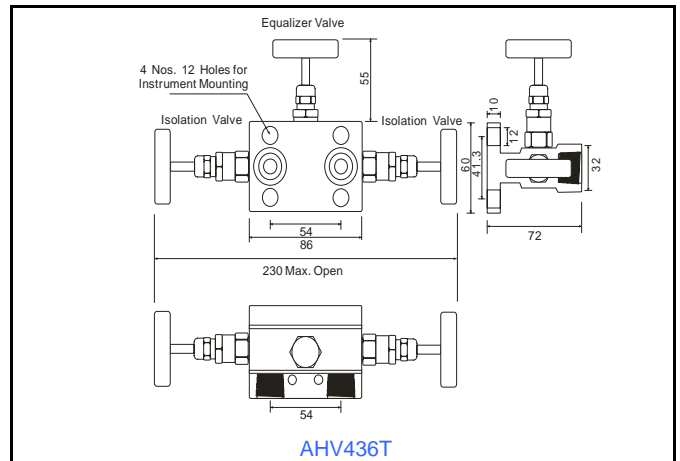
- Model : AHV436N / AHV456N
- Test Pressure : @ 25 °C Room Temperature
  - Hydrostatic : Body - 620 Bar
  - : Seat - 415 Bar
  - Pneumatic : Seat - 40 Bar
  - Gland Packing : PTFE
- Material
  - Body : Stainless Steel 316
  - Wetted parts : Stainless Steel 316
  - Plate : Stainless Steel 316
- Max. Temperature : 180 °C
- Connections
  - Process : 1/2" NPT (Female)
  - Instrument : 1/2" NPT (Female)



**➤ T-Type Direct Mounting 3-,5-Valve Manifold**

Designed for applications to facilitate remote mounting of Differential Pressure instruments. Dimensions shown above are for the standard 54 mm or 2-1/8" instrument connection. Centre distance found in majority of instruments. Useful for installations in remote fields eliminating conventional method of piping.

- Model : AHV436T / AHV456T
- Test Pressure : @ 25 °C Room Temperature
  - Hydrostatic : Body - 620 Bar
  - : Seat - 415 Bar
  - Pneumatic : Seat - 40 Bar
  - Gland Packing : PTFE
- Material
  - Body : Stainless Steel 316
  - Wetted parts : Stainless Steel 316
  - Plate : Stainless Steel 316
- Max. Temperature : 180 °C
- Connections
  - Process : 1/2" NPT (Female)
  - Instrument : Direct on instrument



## GENERAL

**ALIASONIC** AUL730 Series is a fixed mounted, Ultrasonic Level Transmitter with Fix-in the air and used for non-invasive measurement. Our microprocessor based, user friendly, field programmable level measurement technique allows no interruption of the process Level and has low installation costs.

## FEATURES

- Simple set-up and operation
- Fast and simple to install and configure
- Loop-powered 4-20mA output with Hart signal
- Low cost of installation and commissioning
- Non-contact level measurement
- Exclusive sensor for level transmitter
- Response time less than 1 second



## STANDARD SPECIFICATION

- Measuring Principle : Ultrasonic Level Measurement
- Measuring Range : 0-10 Meter, 0-15 Meter, 0-20 Meter  
: 0 -33 Ft, 0 - 50 Ft, 0 - 65 Ft
- Display : 4 Line LCD with Bargraph (Illumination)
- Resolution : 1 mm / 0.003 Ft
- Accuracy : +/-0.25% of Full Scale
- Repeatability : +/-0.1% of reading
- Material
  - Ultrasonic Tube : ABS
  - Sensor Head : Polyurethane (Standard) / ETFE / PTFE
  - Housing : ABS or Aluminum Alloy (Weather Proof)  
: Aluminum Alloy (Explosion Proof)
- Update Time : < 3 S
- Ambient Temperature : -20 ~ +60 °C
- Relative Humidity : 0 - 100% RH
- Sensor Frequency : 40KHz / 1KHz
- Blanking Distance : 0.35 M Max.
- Bean Angle : 6°
- Keypad : 4 Key with tactile action
- Response Time : Less than 1 second
- Protection Class : IP65(ABS) / IP67(Aluminum Alloy)  
: Explosion Proof, EX d (ia) II B T4
- Installation : G 2"and 20m sensor is M70\*2 Standard  
: Flange end (Optional)
- Process Temperature : -40 ~ +60 °C (Standard)  
: -40 ~ +100 °C (Optional)
- Process Pressure : -0.8 ~ +2.0 BarG
- Max. Cable Length : 50 Meter (Separate Version)
- Power Supply : 12-36VDC, 2 wires (Compact)  
: 12-36VDC / 85-260AC, 4 wire (Separate)
- Power Consumption : Less than 3W
- Output : 4-20 mA  
Load : Rohm=(Vdc-12)\*50 Ω
- Alarm : High/Low/High-High/Low-Low (Separate)
- Communication : RS485 Modbus, 4 Wire only (Standard)  
: Hart Signal (Optional)
- Temp. Compensation : Built-in to compensate over temperature range
- Data Storage : Operation parameters and totalization date are stored by EEPROM for more than 10 years
- EMI/RFI Effect : Follow SAMA PMC 33.1 from 20 to 1000 MHz and for field strengths up to 30 V/m
- Dimensions
  - Compact (ABS) : 105mm(W)\*262mm(H)\*168mm (D)
  - Compact (Aluminum) : 161mm(W)\*247mm(H)\*132mm (D)
  - Separate (ABS) : 183.5mm(W)\*218mm(H)\*125.5mm (D)
- Weight : 1.0Kg /2.2kg (compact), 2.2 Kg (Separate)



## GENERAL

**ALIASONIC** AUF790 Series is a fixed mounted, Open Channel ultrasonic flowmeter, with clamp-on transducer used for non-invasive measurement. Our microprocessor based, user friendly, field programmable flow measurement technique allows no interruption of the process flow and has low installation costs.

## FEATURES

- ❑ 4 line LCD display with flowrate, totalizer & Level condition
- ❑ V-notch, rectangular with and without end contractions, Cipolletti.
- ❑ Parshall, Palmer-Bowlus, Leopold-Lagco, trapezoidal, H.
- ❑ A sampler relay will signal your sampler to collect flow proportion
- ❑ High accuracy of +/-0.25% of Full Scale
- ❑ Non-contact flow measurement
- ❑ Exclusive sensor for open channel flow
- ❑ Response time less than 1 second

## STANDARD SPECIFICATION

- Measuring Principle : Ultrasonic Sound
- Measuring Range :
  - Level : 0-3 Meter
  - Flow Rate : 0-120000 m3/s
- Accuracy : +/-0.25% of Full Scale
- Repeatability : +/-0.1% of reading
- Material
  - Ultrasonic Tube : ABS
  - Sensor Head : Polyurethane (Standard) / ETFE / PTFE
  - Housing : ABS (Separate Version)
    - : Low copper cast aluminum alloy with polyurethane (Compact Version)
- Display : 4 Line LCD with illumination
  - Flowrate : 9 digits with decimal point
  - Totalizer : 9 digits
  - Level : 4 digits
  - Flow Engineer Unit : M3, Liter
    - Level : Meter / Feet
  - Time Unit : Second, Hour
    - Other : Signal condition
- Formula : V-notch, Parshall, Palmer-Bowlus
  - : rectangular, Cipolletti, Leopold-Lagco
- Sensor Frequency : 40KHz / 1KHz
- Temp Compensation : Built-in to compensate over temperature range
  - Low Level Cutoff : 0.000 ~ 1.000 Meter
  - Dead Band : 0.35 M Max.
  - Beam Angle : 6 °
  - Keypad : 4 Key with tactile action
  - Response Time : Less than 1 second
  - Ambient Temperature : -20 ~ +60 °C
  - Mounting : G2" (Standard) / Flange end (Optional)
  - Max. Cable Length : 50 M
  - Power Consumption : Less than 3W
  - Power Supply : 90 ~ 260Vac, 50/60 Hz (4wires)
    - : 18-36Vdc (4wires)
  - Data Storage : Operation parameters and totalization date are stored by EEPROM for more than 10 years
  - Output : 4-20 mA
    - Load : Rohm=(Vdc-12)\*50 W
  - Alarm : High/Low/High-High/Low-Low
  - Communication : RS-485 (modbus)
  - Dimensions :
    - Compact : 130mm (W) \*230mm (H) \*180mm (D)
    - Separate : 183.5mm (W) \*218mm (H) \*125.5mm (D)
  - Weight : 3.5 Kg (compact), 2.2 Kg (Separate)
  - Enclosure : IP65 (ABS) / IP67 (Aluminum Alloy)
    - : Explosion Proof, EX d (ia) II B T4





# ALIAPANEL

## Flow Computer

### Model AFC365 Series

## GENERAL

**ALIAPANEL** AFC365 Series Flow Computer is a microprocessor-based instrument designed to measure compensated flow in industrial environment. The AFC365 incorporates the Ideal Gas / Steam / Natural Gas compensation. The Backlit LCD display simplifies programming and clearly indicates all parameters as well as engineering units.



## FEATURES

- DIN Size (96mm\*96mm), 320\*240 Pixels, 4-line LCD display
- Built-in 8MB memory, applicable to long-term data record
- Common input signal: mA, RTD, Frequency etc.
- High Accuracy +/-0.1% of Reading
- 4-20mA / Relay / RS485 output
- Ideal Gas/ General Gas / Steam / Energy formula
- 24VDC Aux. power supply available for 2 wires system
- Fascia Sealing for IP65(NEMA 4X) water tight
- Hourly / Daily / Monthly / Yearly history data record

## STANDARD SPECIFICATION

- Number of Inputs : 3 Channels
- Flow Function
  - Input : 4-20 mA / Frequency (0-10 KHz)
  - Display : 5 digits flowrate with decimal point
  - : 13 digits totalizer with decimal point
  - Accuracy : +/-0.1% of reading
- Temperature Function : one or two point (Energy calculator)
  - Input: PT100 / 4-20 mA
  - Display : 4 digits temperature value with decimal point
  - Accuracy : +/-0.1 °C
- Pressure Function
  - Input : 4-20 mA
  - Display : 5 digits pressure value with decimal point
  - Accuracy : +/-0.1% of reading
- Calculation Function : Ideal Gas, Temperature & Pressure Comp.
  - : General Gases, Temp & Pressure Comp.
  - : Natural Gas, NX-19<sup>2</sup> Formula
  - : Saturated Steam, Superheated Steam
  - : Liquid Mass, Density calculation
- Alarm Types : High & Low alarm, Incr. & Decr. alarm
- Aux. Power Output : 12VDC / 24VDC, 100mA for Flow Transmitter
  - : 24VDC, 100mA for Temperature Transmitter
  - : 24VDC, 100mA for Pressure Transmitter
- Output : 4-20 mA, Load 750 Ω \* 1 point
  - : Relay, 3A/250V \* 1 point
- Display : 3.5" Mono-screen LCD with Backlit
- Response Time : 100 ms
- Keypad : 6 keys for programming and display control
- Engineer Unit : 21 different engineering units
- Parameter Protection : 2 Password entries (6 Digits) for Supplier and User
- Logging Rate : 1 minutes ~ 60 minutes Per Data
- Recording Capability : 30 days (1 Data/minutes)
  - : 1800 days (1 Data/Hour)
- Storage Memory : 8 MB (on board)
- Recycling Mode : Newest data overwrites oldest data
- Protection Class : NEMA4 / IP65 (Fascia sealing)
- Weight : 0.5 Kg Maximum
- Dimensions : 96mm (W) \* 96 mm (H) \*150 mm (D)
- Ambient Temperature : -10 ~ +60 °C
- Ambient Humidity : 10% ~ 85%RH (5 ~ 40 °C)
- Power Supply : 85-260VAC, 50/60Hz
- Vibration Test : 10~60Hz, 10 m/S<sup>2</sup> for 3 hours
- Power Consumption : ≤10 W
- Communication : RS485 (MODBUS Protocol)
- Parameter Storage : Operation parameters are stored by EEPROM for more than 10 years

## ALIA TECHNOLOGY LLC

633 W. 5th Street, 26th Floor, Los Angeles, CA 90071, USA  
TEL : + 1 - 213 - 533 - 4139 FAX : + 1 - 213 - 223 - 2317

URL : [www.alia-inc.com](http://www.alia-inc.com)  
E-mail : [alia@alia-inc.com](mailto:alia@alia-inc.com)  
AFC365.ID.v1.1.0



## GENERAL

**ALIACA** ACA60 is mainly designed for the calibration and maintenance of on-site industrial thermodynamic(al) instrument and their system. Its complete and practical functions are easily accessible. With latest extensive digital-converted integrative circuit and large-screen display, it is supplied with functions of output, measurement, ITS-90 query and 24VDC power supply, making it convenient for you to check and calibrate sensor, transmitter, displayed instruments, and control system on spot.

## FEATURES

- ❑ Large 2-line LCD with backlit display
- ❑ Sources and reads mA, mV, V, Ohms, RTD and frequency
- ❑ Keypad to enter output parameters directly
- ❑ Simultaneous millivolt display when in temperature measurement mode
- ❑ Small, streamlined shape, easy to carry and hold
- ❑ Thermocouple measurement/output with automatic or manual cold junction compensation
- ❑ Quick query to resistance & temperature, and millivolt & temperature
- ❑ 24VDC loop power supply
- ❑ Ni-MH battery available, continuous use for at least 6 hours
- ❑ Concurrent input/output, convenient to operate
- ❑ Temperature unit °C and °F available.

## STANDARD SPECIFICATION

- |                       |                                      |                      |  |
|-----------------------|--------------------------------------|----------------------|--|
| ● Source              | : VDC, mA, mV                        | ● Battery Type       | : NiMH Pack, 1800 mAh, 7.2VDC            |
|                       | : T/C(S, K, E, T, J, B, R, N, W325)  | ● Charger Supply     | : 90 ~ 260VAC 50/60 Hz                   |
|                       | : Frequency, 0-5000 Hz (4VDC)        | ● Power Consumption  | : 2W                                     |
|                       | : Resistance, 10Ω - 510Ω             | ● Accessory Included | : Test leads two pairs                   |
|                       | : 24VDC, 30mA Max.                   |                      | : Power Adaptor (90-260VAC, 50/60Hz)     |
| ● Read                | : VDC, mA, mV                        |                      | : Reinforced aluminum carrying case      |
|                       | : T/C(S, K, E, T, J, B, R, N, W325)  |                      | : Shoulder straps for carrying case only |
|                       | : Frequency, 0-5000 Hz (24 VDC Max.) | ● Dimension          |  |
|                       | : RTD(PT100, Cu50)                   | Calibrator           | : 231 * 104 * 45mm                       |
| ● Response Time       | : 80ms                               |                      | : 9.1" * 4.1" * 1.8"                     |
| ● Operating Temp.     | : -10 ~ +55 °C                       | Carrying Case        | : 330 * 250 * 150mm                      |
| ● Ambient Humidity    | : 0 - 90% RH non-condensing          |                      | : 13" * 9.8" * 6.0"                      |
| ● Display             | : 2" (128*64 Pixels), Backlight LCD  | ● Weight             | : 0.7 Kg                                 |
| ● Display Update Rate | : 4 / second                         | ● Enclosure          | : IP54                                   |
| ● Keyboard            | : 25 Membrane keyboard               |                      |  |
| ● Password Protection | : 4 Digits                           |                      |  |
| ● Battery Operation   | : 6-8 Hours                          |                      |  |
| ● Charge Time         | : 8-12 Hours                         |                      |  |





## GENERAL

**ALIACOM** AHT530 is a battery-powered, hand-held unit designed to configure, calibrate and troubleshoot to smart transmitter either remotely or nearby. AHT530 allows you to establish communication with a Hart field instrument over the existing 4-20 mA DC lines, covering the five process variables of flow, pressure, temperature and level, control valve etc.

## FEATURES

- Common to most smart field Instruments
- AA alkaline batteries or rechargeable battery available
- Battery operation time more than 100 Hours
- Low battery alarm
- Self-check function / Automatic power-off
- Large display (21 characters by 8 lines)
- Microprocessor-based field communicator
- USB port to charge

## STANDARD SPECIFICATION

- Display : LCD dot matrix, 21 characters \* 8 lines
- Keypad : 20 general keys, one power switch
- Signal Connection : Alligator clip or grabber clip  
Cable Length : 1.5 M
- Function : Display, setup and alteration of parameter  
: Zero point adjustment, calibration  
: Auto power-off
- Communication Line  
Line length : Up to 1500 M  
Load Resistance : 250 to 600 ohm  
Load Capacitance : Less than 0.22 uF  
Load Inductance : Less than 3.3 mH
- Power Consumption : 191.3mA (Working state)  
: 1uA (Power-off state)
- Material :  
Case : ABS resin  
Keyboard : Polycarbonate
- Protection Class : IP54
- Operating Temperature : -20 °C ~ 55 °C
- Storage Temperature : -20 °C ~ 65 °C
- Ambient Humidity : 90% RH or less



- Power  
Battery : Three AA alkaline Batteries  
: Three Ni-MH Batteries (Rechargeable)  
Operable Time : Alkaline Battery: Up to 150 Hours  
: Ni-MH battery: Up to 100 Hours  
Charge up time : Less than 12 Hours
- Dimensions : 231mm(L) x 102mm(W) x 61mm (H)
- Battery Charger : USB connect with computer  
: 90-260 VAC, 50/60 Hz
- Weight : 0.4Kg (Communicator)  
: 1 Kg (Including accessories)
- Standard Package :  
: ATH530 Hart Communicator \* 1set  
: Communication cable 1.5m \* 1 pair  
: USB connector 1.5M (Charge) \* 1 set  
: Ni-MH Battery 1.5V \* 3 pcs  
: Power Adapter 90-260Vac \* 1 set  
: Alligator Clip \* 1 pair  
: Grabber clip \* 1 pair  
: Shoulder bag \* 1 set



## GENERAL

**ALIAPT** APT3000 series pressure transmitter for general industrial application is the ideal solution for customers with demanding measuring requirements. APT3000 very high quality product, which even the most adverse environmental conditions cannot affect.

The APT3000 offers continuous measuring ranges between 0-0.1 and 0-1000bar in all the major units. These measuring ranges can be combined in the standard industry output signal. Application to machine building, Hydraulics, pneumatics, pumps, chemical industry.

## FEATURES

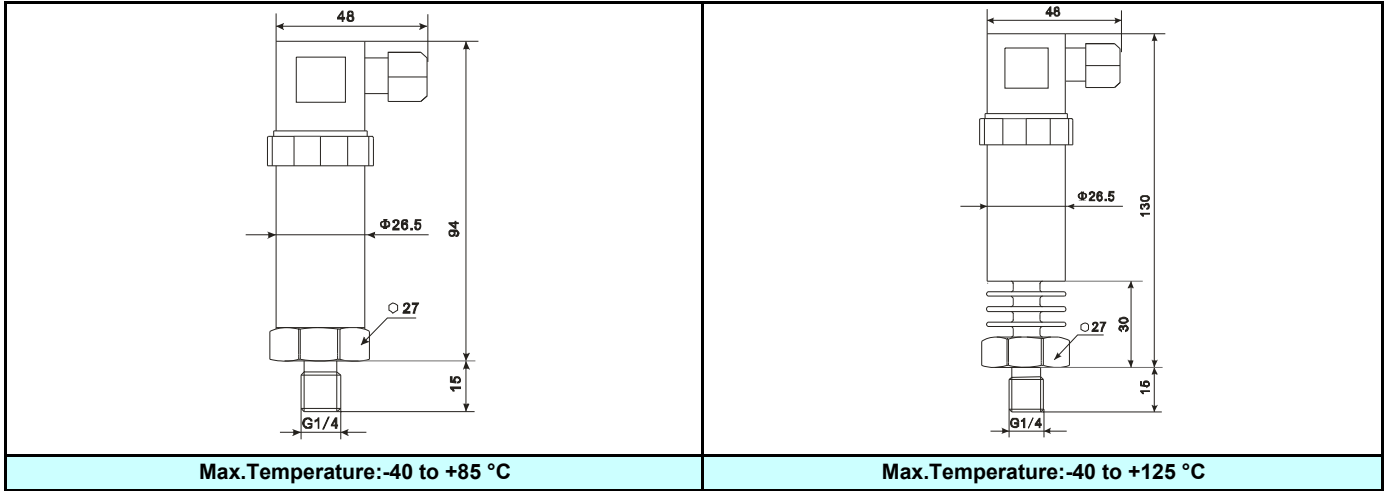
- Improved performance, increased accuracy and greater stability
- Non-linearity 0.2% of span (BFSL)
- Measuring ranges from 0 - 0.1 bar ~ 0 - 1000 bar
- Output signal: 4-20 mA(2 wires)
- Zero point and span adjustable via internal potentiometer
- Electrical connections: Angular connector

## STANDARD SPECIFICATION

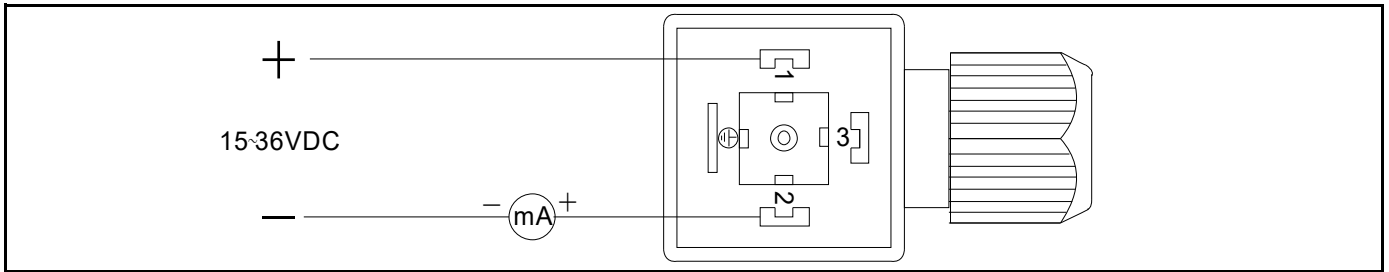
- |                        |   |                        |  |
|------------------------|---|------------------------|--|
| ● Process Fluid        | : Liquid, Gas or Vapor  | ● Response Time        | : ≤1ms   |
| ● Application          | : Absolute Pressure, Gauge Pressure, Vacuum                                     | ● Output Response Time | : ≤8ms   |
| ● Measuring Range      | : 0 - 0.1 bar ~ 0 - 1000 bar  | ● Current Output       | : 4 - 20 mA 2 wires<br>Load: Rohm=(Vdc-15)*50  |
| ● Accuracy             | : +/- 0.50% of span   | ● Power Supply         | : 15 - 36 VDC  |
| ● Non-Linearity        | : ≤0.2% of span (BFSL)  | ● Material             | Connection : Stainless steel SUS 316<br>Diaphragm : Stainless steel SUS 316L<br>Body : Stainless steel SUS 304<br>Fill Fluid : Synthetic oil<br>Wetted O-ring (inside) : Viton |
| ● Non-Repeatability    | : ≤0.05% of span  | ● Electrical Connector | Electrical Connector : PA66+30%FV<br>Ingress Protection : IP 65<br>Wire Cross-section : Max. 1.5mm <sup>2</sup><br>Cable Diameter : 6-8mm                                      |
| ● Stability            | : ≤ +/-0.2% of URL for 1 year   | ● Ambient Temperature  | : -20 to +80 °C  |
| ● Working Temperature  | : -40 to +85 °C (Standard)<br>-40 to +125 °C (Option)                           | ● Humidity Limit       | : 5 to 95% Relative Humidity   |
| ● Compensation Temp.   | : -10 to +70 °C   | ● EMI/RFI Effect       | : Follow SAMA PMC 33.1 from 20 to 1000 MHz and for field strengths up to 30 V/m  |
| ● Temp. Effect of zero | Ranges ≤ 0.25bar : ≤0.4% FS/10K<br>Ranges > 0.25bar : ≤0.2% FS/10K              | ● Dimensions           | Standard : 48 mm ( W ) * 94 mm ( H ) * 34 mm ( D )<br>High Temperature : 48 mm ( W ) * 130 mm ( H ) * 34 mm ( D )  |
| ● Temp. Effect of span | : ≤0.2% FS/10K  | ● Weight               | : approx 0.2 Kg / 0.3Kg  |
| ● Vibration Resistance | : 20g (20~2000Hz) per IEC 60068-2-6   |                        |  |
| ● Shock Resistance     | : 100g (10ms)   |                        |  |
| ● Adjustability        | Zero Point : +/- 3%<br>Span : +/- 15%   |                        |  |
| ● Process Connection   | : G1/4 (Standard)<br>1/2"NPT, 1/2" BSP, M20, 3/4"NPT<br>3/4"BSP ...etc (Option) |                        |  |
| ● Intrinsically Safe   | : Ex ia IIC T6 (Standard)   |                        |  |



**➤ DIMENSIONS**



**➤ WIRING DIAGRAM**



**➤ MEASURING RANGE**

Range Code	Pressure Range	Range Code	Pressure Range	Range Code	Pressure Range	Range Code	Pressure Range
1	0 - 0.1 bar	6	0 - 1.6 bar	B	0 - 16 bar	G	0 - 250 bar
2	0 - 0.2 bar	7	0 - 2.5 bar	C	0 - 25 bar	H	0 - 400 bar
3	0 - 0.35 bar	8	0 - 4 bar	D	0 - 60 bar	J	0 - 600 bar
4	0 - 0.7 bar	9	0 - 6 bar	E	0 - 100 bar	K	0 - 1000 bar
5	0 - 1 bar	A	0 - 10 bar	F	0 - 160 bar		

Overpressure Limit: Range code 1 to F :200%FS Range code G to K :150%FS

**➤ MODEL SELECTION GUIDE**

APT3000 Series					
Example: APT3000-G9N-1/2NPT					
APT3000-	X	X	X	-XXXXX	Description
Type	G				Gauge Pressure Transmitter
	A				Absolute Pressure Transmitter *Note
Pressure Range	1 - K				Please see MEASURING RANGE
Max. Temperature	N				-40 to +85 °C
	H				-40 to +125 °C
Connection				-NNNNN	G1/4 (Standard)
				-XXXXX	1/2NPT, 1/2BSP, M20...etc (with Adaptor)

● Note: Absolute Pressure Transmitter only for range code 5 to B



Thickness Gauge



Ultrasonic Open Channel



Ultrasonic Transmitter



Magnetic Flowmeter



P/D Flowmeter



HART Communicator



Temperature Transmitter



Multi-Function



Valve Manifolds



D/P Transmitter



Pressure Transmitter



Humidity Transmitter



Flow Computer



Paperless Recorder



633 W. 5th Street, 26th Floor, Los Angeles, CA 90071, USA

Tel: +1-213-533-4139 Fax: +1-213-223-2317

