



QUALITY ELECTRODE HOLDERS

"AF"/"HT" Series

LENCO electrode holders are designed to fit comfortably in the welder's hand. Each design allows the LENCO electrode holder to fit a welder's hand like a glove and provide superior electrode control.

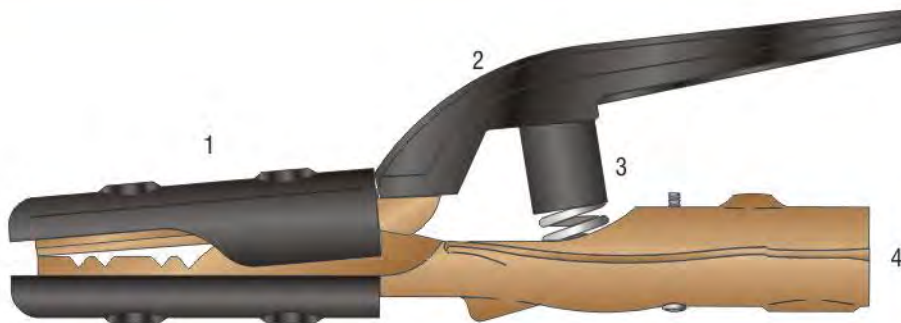
ROHS Compliant

Choosing The Right Size...

ELECTRODE HOLDER

The choice of an electrode holder that will be lightweight, run cool, and at the least cost can be determined first by the maximum rod used and second, by the maximum amperage setting used. LENCO holder numbers indicate the amperage capacity. For example, an AF-2 holder has a maximum amperage capacity of 250 amps. Match the holder to the rod and amperage used for greatest efficiency.

LENCO "AF"/"HT" Series Electrode Holders Offer All These Features



1. LENCO's durable tip insulators are molded from a high impact/high temperature fiberglass compound.
2. The upper lever is fully insulated. The low profile "AF" Series design fits your hand comfortably while the "HT" Series allows greater hand clearance.
3. LENCO's powerful spring holds the electrode securely in place and prevents electrode slippage. The spring is protected by a Lexan cup insulator.
4. LENCO's specially designed oval-point screw makes it easy to install our holder on a cable. Just strip off the appropriate length of cable insulation and insert it into the holder body, then tighten down the large oval-point screw with an allen wrench. This makes an excellent connection. As a safety precaution, the handle retention screw is upset to prevent removal.

Material Construction

AF/HT-2, 25, 3, 35 and 50 holder handles are molded from a durable glass filled nylon material with excellent heat and impact resistance.



LENCO electrode holders (upper and lower tongs) are made from a high copper alloy for maximum conductivity and strength. The top and bottom tip insulators are a molded fiberglass compound and will withstand intensive heat and impact. Parts for all models are replaceable. The oval-point screw cable connection is standard on all models.



QUALITY ELECTRODE HOLDERS

Light, Medium, and Heavy Duty Models



	Model	Item Code No.	Amp Capacity	Cable Capacity	Electrodes Up To	Length	Weight
Light Duty	AF-2	01020	200-250	1/0 (50mm ²)	5/32" (3.97mm)	8¼" (210mm)	12 oz. (345g)
Medium Duty	AF-25	01030	250-300	2/0 (70mm ²)	3/16" (4.75mm)	8½" (216mm)	16 oz. (450g)
	AF-3	01040	300-350	2/0 (70mm ²)	¼" (6.35mm)	10" (254mm)	21 oz. (600g)
Heavy Duty	AF-35	01050	350-400	3/0 (70mm ²)	¼" (6.35mm)	10" (254mm)	24 oz. (680g)
	AF-50	01060	450-500	4/0 (95mm ²)	3/8" (9.53mm)	10½" (267mm)	31 oz. (880g)
Light Duty	HT-2	01320	200-250	1/0 (50mm ²)	5/32" (3.97mm)	9" (229mm)	13 oz. (360g)
Medium Duty	HT-25	01330	250-300	2/0 (70mm ²)	3/16" (4.75mm)	9¾" (248mm)	19 oz. (540g)
	HT-3	01340	300-350	2/0 (70mm ²)	¼" (6.35mm)	10½" (267mm)	23 oz. (650g)
Heavy Duty	HT-35	01350	350-400	3/0 (70mm ²)	¼" (6.35mm)	10½" (267mm)	24 oz. (680g)
	HT-50	01360	450-500	4/0 (95mm ²)	3/8" (9.53mm)	10½" (267mm)	31 oz. (880g)

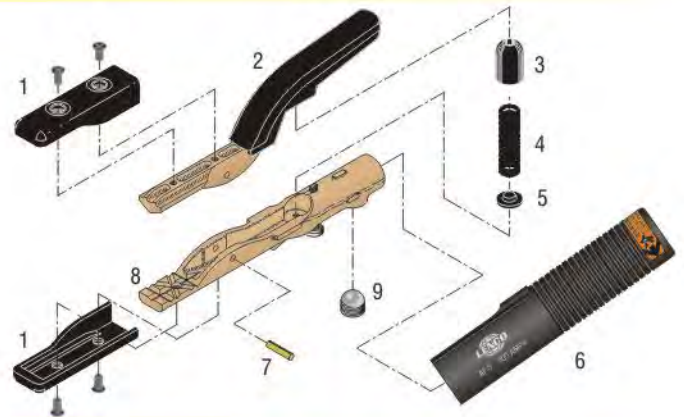
Holders may be custom imprinted with company name.

Holder Replacement Parts

Replacement parts for all LENCO electrode holders are available and easily installed. Select the parts you need from the illustration. Part names are shown below and the part number is under the holder number in the same column.

ELECTRODE HOLDER

1. Tip Insulator w/Screws
2. Upper Body Tong, Insulated
3. Spring Cup Insulator
4. Spring Set (with items 3 & 5)
5. Spring Flat Insulator
6. Molded Handle
7. Hinge Pin
8. Lower Body Tong
9. Oval-Point Screw



"AF"/"HT" - Series

Item No.	Description	Electrode Holder Model and Item Code No.									
		AF-2	HT-2	AF-25	HT-25	AF-3	HT-3	AF-35	HT-35	AF-50	HT-50
1	Tip Insulator, w/Screw	01325	01325	01325	01325	01335	01335	01335	01335	01335	01335
2	Upper Body Tong	01021	01321	01031	01331	01051	01341	01051	01341	01051	01341
3	Spring Cup Insulator	01027	01071	01071	01337	01071	01337	01071	01337	01071	01337
4	Spring Set, w/Insulators (Lexan Cup & Flat Insulator)	01026	01324	01034	01334	01054	01334	01054	01334	01069	01364
5	Spring Flat Insulator			01070	01070	01070	01070	01070	01070	01070	01070
6	Molded Handle	01023	01323	01033	01333	01042	01343	01053	01353	01066	01363
7	Hinge Pin	01214	01214	01214	01214	01223	01223	01223	01223	01223	01223
8	Lower Body Tong	01022	01022	01032	01032	01041	01041	01052	01052	01062	01062
9	Oval-Point Screw	01025	01025	01025	01025	01225	01225	01068	01068	01068	01068
	Tip Insulator Screws, doz.	01065	01065	01065	01065	01065	01065	01065	01065	01065	01065



FULLY INSULATED DURO HOLDERS

Light, Medium, and Heavy Duty Models

DEPENDABLE ELECTRODE HOLDERS

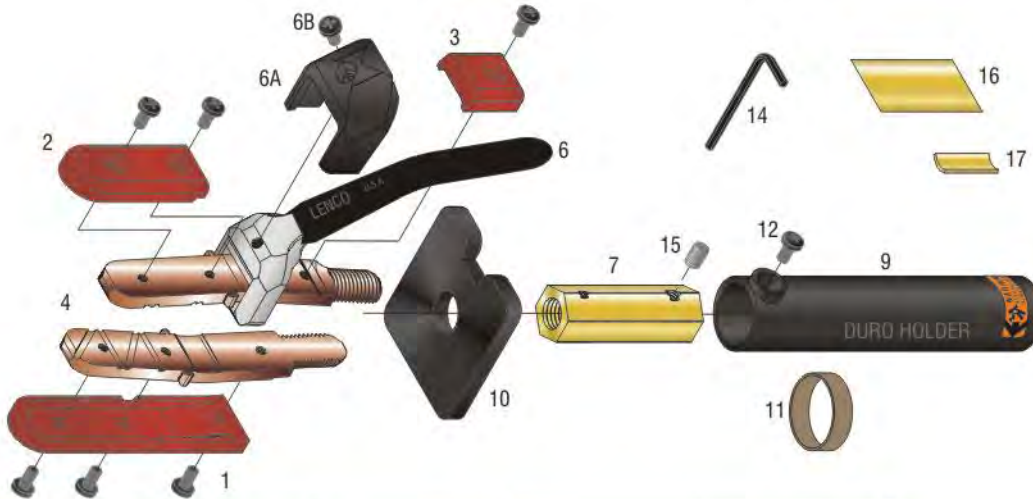
Duro has produced dependable and efficient holders since 1932. They are lightweight and perfectly balanced to make working less awkward no matter where the weld must be made. The jaws are made with a unique internal tension design which is extremely durable. The positive energy saving grip of the jaws holds large or small electrodes equally well. All parts are easily replaced using a screwdriver and wrench. Check these features:



“This is the Original Duro Product.”

- Unique internal tension design lasts longer
- Positive grip jaws hold small or large electrodes
- Easily replace parts quickly using only screwdriver and wrench
- No coil spring to lose its tension
- Safe, square guard protects hands from heat; prevents rolling and grounding when set down
- Screw-in type jaws replaced with only a wrench
- Cool operating and cool handling

	Model	Item Code No.	Amp Capacity	Cable Capacity	Electrodes Up To	Length	Weight
Light Duty	250-I	016250	250	1/0 (50mm ²)	3/16" (4.75mm)	9-1/2" (241mm)	13 oz. (360g)
Medium Duty	300-I	016300	300	2/0 (70mm ²)	1/4" (6.3mm)	11-5/8" (295mm)	20 oz. (570g)
Heavy Duty	400-I	016400	400	3/0 (70mm ²)	5/16" (7.9mm)	12-1/4" (311mm)	24 oz. (677g)
	600-I	016600	600	4/0 (95mm ²)	3/8" (9.5mm)	13-1/4" (337mm)	36 oz. (1kg)



DESCRIPTION	ITEM NO.	#250-I	#300-I	#400-I	#600-I
Bottom Jaw Insulator	1	016251	016301	016401	016401
Top Jaw Insulator - Large	2	016252	016302	016402	016402
Top Jaw Insulator - Small	3	016253	016303	016403	016403
Jaws - Plain (upper & lower)	4	016254	016304	016404	016404
Jaws with Insulators		016255	016305	016405	016405
Trigger - Plain	6	016256	016256	016256	016256
Trigger Insulator Cover	6A	016256A	016256A	016256A	016256A
Trigger Insulator Screw - 6 pcs	6B	016256B-6	016256B-6	016256B-6	016256B-6
Brass Core w/Hardware Kit	7	016257	016307	016407	016607
Trigger with Insulator		016258	016258	016258	016258
Handle	9	016259	016309	016409	016609
Guard	10	0162510	016310	016410	016410
Rubber Insulator for Handle Screw	11	N/A	016311	016311	016311
Handle Screw	12	0162512	016312	016312	016312
Screw for Jaw Insulation - 6 pcs		016256B-6	016256B-6	016413-6	016413-6
Screw for Jaw Insulation - 100 pcs		016256B-100	016256B-100	016413-100	016413-100
Allen Wrench	14	0162514	0162514	0162514	016614
Set Screw for Core	15	0162515	0162515	0162515	016615
				Uses 2	Uses 2
Brass Foil	16	0162516	0162516	0162516	0162516
Curved Brass Piece	17	0162517	0162517	0162517	0162517



QUALITY ELECTRODE HOLDERS

"Twister" and Isolator Electrode Holder



The LT-250/400 design minimizes exposed screws, internal metal parts or any current carrying members in the holder for added user safety.



	Model	Item Code No.	Amp Capacity	Cable Capacity	Electrodes Up To	Length	Weight
Medium Duty	LT-250	01420	250	2/0 (70mm ²)	3/16" (4.75mm)	8" (203mm)	11 oz. (310g)
	RHA-250*	01430	250	—	3/16" (4.75mm)	3-1/2" (89mm)	5.4 oz. (153g)
Heavy Duty	LT-400	01410	400	3/0 (70mm ²)	1/4" (6.35mm)	8-15/16" (227mm)	22 oz. (624g)
	RHA-400*	01400	400	—	1/4" (6.35mm)	4-1/8" (105mm)	9 oz. (255g)

*MODEL RHA-250/400 Replaceable Head Only

Holders may be custom imprinted with company name.

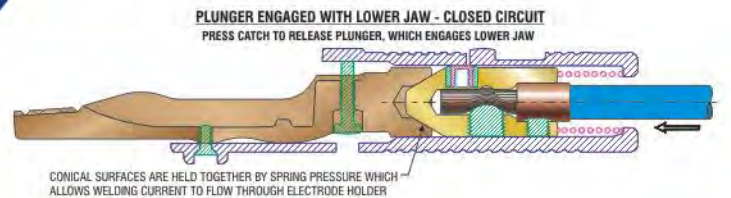
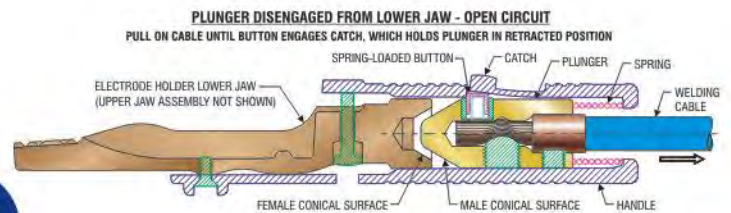
LT-250/400 Holder Replacement Parts



Item No.	Description	LT-250 Item Code No.	LT-400 Item Code No.
1.	Head Insulator	01422	01472
2.	Head Insulator Screw	01485	01485
3.	Head Member	01427	01477
4.	Spring Cup	01425	01284
5.	Spring Coil	01426	01286

Item No.	Description	LT-250 Item Code No.	LT-400 Item Code No.
6.	Handle	01424	01474
7.	Pressure Pin	01423	01481
8.	Brass Body w/Screws	01432	01482
9.	Pressure Pin Screw	01485	01485
10.	Oval-Point Screw (2)	01025 (1)	01025 (2)

Isolator Holders



Model	Item Code No.	Description
IS-25	01525	AF Style Isolator w/cable
ISH-25	01555	HT Style Isolator w/cable

FEATURES

- Electrode holder with locking mechanism
- Helps protect user from OCV
- Safely reinsert electrode and position into tight, difficult areas
- Available in AF or HT style holders, designed for 250 amps using 3/16" electrode maximum
- Complete with 12' of No. 2 cable & LC-1040 male connector or optional *Dinse* Style connector.