



figure

120

ends  
formwafer type  
straight

# UNIDIRECTIONAL WAFER KNIFE GATE VALVE zGAT



body material	nominal pressure	nominal diameter	max. temperature
A grey cast iron	B 10 bar	DN 50-1200*	90°C

\* DN 700-1200 on client's request

## FEATURES

- one-piece cast body with guides to support gate and seat wedges
- provides high flow rates with low pressure drop
- various seat and packing materials available
- available with different control options
- full flow, no dead zones

## APPLICATION

- liquids contain a maximum of 5% suspended solids installations
- dry solids installations
- installations with concentration of loose sludge not higher than 35%
- pulp industry

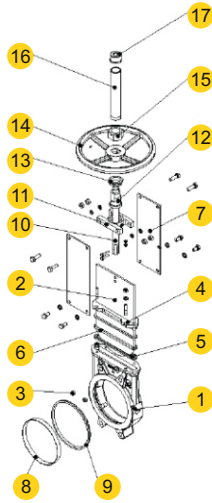
Data given can be changed without notice.

Edition 06/2016



figure	120
ends form	wafer type straight

## MATERIALS



	body material	A
	type	01
1	body	EN- GJL- 250 5.1301 (ex. JI1040)
2	gate	X5CrNi18-10
3	guide	Polietylen RCH1000
4	packing gland	EN-GJS-500-7
5	packing	SYNT+PTFE
6	O-ring	EPDM
7	support plates	S275JR
8	ring	X5CrNiMo17 12.2
9	seat	X5CrNiMo17 12.2 *
10	stem	X8CrNiS18-9
11	yoke	carbon steel
12	stem nut	CuSn7ZnPb
13	check nut	carbon steel + zinc
14	handwheel	EN-GJS-500-7 5.3200 (Js1050)
15	nut	carbon steel
16	hood	carbon steel
17	top cap	plastic
max. temperature		90°C

\* on request : EPDM, NBR, SILICONE, PTFE, VITON

Data given can be changed without notice.

Edition 06/2016



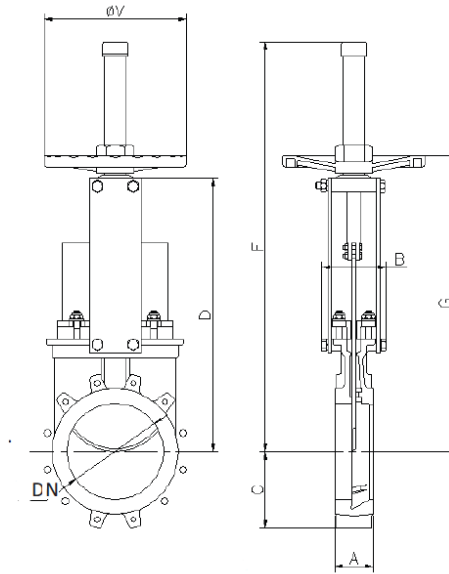
figure

120

ends  
form

wafer type  
straight

## DIMENSIONS



DN	A	B	C	D	F	G	Ø stem	ØV	moment obrotowy	
mm									Nm	kg
50	40	91	61	241	410	280	20x4	225	1,86	7
65	40	91	68	268	437	308	20x4	225	3,14	8
80	50	91	91	294	463	333	20x4	225	4,76	9
100	50	91	104	334	503	373	20x4	225	7,43	11
125	50	101	118	367	586	407	20x4	225	11,6	13
150	60	101	130	419	638	458	20x4	225	11,7	17
200	60	118	159	525	816	578	25x5	325	26,1	28
250	70	118	196	626	1017	679	25x5	325	29,2	40
300	70	118	230	726	1117	779	25x5	325	42,1	56
350	96	290	254	797	1337	906	35x6	450	62,3	94
400	100	290	287	903	1443	1012	35x6	450	81,6	116
450	106	290	304	989	1629	1098	35x6	450	77,7	162
500	110	290	340	1101	1741	1210	35x6	450	96,5	191
600	110	290	398	1307	2047	1416	35x6	450	139,9	264
700	110	320	453	1506	2246	1656	50x8	620	180,1	441
800	110	320	503	1720	2560	1870	50x8	620	237,8	568
900	110	320	583	1953	2893	2108	50x8	620	300,9	736
1000	110	320	613	2137	3177	2287	50x8	800	374,9	921
1200	150	340	728	2616	3856	2766	60x9	800	642,5	1350

Data given can be changed without notice.

Edition 06/2016



figure	<b>120</b>
ends form	wafer type straight

## TYPES

figure	body material	nominal diameter DN	nominal pressure PN	type
120	A grey cast iron EN-GJL-250	50-150 mm	B 10 bar	01 * wafer type; gate, stem - stainless steel * seal - metal/metal PS 10 bar Tmax 90 °C
		200-300 mm	B 10 bar	01 * wafer type; gate, stem - stainless steel * seal - metal/metal PS 7 bar Tmax 90 °C
		350-600 mm	B 10 bar	01 * wafer type; gate, stem - stainless steel * seal - metal/metal PS 4 bar Tmax 90 °C
		700-1200 mm	B 10 bar	01 * wafer type; gate, stem - stainless steel * seal - metal/metal PS 2 bar Tmax 90 °C

## ORDERING

To place an order please use our product number (index)



### ORDER EXAMPLE

	120	A	050	B	01
unidirectional wafer knife gate valve , ends wafer type, form straight	120				
grey cast iron EN-GJL-250		A			
nominal diameter DN50			050		
nominal pressure PN10				B	
wafer type; gate, stem - stainless steel, seal - metal/metal PS 10 bar					01