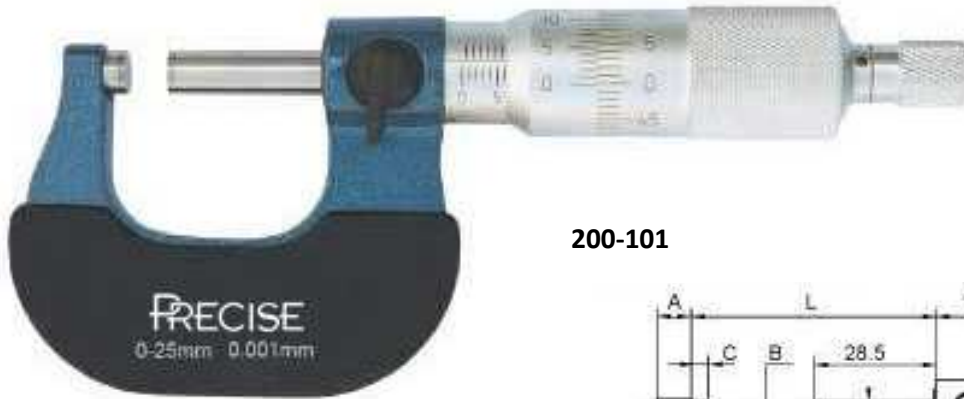
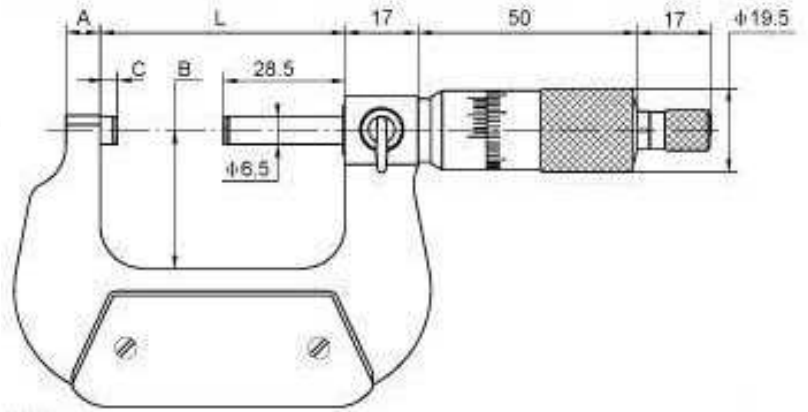


Outside Micron Micrometer



200-101



FEATURES:

- No parallax vernier scale for high precision measuring.
- Carbide measuring face. Painted frame.
- Ratchet stop.
- Resolution: 0.001mm / 0.0001"

SPECIFICATIONS:

Model	Range (mm)	Model	Range (Inch)	Accuracy (mm)	A (mm)	C (mm)	B (mm)	L (mm)
200-201	0-25	200-201-1	0-1	0.004	6	3.0	24	32
200-202	25-50	200-202-1	1-2	0.004	8	3.0	32	57
200-203	50-75	200-203-1	2-3	0.005	8	3.0	45	82
200-204	75-100	200-204-1	3-4	0.005	8	3.0	57	107
200-205	100-125	200-205-1	4-5	0.006	8	3.0	70	133
200-206	125-150	200-206-1	5-6	0.006	8	3.0	82	158
200-207	150-175	200-207-1	6-7	0.007	8	5.5	95	183
200-208	175-200	200-208-1	7-8	0.007	8	5.5	107	209