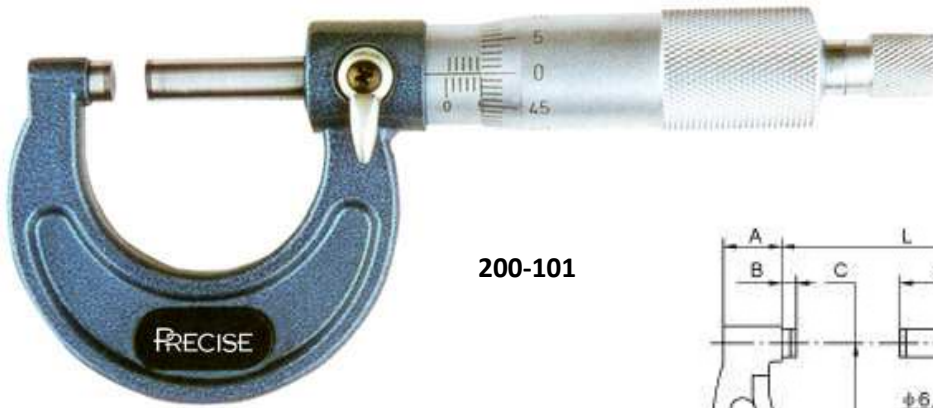
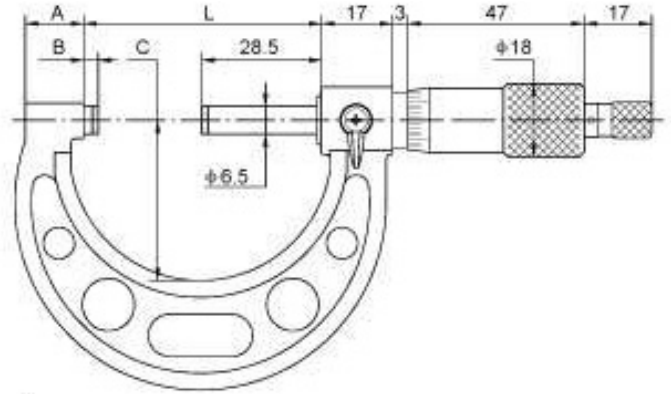


# Outside Micrometer



200-101



**FEATURES:**

- Carbide measuring face. Painted frame.
- Ratchet stop.
- Resolution: 0.01mm / 0.0001"

**SPECIFICATIONS:**

Model	Range (mm)	Model	Range (Inch)	Accuracy (mm)	A (mm)	B (mm)	C (mm)	L (mm)
200-101	0-25	200-101-1	0-1	0.004	9	3.0	28	32
200-102	25-50	200-102-1	1-2	0.004	14	3.0	38	57
200-103	50-75	200-103-1	2-3	0.005	15	3.0	49	82
200-104	75-100	200-104-1	3-4	0.005	15	3.0	60	107
200-105	100-125	200-105-1	4-5	0.006	16.5	3.0	73	133
200-106	125-150	200-106-1	5-6	0.006	16.5	3.0	85	158
200-107	150-175	200-107-1	6-7	0.007	19.4	5.5	104	183
200-108	175-200	200-108-1	7-8	0.007	19.4	5.5	117	209
200-109	200-225	200-109-1	8-9	0.008	19.4	5.5	130	234
200-110	225-250	200-110-1	9-10	0.008	19.4	5.5	142	260
200-111	250-275	200-111-1	10-11	0.009	19.4	5.5	155	285
200-112	275-300	200-112-1	11-12	0.009	19.4	5.5	168	310



Outside Micrometer Set

**SPECIFICATIONS:**

Model	Range (mm)	Model	Range (Inch)	Pieces
200-150	0-75	200-150-1	0-3	3
200-151	0-100	200-151-1	0-4	4
200-152	0-150	200-152-1	0-6	6
200-153	150-300	200-153-1	6-12	6
200-154	0-300	200-154-1	0-12	12