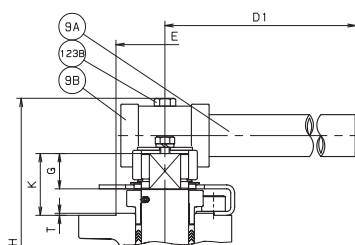
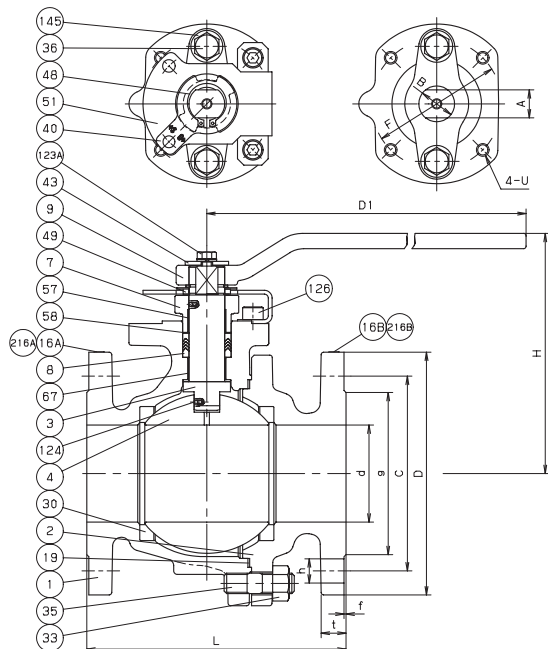
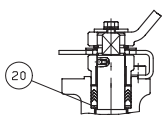




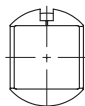
## 150SCTDZM 150SCTDZM-FS



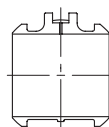
SIZE 6 & OVER



UP TO SIZE 1



SIZE 5, 6



SIZE 8 ONLY  
CORED CAVITY

### MATERIAL LIST

No.	Name of Parts	Materials
1	BODY	A216 Gr. WCB
2	BODY CAP	A216 Gr. WCB
3	STEM	A276 TYPE316
4	BALL	A276 TYPE316 or A351 Gr. CF8M
7	GLAND	A351 Gr. CF8
8	GLAND PACKIING	150SCTDZM PTFE 150SCTDZM-FS FLEXIBLE GRAPHITE
9	HANDLE	DUCTILE IRON(UP TO SIZE 5)
9 A	HANDLE BAR	CARBON STEEL(SIZE 6 & OVER)
9 B	HANDLE HEAD	DUCTILE IRON(SIZE 6 & OVER)
16 A	NAME PLATE	A276 TYPE304
16 B	LEV PLATE	A276 TYPE304
19	GASKET	150SCTDZM PTFE 150SCTDZM-FS FLEXIBLE GRAPHITE
20	PACKING WASHER	A276 TYPE316L(UP TO SIZE 1)
30	BALL SEAT	HYPATITE® PTFE
33	CAP NUT	A194 Gr. 2HM
35	CAP BOLT	A193 Gr. B7M
36	GLAND BOLT	STAINLESS STEEL
40	KEYLOCK PLATE	A276 TYPE304
43	HANDLELOCK PLATE	A276 TYPE304
48	SNAP RING	A276 TYPE304
49	STOPPER	A276 TYPE304
51	STOPPER PLATE	A276 TYPE304
57	GLAND BUSHING	G/F PTFE
58	GLAND WASHER	A276 TYPE304
67	STEM BEARING	G/F PTFE
123 A	HANDLELOCK PLATE BOLT	STAINLESS STEEL
123 B	HANDLE BOLT	STAINLESS STEEL
124	SPRING & PIN	A313 & A276 TYPE316
126	STOPPER PLATE BOLT	STAINLESS STEEL
145	CONED DISC SPRINGS	Inconel® 718 or Equivalent
216 A	CE PLATE	A276 TYPE304(SIZE 1 1/2 & OVER)
216 B	ATEX PLATE	A276 TYPE304

### DIMENSIONS

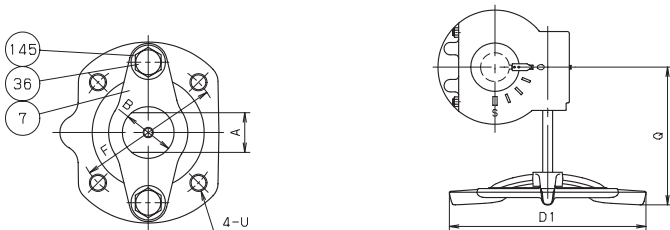
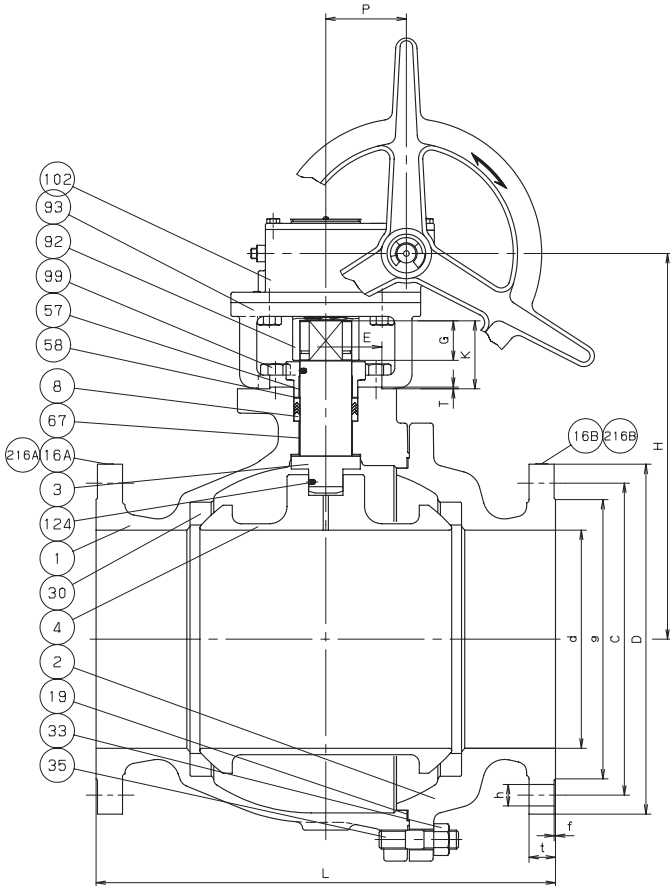
Unit : inch

Nominal Size		End Flange									Mounting Dimensions for Actuator											ISO 5211 Flange Type
in.	mm	d	H	D1	L	Bolt Hole				Bolt Size	g	t	f	A	B	E	F	G	K	T	U	
						D	C	No.	h													
1/2	15	0.55	4.25	5.12	4.25	3.50	2.38	4	0.62	1/2	1.38	0.44	0.06	0.36	0.47	0.99	1.42	0.35	0.87	0.04	M5	F03
3/4	20	0.75	4.37	5.12	4.62	3.88	2.75	4	0.62	1/2	1.69	0.44	0.06	0.36	0.47	0.99	1.42	0.35	0.87	0.04	M5	F03
1	25	0.95	4.88	7.09	5.00	4.25	3.12	4	0.62	1/2	2.00	0.44	0.06	0.55	0.71	1.38	1.97	0.55	1.18	0.06	M6	F05
1 1/2	40	1.50	5.28	9.06	6.50	5.00	3.88	4	0.62	1/2	2.88	0.56	0.06	0.67	0.87	2.17	2.76	0.67	1.34	0.06	M8	F07
2	50	1.97	5.63	9.06	7.00	6.00	4.75	4	0.75	5/8	3.62	0.62	0.06	0.67	0.87	2.17	2.76	0.67	1.34	0.06	M8	F07
2 1/2	65	2.52	7.05	15.75	7.50	7.00	5.50	4	0.75	5/8	4.12	0.69	0.06	0.87	1.10	2.76	4.02	0.87	1.77	0.08	M10	F10
3	80	3.00	7.44	15.75	8.00	7.50	6.00	4	0.75	5/8	5.00	0.75	0.06	0.87	1.10	2.76	4.02	0.87	1.77	0.08	M10	F10
4	100	3.94	8.82	18.11	9.00	9.00	7.50	8	0.75	5/8	6.19	0.94	0.06	1.06	1.42	3.35	4.92	1.06	2.05	0.08	M12	F12
5	125	4.84	9.45	18.11	14.00	10.00	8.50	8	0.88	3/4	7.31	0.94	0.06	1.06	1.42	3.35	4.92	1.06	2.05	0.08	M12	F12
6	150	5.95	12.40	39.37	15.50	11.00	9.50	8	0.88	3/4	8.50	1.00	0.06	1.42	1.89	3.94	5.51	1.42	2.48	0.08	M16	F14
8	200	7.95	15.98	59.06	18.00	13.50	11.75	8	0.88	3/4	10.62	1.12	0.06	1.81	2.36	5.12	6.50	1.81	3.11	0.08	M20	F16

## G-150SCTDZM G-150SCTDZM-FS

### MATERIAL LIST

No.	Name of Parts	Materials
1	BODY	A216 Gr. WCB
2	BODY CAP	A216 Gr. WCB
3	STEM	A276 TYPE316
4	BALL	A351 Gr. CF8M
7	GLAND	A351 Gr. CF8
8	GLAND PACKIING	G-150SCTDZM(C) PTFE G-150SCTDZM-FS(C) FLEXIBLE GRAPHITE
16 A	NAME PLATE	A276 TYPE304
16 B	LEV PLATE	A276 TYPE304
19	GASKET	G-150SCTDZM(C) PTFE G-150SCTDZM-FS(C) FLEXIBLE GRAPHITE
30	BALL SEAT	HYPATITE® PTFE
33	CAP NUT	A194 Gr. 2HM
35	CAP BOLT	A193 Gr. B7M
36	GLAND BOLT	STAINLESS STEEL
57	GLAND BUSHING	G/F PTFE
58	GLAND WASHER	A276 TYPE304
67	STEM BEARING	G/F PTFE
92	CONNECTOR	CARBON STEEL
93	BRACKET	DUCTILE IRON
99	BOLT	STAINLESS STEEL
102	GEAR UNIT	
124	SPRING & PIN	A313 & A276 TYPE316
145	CONED DISC SPRINGS	Inconel® 718 or Equivalent
216 A	CE PLATE	A276 TYPE304
216 B	ATEX PLATE	A276 TYPE304



### DIMENSIONS

Unit : inch

Nominal Size		End Flange										Mounting Dimensions for Actuator												
in.	mm	d	H	D1	L	D	Bolt Hole			Bolt Size				Mounting Dimensions for Actuator						ISO 5211 Flange Type				
							C	No.	h		g	t	f	P	Q	A	B	E	F	G	K	T	U	
10	250	9.96	17.64	19.69	21.00	16.00	14.25	12	1.00	7/8	12.75	1.19	0.06	3.68	14.29	1.81	2.36	5.12	6.50	1.81	3.07	0.08	M20	F16