

# Husky 2150 Metal Pumps

## Air-Operated Double-Diaphragm

---

### Features

- 2 in (50.8 mm) ANSI end-porting
- Larger ports for more flow – up to 150 gpm (568 lpm)
- Fluid pressure up to 120 psi (8.4 bar, 0.84 MPa)
- Patented, high-reliability closed center air valve is online serviceable
- Lube-free operation
- Epoxy-coated air section
- External controller for optional remote operation
- Stainless steel center section for corrosive applications

### Typical Applications

- Drum fluid transfer
- Bulk fluid supply
- Chemical evacuation
- Ground water and sump evacuation
- Waste fluid removal
- Tank and bilge drainage
- Slurry and sludge transfer
- Filter press feed

### Typical Fluids Handled

- Alkalies and solvents
- Suspensions and dispersions
- Solvents, latex paints, varnishes, resins and adhesives
- Sludge and waste water



*Husky 2150 Aluminum  
DF3XXX or DG3XXX*



*Husky 2150 Stainless Steel  
DV4XXX or DW4XXX*



*Husky 2150 Stainless Steel  
DF4XXX or DG4XXX*



*Husky 2150 Extended Aluminum  
DFHXXX or DFGXXX*



*Husky 2150 Ductile Iron  
DF6XXX or DG6XXX*

# Husky 2150

## Metal Pumps

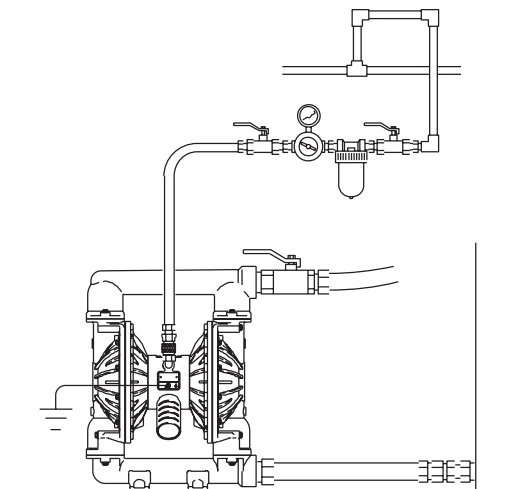
### Technical Specifications

Maximum fluid working pressure	120 psi (8.4 bar, 0.84 MPa)
Maximum free flow delivery*	150 gpm (568 lpm)
Maximum pump speed	145 cpm
Displacement per cycle**	1.03 gallon (3.90 liter)
Maximum suction lift (DF3666)	20 ft (6.1 m) dry
Maximum size pumpable solids	0.25 in (6.3 mm)
Maximum operating temperature***	
PTFE	220°F (104.4°C)
Santoprene	180°F (82.2°C)
Buna-N	180°F (82.2°C)
TPE	150°F (65.5°C)
Fluoroelastomer	250°F (121.1°C)
Geolast	150°F (65.5°C)
Typical sound level at 70 psi air (4.9 bar, 0.49 MPa) air @ 50 cpm	78 dBa
Maximum air consumption	175 scfm (4.9 m3/min)
Air pressure operating range	20 to 120 psi (1.4 to 8.4 bar, 0.14 to 0.84 MPa)
Air inlet size	1/2 npt(f)
Fluid inlet & outlet size	.2 in (51 mm) npt and bspt
Weight	
Aluminum	58 lb (26.3 kg)
Extended aluminum	62 lb (28.1 kg)
Stainless steel	127 lb (57.6 kg)
Stainless steel with stainless steel center section	146.5 lb (66.4 kg)
Ductile iron	130 lb (59 kg)
Instruction manual	.308368

\* Flow rates are with muffler and do not vary based on diaphragm material  
 \*\* Displacement per cycle may vary based on suction condition, discharge head, air pressure and fluid type  
 \*\*\* Actual pump performance may be affected by prolonged usage at temperature

### System Drawing

Husky 2150 Above Ground Gravity Feed



# Husky 2150

## Metal Pumps

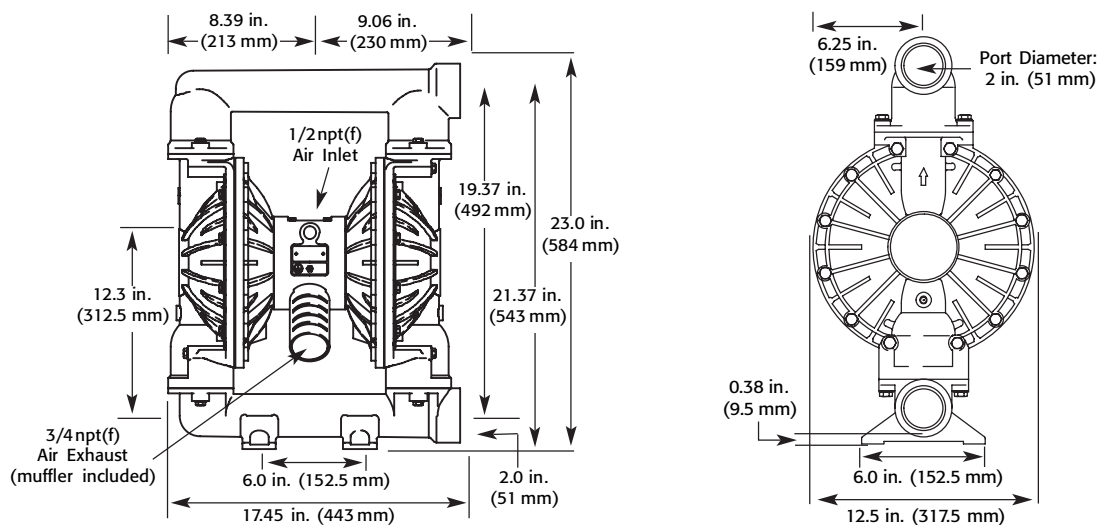
### Ordering Information

The highlighted areas indicate possible configurations for the Husky 2150 metal pumps.

PUMP SIZE (AIR MOTOR TYPE AND MATERIAL)	WETTED PARTS	SEATS	BALLS	DIAPHRAGM
1 = 1/4" (6.35 mm) Standard: polypropylene center section	1 = Acetal (npt)	0 = Seat with ball	1 = PTFE	1 = PTFE
2 = 1/4" (6.35 mm) Remote: polypropylene center section	2 = Poly (npt)	2 = Acetal	2 = Acetal	5 = TPE
3 = 3/8" (9.52 mm) Standard: aluminum center section	3 = Aluminum (npt)	3 = Stainless Steel	3 = Stainless Steel	6 = Santoprene
5 = 1/2" (12.7 mm) Standard: polypropylene center section	4 = Stainless Steel (npt)	4 = Hardened SST	4 = Hardened SST	7 = Buna N
4 = 1/2" (12.7 mm) Remote: polypropylene center section	5 = PVDF (npt)	5 = TPE	5 = TPE	8 = Fluoroelastomer
5 = 3/4" (19.05 mm) Standard: polypropylene center section	6 = Ductile Iron (npt)	6 = Santoprene	6 = Santoprene	G = Geolast
4 = 3/4" (19.05 mm) Remote: polypropylene center section		7 = Buna N	7 = Buna N	
7 = 1" (25.4 mm) Standard: aluminum center section	A = Acetal * (bsp)	8 = Fluoroelastomer	8 = Fluoroelastomer	
8 = 1" (25.4 mm) Remote: aluminum center section	B = Poly * (bsp)	9 = Polypropylene	9 = Polypropylene	
R = 1" (25.4 mm) Standard: stainless steel center section	C = Aluminum (bsp)	A = PVDF	A = PVDF	
S = 1" (25.4 mm) Remote: stainless steel center section	D = Stainless Steel (bsp)	G = Geolast	G = Geolast	
B = 1-1/2" (38.1 mm) Standard: aluminum center section	E = PVDF (bsp)			
C = 1-1/2" (38.1 mm) Remote: aluminum center section	F = Ductile Iron (bsp)	B = SST with viton seal		
T = 1-1/2" (38.1 mm) Standard: stainless steel center section		C = Santoprene with viton seal		
U = 1-1/2" (38.1 mm) Remote: stainless steel center section	H = 2 npt Alum Extended			
F = 2" (50.8 mm) Standard: aluminum center section	G = 2 bsp Alum Extended	D = Urethane Duckbill		
G = 2" (50.8 mm) Remote: aluminum center section				
V = 2" (50.8 mm) Standard: stainless steel center section				
W = 2" (50.8 mm) Remote: stainless steel center section				
K = 3" (76.2 mm) Standard: aluminum center section				

\* = BSP plastic in 1/2" (12.7mm) pumps  
 1" > Plastic pumps flange connections  
 3" Aluminum pumps flange connections

### Dimensions



# Husky 2150

## Metal Pumps

### Popular Models

Material	Part Number (NPT Ported)		Part Number (BSP Ported)		Materials for Seats	Materials for Balls	Materials for Diaphragms	Fluid Kit	Air Kit	Air Control*
	Standard Air Valve	Remote Air Valve	Standard Air Valve	Remote Air Valve						
<b>Standard Pumps with Aluminum Center Section</b>										
Aluminum**	DF3311	DG3311	DFC311	DGC311	Stainless Steel	PTFE	PTFE	D0F311	236273	246947
	DF3341	DG3341	DFC341	DGC341	Hardened SST	Stainless Steel	PTFE	D0F331	236273	246947
	DF3366	DG3366	DFC366	DGC366	Stainless Steel	Santoprene	Santoprene	D0F366	236273	246947
	DF3377	DG3377	DFC377	DGC377	Stainless Steel	Buna	Buna	D0F377	236273	246947
	DF3525	DG3525	DFC525	DGC525	TPE	Acetal	TPE	D0F525	236273	246947
	DF3555		DFC555		TPE	TPE	TPE	D0F555	236273	246947
	DF3666	DG3666	DFC666	DGC666	Santoprene	Santoprene	Santoprene	D0F666	236273	246947
	DF3777	DG3777	DFC777	DGC777	Buna	Buna	Buna	D0F777	236273	246947
	DF3888	DG3888	DFC888	DGC888	Fluoroelastomer	Fluoroelastomer	Fluoroelastomer	D0F888	236273	246947
	DF3GGG	DG3GGG	DFCGGG	DGCGGG	Geolast	Geolast	Geolast	D0FGGG	236273	246947
	DF3911	DG3911	DFC911	DGC911	Polypropylene	PTFE	PTFE	D0F911	236273	246947
	DF3977	DG3977	DFC977		Polypropylene	Buna	Buna	D0F977	236273	246947
Stainless Steel	DF4311	DG4311	DFD311	DGD311	Stainless Steel	PTFE	PTFE	D0F311	236273	246947
	DF4341		DFD341		Hardened SST	Stainless Steel	PTFE	D0F331	236273	246947
	DF4366	DG4366	DFD366	DGD366	Stainless Steel	Santoprene	Santoprene	D0F366	236273	246947
	DF4377	DG4377	DFD377	DGD377	Stainless Steel	Buna	Buna	D0F377	236273	246947
	DF4525		DFD525		TPE	Acetal	TPE	D0F525	236273	246947
	DF4666	DG4666	DFD666	DGD666	Santoprene	Santoprene	Santoprene	D0F666	236273	246947
	DF4777	DG4777	DFD777	DGD777	Buna	Buna	Buna	D0F777	236273	246947
	DF4888	DG4888	DFD888	DGD888	Fluoroelastomer	Fluoroelastomer	Fluoroelastomer	D0F888	236273	246947
	DF4GGG	DG4GGG	DFDGGG	DGDGGG	Geolast	Geolast	Geolast	D0FGGG	236273	246947
	DF4911		DFD911		Polypropylene	PTFE	PTFE	D0F911	236273	246947
Ductile	DF6311		DFD311		Stainless Steel	PTFE	PTFE	D0F311	236273	246947
	DF6366		DFD366		Stainless Steel	Santoprene	Santoprene	D0F366	236273	246947
	DF6441		DFD441		Hardened SST	Hardened SST	PTFE	D0F441	236273	246947
	DF6466	DG6466	DFD466	DGF466	Hardened SST	Santoprene	Santoprene	D0F466	236273	246947
	DF6525		DFD525		TPE	Acetal	TPE	D0F525	236273	246947
	DF6666	DG6666	DFD666	DGF666	Santoprene	Santoprene	Santoprene	D0F666	236273	246947
	DF6A11		DFD611		PVDF	PTFE	PTFE	D0FA11	236273	246947
	DF6A88		DFD688		PVDF	Fluoroelastomer	Fluoroelastomer	D0FA88	236273	246947
	DF6GGG	DG6GGG	DFDGGG	DGFGGG	Geolast	Geolast	Geolast	D0FGGG	236273	246947
<b>Corrosion Resistant Pumps with Stainless Steel Center Section</b>										
Stainless Steel	DV4311	DW4311	DVD311	DWD311	Stainless Steel	PTFE	PTFE	D0F311	236273	246947
	DV4377	DW4377	DVD377	DWD377	Stainless Steel	Buna	Buna	D0F377	236273	246947
	DV4388	DW4388	DVD388	DWD388	Stainless Steel	Fluoroelastomer	Fluoroelastomer	D0F388	236273	246947
	DV4666	DW4666	DVD666	DWD666	Santoprene	Santoprene	Santoprene	D0F666	236273	246947
	DV4888	DW4888	DVD888	DWD888	Fluoroelastomer	Fluoroelastomer	Fluoroelastomer	D0F888	236273	246947
	DV4911	DW4911	DVD911	DWD911	Polypropylene	PTFE	PTFE	D0F911	236273	246947

\* Air control includes air regulator and filter with gauge

\*\* Also available in Extended Height version; use DFH or DFG designations

### Performance Charts

See [www.graco.com/process](http://www.graco.com/process) for performance charts.

### Accessories

See page 76 for additional accessories.