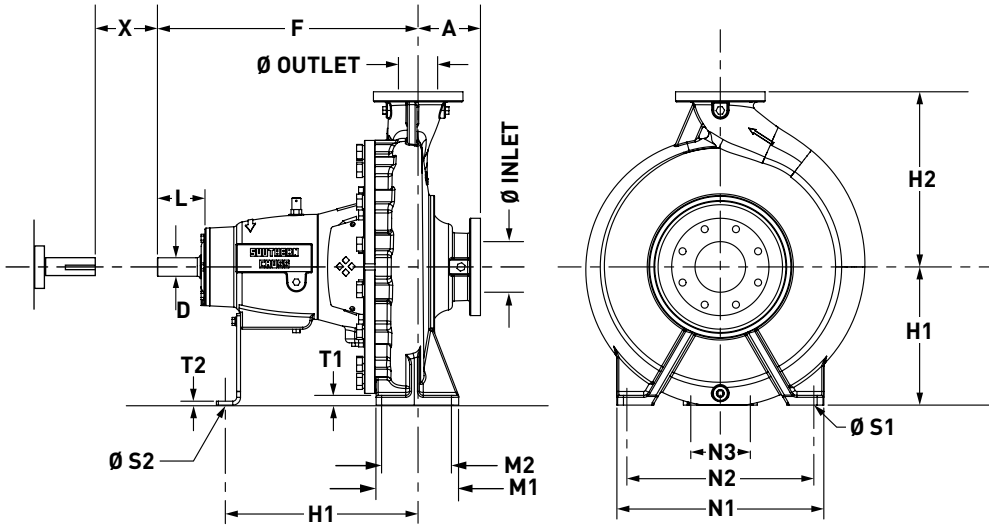




CENTRIFUGAL PUMP TECHNICAL DATA

ISO2858
END SUCTION PUMPS
TECHNICAL DATA

PUMP DIMENSIONS



Standard Flange Drilling to AS2129 -1982 Table "E".

Other drilling options available on request.

Dimensions in millimetres.

PUMP SIZE			SHAFT NO.	PUMP DIMENSIONS				MOUNTING DIMENSIONS									BOLT HOLES		SHAFT END		GAP *	WEIGHT (KG)
INLET	OUTLET	IMP DIA		A	F	H1	H2	B	M1	M2	N1	N2	N3	T1	T2	W	S1	S2	D	L		
50	32	160	1	80	385	132	160	50	100	70	240	190	110	12	6	285	M12	M12	24	50	100	43
50	32	200	1	80	385	160	180	50	100	70	240	190	110	13	6	285	M12	M12	24	50	100	49
65	50	160	1	80	385	132	160	50	100	70	240	190	110	12	6	285	M12	M12	24	50	100	44
65	40	200	1	100	385	160	180	50	100	70	265	212	110	13	6	285	M12	M12	24	50	100	51
65	40	250	2	100	500	180	225	65	125	95	320	250	110	14	6	370	M12	M12	32	80	100	71
65	40	315	2	125	500	200	250	65	125	95	345	280	110	16	6	370	M12	M12	32	80	100	90
80	65	160	1	100	385	160	180	50	100	70	265	212	110	13	6	285	M12	M12	24	50	100	49
80	50	200	1	100	385	160	200	50	100	70	265	212	110	13	6	285	M12	M12	24	50	100	53
80	50	250	2	125	500	180	225	65	125	95	320	250	110	15	6	370	M12	M12	32	80	100	76
80	50	315	2	125	500	225	280	65	125	95	345	280	110	18	6	370	M12	M12	32	80	100	94
100	80	160	2	100	500	160	200	65	125	95	280	212	110	14	6	370	M12	M12	32	80	100	68
100	65	200	2	100	500	180	225	65	125	95	320	250	110	15	6	370	M12	M12	32	80	140	72
100	65	250	2	125	500	200	250	80	160	120	360	280	110	16	6	370	M16	M12	32	80	140	84
100	65	315	3	125	530	225	280	80	160	120	400	315	110	18	8	370	M16	M12	42	110	140	122
125	80	200	2	125	500	180	250	65	125	95	345	280	110	16	6	370	M12	M12	32	80	140	81
125	80	250	2	125	500	225	280	80	160	120	400	315	110	18	6	370	M16	M12	32	80	140	88
125	80	315	3	125	530	250	315	80	160	120	400	315	110	20	8	370	M16	M12	42	110	140	130
125	80	400	3	125	530	280	355	80	160	120	435	355	110	20	8	370	M16	M12	42	110	140	163
125	100	200	2	125	500	200	280	80	160	120	360	280	110	17	6	370	M16	M12	32	80	140	87
125	100	250	3	140	530	225	280	80	160	120	400	315	110	18	8	370	M16	M12	42	110	140	122
125	100	315	3	140	530	250	315	80	160	120	400	315	110	19	8	370	M16	M12	42	110	140	138
125	100	400	3	140	530	280	355	100	200	150	500	400	110	20	8	370	M20	M12	42	110	140	175
125	100	500	4	160	670	355	450	100	210	150	540	450	140	25	10	500	M20	M16	48	110	180	378
150	125	250	3	140	530	250	355	80	160	120	400	315	110	19	8	370	M16	M12	42	110	140	135
150	125	315	3	140	530	280	355	100	200	150	500	400	110	20	8	370	M20	M12	42	110	140	156
150	125	400	3	140	530	315	400	100	200	150	500	400	110	21	8	370	M20	M12	42	110	140	193
150	125	500	4	160	670	355	450	100	210	150	540	450	140	25	10	500	M20	M16	48	110	180	402
200	150	315	4	160	670	315	400	100	210	150	540	450	140	20	10	500	M20	M16	48	110	180	274
200	150	400	4	160	670	315	450	100	210	150	540	450	140	25	10	500	M20	M16	48	110	180	339
200	150	500	4	160	670	400	500	100	210	150	540	450	140	25	10	500	M20	M16	48	110	180	426
250	200	315	4	180	670	315	450	100	210	150	540	450	140	25	10	500	M20	M16	48	110	180	314

* Gap necessary for the withdrawal or bearing housing, backplate and impeller assembly towards the drive end.

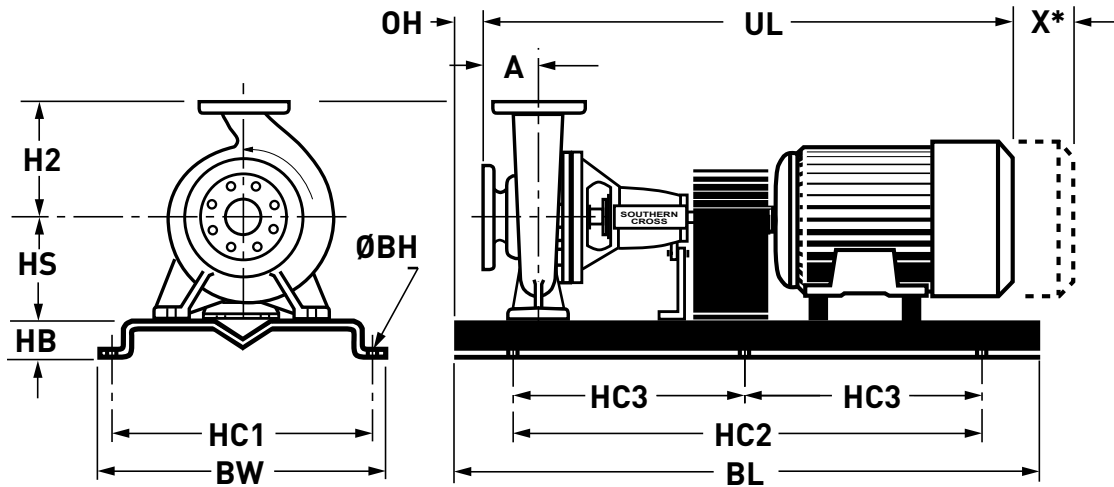
PUMP DIMENSIONS

ISO2858

END SUCTION PUMPS
TECHNICAL DATA



CENTRIFUGAL PUMP TECHNICAL DATA



Pumps with **2900 RPM** (Nominal Speed) TEFC Motors and Pressed Steel Base Plates - **STANDARD COUPLING**

PUMP SIZE			SHAFT No.	MOTOR kW	FRAME SIZE	DIMENSIONS (mm)													Gap X*	kg
INLET	OUTLET	IMP DIA				BL	BW	HC1	HC2	HC3	HB	BH	OH	A	UL	HS	H2			
50	32 SEA	160	1	2.2	90	1100	426	396	900	450	40	15			825	132			91	
				3	100L	1100	426	396	900	450	40	15	20	80	865	132	160	100	99	
				4	112M	1100	426	396	900	450	40	15			880	132			112	
				5.5	132S	1200	520	470	900	450	74	15			960	132			144	
65	50 SEB	160	1	4	112M	1100	426	396	900	450	40	15			880	132			113	
				5.5	132S	1200	520	470	900	450	74	15	20	80	960	132	160	100	145	
				7.5	132S	1200	520	470	900	450	74	15			960	132			151	
80	65 SEC	160	1	5.5	132S	1200	520	470	900	450	74	15			980	160			151	
				7.5	132S	1200	520	470	900	450	74	15	20	100	980	160	180	100	157	
				11	160M	1200	520	470	900	450	74	15			1125	160			203	
				15	160M	1200	572	522	900	450	93	19			1125	160			223	
100	80 SED	160	2	11	160M	1200	520	470	900	450	74	15			1240	160			221	
				15	160M	1200	572	522	900	450	93	19	19.5	100	1240	160	200	100	241	
				18.5	160L	1200	572	522	900	450	93	19			1295	160			263	
50	32 SFA	200	1	5.5	132S	1200	520	470	900	450	74	15			960	160			151	
				7.5	132S	1200	520	470	900	450	74	15	20	80	960	160	180	100	157	
				11	160M	1200	520	470	900	450	74	15			1105	160			203	
65	40 SFB	200	1	7.5	132S	1200	520	470	900	450	74	15			980	160			159	
				11	160M	1200	520	470	900	450	74	15	20	100	1125	160	180	100	205	
				15	160M	1200	572	522	900	450	93	19			1125	160			225	
80	50 SFC	200	1	11	160M	1200	520	470	900	450	74	15			1125	160			207	
				15	160M	1200	572	522	900	450	93	19	20	100	1125	160	200	100	227	
				18.5	160L	1200	572	522	900	450	93	19			1180	160			249	
				22	180M	1200	572	522	900	450	93	19			1213	180			289	
100	65 SFD	200	2	18.5	160L	1200	572	522	900	450	93	19			1295	180			269	
				22	180M	1200	572	522	900	450	93	19	19.5	100	1325	180	225	140	304	
				30	200L	1500	622	572	1200	600	68	19			1398	200			382	
				37	200L	1500	622	572	1200	600	68	19			1398	200			397	
125	80 SFE	200	2	22	180M	1200	572	522	900	450	93	19			1353	180			313	
				30	200L	1500	622	572	1200	600	68	19	20.5	125	1423	200	250	140	391	
				37	200L	1500	622	572	1200	600	68	19			1423	200			406	
				45	225M	1500	622	572	1200	600	68	19			1468	225			461	

* Gap necessary for the withdrawal or bearing housing, backplate and impeller assembly towards the drive end.



CENTRIFUGAL PUMP TECHNICAL DATA

ISO2858
END SUCTION PUMPS
TECHNICAL DATA

**PUMP
DIMENSIONS**

PUMP SIZE			SHAFT No.	MOTOR kW	FRAME SIZE	DIMENSIONS (mm)														
INLET	OUTLET	IMP DIA				BL	BW	HC1	HC2	HC3	HB	BH	OH	A	UL	HS	H2	Gap X*	kg	
125	100 SFF	200	2	30	200L	1500	622	572	1200	600	68	19			1423	200			394	
				37	200L	1500	622	572	1200	600	68	19			1423	200			409	
				45	225M	1500	622	572	1200	600	68	19	20	125	1468	225	280	140		467
				55	250M	1500	622	572	1200	600	68	19			1563	250				570
				75	280S	1500	676	626	1100	550	120	24			1638	280				
65	40 SGB	250	2	11	160M	1200	572	522	900	450	93	19			1240	180			238	
				15	160M	1200	572	522	900	450	93	19			1240	180			246	
				18.5	160L	1200	572	522	900	450	93	19	19.5	100	1295	180	225	100		268
				22	180M	1200	572	522	900	450	93	19			1328	180				303
				30	200L	1500	622	572	1200	600	68	19			1398	200				
80	50 SGC	250	2	22	180M	1200	572	522	900	450	93	19			1353	180			308	
				30	200L	1500	622	572	1200	600	68	19	20.5	125	1423	200	225	100		386
				37	200L	1500	622	572	1200	600	68	19			1423	200				401
				45	225M	1500	622	572	1200	600	68	19			1468	225				456
100	65 SGD	250	2	30	200L	1500	622	572	1200	600	68	19			1423	200			391	
				37	200L	1500	622	572	1200	600	68	19			1423	200			406	
				45	225M	1500	622	572	1200	600	68	19	20	125	1468	225	250	140		464
				55	250M	1500	622	572	1200	600	68	19			1563	250				567
				75	280S	1500	676	626	1100	550	120	24			1638	280				
125	80 SGE	250	2	45	225M	1500	622	572	1200	600	68	19			1468	225			464	
				55	250M	1500	622	572	1200	600	68	19	20	125	1563	250	280	140		568
				75	280S	1500	676	626	1100	550	120	24			1638	280				746
				90	280M	1500	676	626	1100	550	120	24			1688	280				822
125	100 SGF	250	3	55	250M	1500	676	626	1100	550	120	24			1608	250			632	
				75	280S	1600	731	681	1200	600	120	24	20	140	1683	280	280	140		790
				90	280M	1600	731	681	1200	600	120	24			1733	280				866
				110	280M	1600	731	681	1200	600	120	24			1748	280				1007
65	40 SHB	315	2	22	180M	1200	572	522	900	450	93	19			1353	200			324	
				30	200L	1500	622	572	1200	600	68	19	20.5	125	1423	200	250	100		397
				37	200L	1500	622	572	1200	600	68	19			1423	200				412
				45	225M	1500	622	572	1200	600	68	19			1468	225				470
80	50 SHC	315	2	30	200L	1500	622	572	1200	600	68	19			1423	225			403	
				37	200L	1500	622	572	1200	600	68	19			1423	225				418
				45	225M	1500	622	572	1200	600	68	19	20.5	125	1468	225	280	100		470
				55	250M	1500	622	572	1200	600	68	19			1563	250				573
				75	280S	1500	676	626	1100	550	120	24			1638	280				
100	65 SHD	315	3	55	250M	1500	676	626	1100	550	120	24			1593	250			632	
				75	280S	1600	731	681	1200	600	120	24	20	125	1668	280	280	140		790
				90	280M	1600	731	681	1200	600	120	24			1718	280				866
				110	280M	1600	731	681	1200	600	120	24			1733	280				1007
125	80 SHE	315	3	75	280S	1600	731	681	1200	600	120	24			1668	280			796	
				90	280M	1600	731	681	1200	600	120	24	20	125	1718	280	315	140		872
				110	280M	1600	731	681	1200	600	120	24			1733	280				1013
				132	315M	1600	731	681	1200	600	120	24			1936	315				1338
125	100 SHF	315	3	90	280M	1600	731	681	1200	600	120	24			1733	280			880	
				110	280M	1600	731	681	1200	600	120	24	20	140	1748	280	315	140		1021
				132	315M	1600	731	681	1200	600	120	24			1951	315				1346

* Gap necessary for the withdrawal or bearing housing, backplate and impeller assembly towards the drive end.

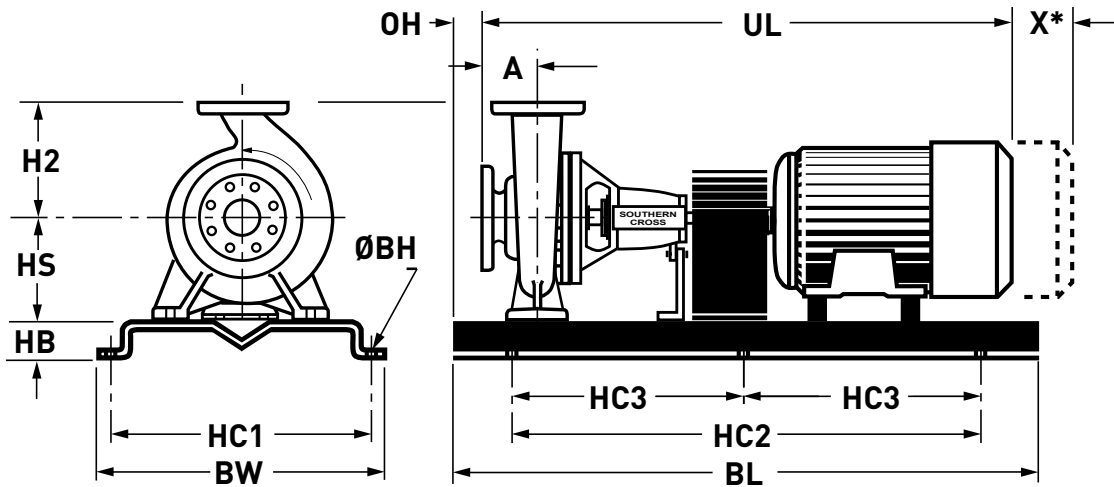
PUMP DIMENSIONS

ISO2858

END SUCTION PUMPS
TECHNICAL DATA



CENTRIFUGAL PUMP TECHNICAL DATA



Pumps with **1450 RPM** (Nominal Speed) TEFC Motors and Pressed Steel Base Plates - **STANDARD COUPLING**

PUMP SIZE			SHAFT No.	MOTOR kW	FRAME SIZE	DIMENSIONS (mm)														
INLET	OUTLET	IMP DIA				BL	BW	HC1	HC2	HC3	HB	BH	OH	A	UL	HS	H2	Gap X*	kg	
50	32	160	1	0.55	80	1100	426	396	900	450	40	15	20	80	775	132	160	100	83	
				0.75	80	1100	426	396			40	15		775						84
65	50	160	1	0.55	80	1100	426	396			40	15		775					84	
				0.75	80	1100	426	396	900	450	40	15	20	80	775	132	160	100	85	
				1.1	90S	1100	426	396			40	15		800						89
80	65	160	1	0.75	80	1100	426	396			40	15		795					91	
				1.1	90S	1100	426	396	900	450	40	15	20	100	820	160	180	100	94	
				1.5	90L	1100	426	396			40	15		845						99
100	80	160	2	1.1	90S	1100	426	396			40	15		940					114	
				1.5	90L	1100	426	396	900	450	40	15	19.5	100	965	160	200	100	119	
				2.2	100L	1100	426	396			40	15		1005						128
				3	100L	1100	426	396			40	15		1005						132
50	32	200	1	0.75	80	1100	426	396			40	15		775					91	
				1.1	90S	1100	426	396	900	450	40	15	20	80	800	160	180	100	94	
				1.5	90L	1100	426	396			40	15		825						99
65	40	200	1	1.1	90S	1100	426	396			40	15		820					96	
				1.5	90L	1100	426	396	900	450	40	15	20	100	845	160	180	100	101	
				2.2	100L	1100	426	396			40	15		885						110
80	50	200	1	1.5	90L	1100	426	396			40	15		845					103	
				2.2	100L	1100	426	396	900	450	40	15	20	100	885	160	200	100	112	
				3	100L	1100	426	396			40	15		885						116
100	65	200	2	2.2	100L	1100	426	396			40	15		1005					133	
				3	100L	1100	426	396	900	450	40	15	19.5	100	1005	180	225	140	137	
				4	112M	1100	426	396			40	15		1020						142
				5.5	132S	1200	520	470			74	15		1095						179
125	80	200	2	3	100L	1100	426	396			40	15		1030					146	
				4	112M	1100	426	396	900	450	40	15	20.5	125	1045	180	250	140	151	
				5.5	132S	1200	520	470			74	15		1120						188
				7.5	132M	1200	520	470			74	15		1160						201
125	100	200	2	4	112M	1100	426	396			40	15		1045					158	
				5.5	132S	1200	520	470	900	450	74	15	20	125	1120	200	280	140	195	
				7.5	132M	1200	520	470			74	15		1160						208

* Gap necessary for the withdrawal of bearing housing, backplate and impeller assembly towards the drive end.



CENTRIFUGAL PUMP TECHNICAL DATA

ISO2858
END SUCTION PUMPS
TECHNICAL DATA

**PUMP
DIMENSIONS**

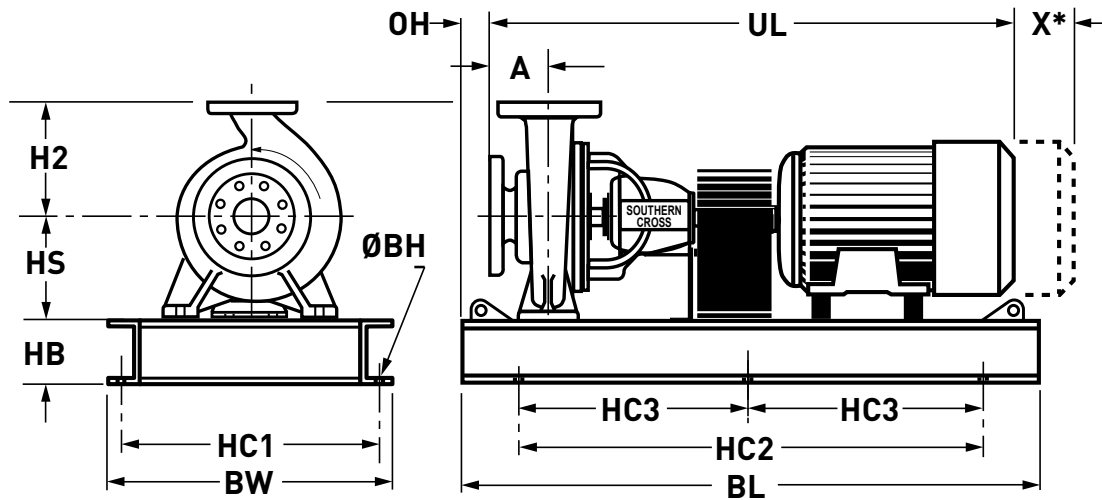
PUMP SIZE			SHAFT No.	MOTOR kW	FRAME SIZE	DIMENSIONS (mm)															
INLET	OUTLET	IMP DIA				BL	BW	HC1	HC2	HC3	HB	BH	OH	A	UL	HS	H2	Gap X*	kg		
65	40 SGB	250	2	1.5	90L	1100	426	396	900	450	40	15	19.5	100	965	180	225	100	123		
				2.2	100L	1100	426	396			40	15			1005				132		
				3	100L	1100	426	396			40	15			1005				136		
80	50 SGC	250	2	3	100L	1100	426	396	900	450	40	15	20.5	125	1030	180	225	100	141		
				4	112M	1100	426	396			40	15			1045				146		
				5.5	132S	1200	520	470			74	15			1120				183		
100	65 SGD	250	2	4	112M	1100	426	396	900	450	40	15	20	125	1045	200	250	140	155		
				5.5	132S	1200	520	470			74	15			1120				192		
				7.5	132M	1200	520	470			74	15			1160				205		
125	80 SGE	250	2	5.5	132S	1200	520	470	900	450	74	15	20	125	1120	225	280	140	198		
				7.5	132M	1200	520	470			74	15			1160				211		
				11	160M	1200	520	470			74	15			1265				252		
125	100 SGF	250	3	7.5	132M	1200	520	470	900	450	74	15	20	140	1205	225	280	140	243		
				11	160M	1200	520	470			74	15			1310				284		
				15	160L	1500	622	572			1200	600			68				19	1368	331
150	125 SGG	250	3	11	160M	1200	520	470	900	450	74	15	20	140	1310	250	355	140	299		
				15	160L	1500	622	572			1200	600			68				19	1368	347
				18.5	180M	1500	622	572			1200	600			68				19	1398	383
				22	180L	1500	622	572			1200	600			68				19	1438	395
65	40 SHB	315	2	3	100L	1100	426	396	900	450	40	15	20.5	125	1030	200	250	100	157		
				4	112M	1100	426	396			40	15			1045				161		
				5.5	132S	1200	520	470			74	15			1120				198		
80	50 SHC	315	2	4	112M	1100	426	396	900	450	40	15	20.5	125	1045	225	280	100	164		
				5.5	132S	1200	520	470			74	15			1120				204		
				7.5	132M	1200	520	470			74	15			1160				217		
100	65 SHD	315	3	7.5	132M	1200	520	470	900	450	74	15	20	125	1190	225	280	140	243		
				11	160M	1200	520	470			74	15			1295				284		
				15	160L	1500	622	572			1200	600			68				19	1353	331
125	80 SHE	315	3	11	160M	1200	520	470	900	450	74	15	20	125	1295	250	315	140	294		
				15	160L	1500	622	572			1200	600			68				19	1353	342
				18.5	180M	1500	622	572			1200	600			68				19	1383	378
125	100 SHF	315	3	11	160M	1200	520	470	900	450	74	15	20	140	1310	250	315	140	302		
				15	160L	1500	622	572			1200	600			68				19	1368	350
				18.5	180M	1500	622	572			1200	600			68				19	1398	386
				22	180L	1500	622	572			1200	600			68				19	1438	398
150	125 SHG	315	3	18.5	180M	1500	622	572	1200	600	68	19	20	140	1398	280	355	140	406		
				22	180L	1500	622	572			68	19			1438				419		
				30	200L	1500	622	572			68	19			1468				504		
				37	225S	1500	622	572			68	19			1518				519		
				45	225M	1500	622	572			68	19			1543				555		
125	80 SJE	400	3	15	160L	1500	622	572	1200	600	68	19	20	125	1353	280	355	140	376		
				18.5	180M	1500	622	572			68	19			1383				413		
				22	180L	1500	622	572			68	19			1423				426		
				30	200L	1500	622	572			68	19			1453				511		
125	100 SJF	400	3	22	180L	1500	622	572	1200	600	68	19	20	140	1438	280	355	140	438		
				30	200L	1500	622	572			68	19			1468				523		
				37	225S	1500	622	572			68	19			1518				538		
				45	225M	1500	622	572			68	19			1543				574		
150	125 SJG	400	3	37	225S	1500	622	572	1200	600	68	19	20	140	1518	315	400	140	559		
				45	225M	1500	622	572			68	19			1543				595		
				55	250M	1600	731	681			120	24			1623				805		
				75	250M	1600	731	681			120	24			1623				893		

* Gap necessary for the withdrawal or bearing housing, backplate and impeller assembly towards the drive end.

PUMP DIMENSIONS

ISO2858

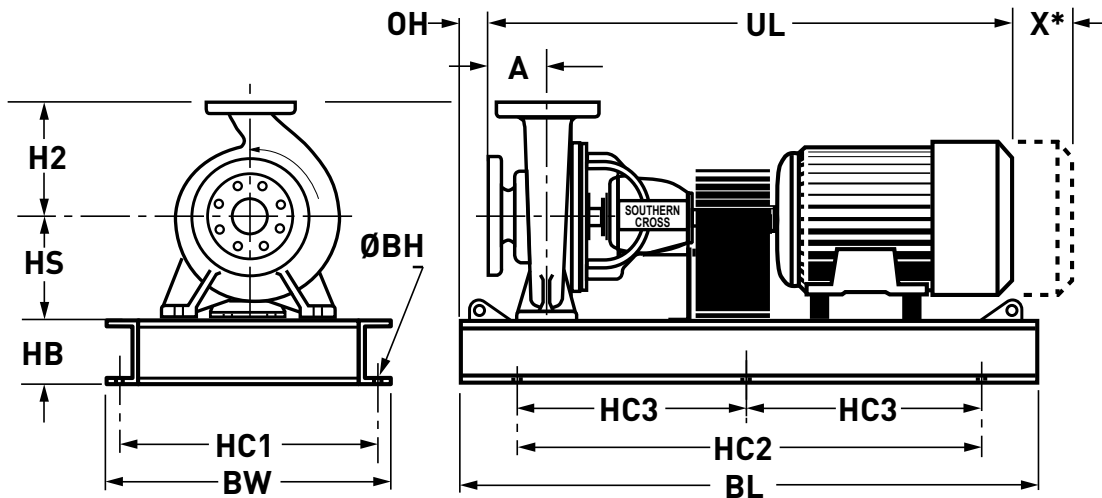
END SUCTION PUMPS
TECHNICAL DATA



No.4 Shaft Pumps with 1450 RPM (Nominal Speed) TEFC Motors and ISO Pre-Fabricated Steel Base Plates - STANDARD COUPLING

PUMP SIZE			SHAFT No.	MOTOR kW	FRAME SIZE	DIMENSIONS (mm)													
INLET	OUTLET	IMP DIA				BL	BW	HC1	HC2	HC3	HB	BH	OH	A	UL	HS	H2	Gap X*	kg
200	150 SHH	315	4	30	200L	1800	750	670	1200	-	150								
				37	225S	1800	750	670	1200	-	150	24	-50	160	1628	315	400	180	700
				45	225M	1800	750	670	1200	-	150				1678				718
				55	250M	1800	750	670	1200	-	150				1718				760
250	200 SHJ	315	4	37	225S	1800	750	670	1200	-	150								
				45	225M	1800	750	670	1200	-	150	24	-70	180	1698	315	450	180	758
				55	250M	1800	750	670	1200	-	150				1738				800
				75	250M	1800	750	670	1200	-	150				1803				907
200	150 SJH	400	4	55	250M	1800	750	670	1200	-	150								
				75	250M	1800	750	670	1200	-	150	24	-50	160	1783	315	450	180	932
				90	280M	1800	750	670	1200	-	150				1908				1168
				110	315S	1800	750	670	1200	-	150				2089				1507
125	100 SKF	500	4	45	225M	1800	750	670	1200	-	170								
				55	250M	1800	750	670	1200	-	150	24	-50	160	1718	355	450	180	869
				75	250M	1800	750	670	1200	-	150				1783				971
				90	280M	1800	750	670	1200	-	150				1908				1059
150	125 SKG	500	4	55	250M	1800	750	670	1200	-	150								
				75	250M	1800	750	670	1200	-	150				1783				995
				90	280M	1800	750	670	1200	-	150	24	-50	160	1783				1083
				110	315S	1800	750	670	1200	-	150				1908	355	450	180	1239
				132	315M	1800	750	670	1200	-	150				2089				1581
200	150 SKH	500	4	75	250M	1800	750	670	1200	-	150								
				90	280M	1800	750	670	1200	-	180				1783				1113
				110	315S	1800	750	670	1200	-	180	24	-50	160	1908	400	500	180	1262
				132	315M	2100	850	775	1420	-	150				2089				1603
				160	315L	2100	850	775	1420	-	150				2149				1721
200	315L	2100	850	775	1420	-	150				2199				1781				

* Gap necessary for the withdrawal or bearing housing, backplate and impeller assembly towards the drive end.



No.4 Shaft Pumps with 980 RPM (Nominal Speed) TEFC Motors and ISO Pre-Fabricated Steel Base Plates - STANDARD COUPLING

PUMP SIZE			SHAFT No.	MOTOR kW	FRAME SIZE	DIMENSIONS (mm)														
INLET	OUTLET	IMP DIA				BL	BW	HC1	HC2	HC3	HB	BH	OH	A	UL	HS	H2	Gap X*	kg	
200	150 SHH	315	4	7.5	160M	1600	660	600	1060	-	125									504
				11	160L	1600	660	600	1060	-	125	24	-50	160	1528	315	400	180	532	
				15	180L	1800	750	670	1200	-	165				1598					626
250	200 SHJ	315	4	11	160L	1600	660	600	1060	-	125									572
				15	180L	1800	750	670	1200	-	165	24	-70	180	1618	315	450	180	666	
				18.5	200L	1800	750	670	1200	-	150				1648					690
			22	200L	1800	750	670	1200	-	150									720	
200	150 SJH	400	4	15	180L	1800	750	670	1200	-	165									691
				18.5	200L	1800	750	670	1200	-	150	24	-50	160	1628	315	450	180	715	
				22	200L	1800	750	670	1200	-	150				1628					745
				30	D225M	1800	750	670	1200	-	150				1718					797
125	100 SKF	500	4	11	160L	1600	660	600	1060	-	130									636
				15	180L	1800	750	670	1200	-	175									716
				18.5	200L	1800	750	670	1200	-	195	24	-50	160	1628	355	450	180	745	
				22	200L	1800	750	670	1200	-	195				1628					775
				30	D225M	1800	750	670	1200	-	170				1718					841
150	125 SKG	500	4	18.5	200L	1800	750	670	1200	-	195									769
				22	200L	1800	750	670	1200	-	195	24	-50	160	1628	355	450	180	799	
				30	D225M	1800	750	670	1200	-	170				1718					865
				37	D250M	1800	750	670	1200	-	150				1783					976
200	150 SKH	500	4	22	200L	1800	750	670	1200	-	150									840
				30	D225M	1800	750	670	1200	-	175				1718					876
				37	D250M	1800	750	670	1200	-	150	24	-50	160	1783	400	500	180	1006	
				45	D280S	1800	750	670	1200	-	180				1858					1131
				55	D280M	1800	750	670	1200	-	180				1908					1190

* Gap necessary for the withdrawal or bearing housing, backplate and impeller assembly towards the drive end.

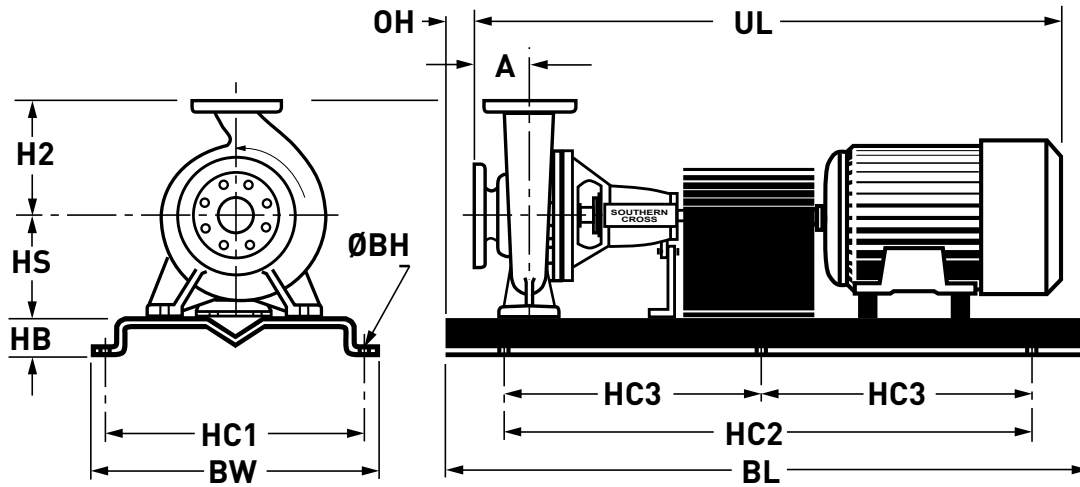
PUMP DIMENSIONS

ISO2858

END SUCTION PUMPS
TECHNICAL DATA



CENTRIFUGAL PUMP TECHNICAL DATA



Pumps with **2900 RPM** (Nominal Speed) TEFC Motors and Pressed Steel Base Plates - **SPACER COUPLING**

PUMP SIZE			SHAFT No.	MOTOR kW	FRAME SIZE	DIMENSIONS (mm)												
INLET	OUTLET	IMP DIA				BL	BW	HC1	HC2	HC3	HB	BH	OH	A	UL	HS	H2	kg
50	32 SEA	160	1	2.2	90	1100	426	396	900	450	40	15			910	132		94
				3	100L	1100	426	396	900	450	40	15	20	80	950	132	160	102
				4	112M	1100	426	396	900	450	40	15			965	132		115
				5.5	132S	1200	520	470	900	450	74	15			1035	132		144
65	50 SEB	160	1	4	112M	1100	426	396	900	450	40	15			965	132		116
				5.5	132S	1200	520	470	900	450	74	15	20	80	1035	132	160	145
				7.5	132S	1200	520	470	900	450	74	15			1035	132		151
80	65 SEC	160	1	5.5	132S	1200	520	470	900	450	74	15			1055	160		152
				7.5	132S	1200	520	470	900	450	74	15	20	100	1055	160	180	158
				11	160M	1200	520	470	900	450	74	15			1200	160		203
				15	160M	1200	572	522	900	450	93	19			1200	160		224
100	80 SED	160	2	11	160M	1200	520	470	900	450	74	15			1315	160		221
				15	160M	1500	622	572	1200	600	68	19	19.5	100	1315	160	200	252
				18.5	160L	1500	622	572	1200	600	68	19			1370	160		274
50	32 SFA	200	1	5.5	132S	1200	520	470	900	450	74	15			1035	160		152
				7.5	132S	1200	520	470	900	450	74	15	20	80	1035	160	180	158
				11	160M	1200	520	470	900	450	74	15			1180	160		203
65	40 SFB	200	1	7.5	132S	1200	520	470	900	450	74	15			1055	160		160
				11	160M	1200	520	470	900	450	74	15	20	100	1200	160	180	205
				15	160M	1200	572	522	900	450	93	19			1200	160		226
80	50 SFC	200	1	11	160M	1200	520	470	900	450	74	15			1200	160		207
				15	160M	1200	572	522	900	450	93	19	20	100	1200	160	200	228
				18.5	160L	1200	572	522	900	450	93	19			1255	160		250
				22	180M	1200	572	522	900	450	93	19			1285	180		288
100	65 SFD	200	2	18.5	160L	1500	622	572	1200	600	68	19			1410	180		280
				22	180M	1500	622	572	1200	600	68	19	19.5	100	1440	180	225	313
				30	200L	1500	622	572	1200	600	68	19			1510	200		379
				37	200L	1500	622	572	1200	600	68	19			1510	200		394
125	80 SFE	200	2	22	180M	1500	622	572	1200	600	68	19			1465	180		322
				30	200L	1500	622	572	1200	600	68	19	20.5	125	1535	200	250	388
				37	200L	1500	622	572	1200	600	68	19			1535	200		403
				45	225M	1500	622	572	1200	600	68	19			1580	225		459

* Gap necessary for the withdrawal or bearing housing, backplate and impeller assembly towards the drive end.



CENTRIFUGAL PUMP TECHNICAL DATA

ISO2858

END SUCTION PUMPS
TECHNICAL DATA

PUMP DIMENSIONS

PUMP SIZE			SHAFT No.	MOTOR kW	FRAME SIZE	DIMENSIONS (mm)												
INLET	OUTLET	IMP DIA				BL	BW	HC1	HC2	HC3	HB	BH	OH	A	UL	HS	H2	kg
125	100 SFF	200	2	30	200L	1500	622	572	1200	600	68	19	20	125	1535	200	280	391
				37	200L	1500	622	572	1200	600	68	19			1535	200		406
				45	225M	1500	622	572	1200	600	68	19			1580	225		464
				55	250M	1500	676	626	1100	550	120	24			1675	250		601
				75	280S	1600	731	681	1200	600	120	24			1750	280		764
65	40 SGB	250	2	11	160M	1500	622	572	1200	600	68	19	19.5	100	1315	180	225	249
				15	160M	1500	622	572	1200	600	68	19			1315	180		257
				18.5	160L	1500	622	572	1200	600	68	19			1370	180		279
				22	180M	1500	622	572	1200	600	68	19			1400	180		312
				30	200L	1500	622	572	1200	600	68	19			1470	200		378
80	50 SGC	250	2	22	180M	1500	622	572	1200	600	68	19	20.5	125	1425	180	225	317
				30	200L	1500	622	572	1200	600	68	19			1495	200		383
				37	200L	1500	622	572	1200	600	68	19			1495	200		398
				45	225M	1500	622	572	1200	600	68	19			1540	225		454
100	65 SGD	250	2	30	200L	1500	622	572	1200	600	68	19	20	125	1535	200	250	388
				37	200L	1500	622	572	1200	600	68	19			1535	200		403
				45	225M	1500	622	572	1200	600	68	19			1580	225		461
				55	250M	1500	676	626	1100	550	120	24			1675	250		598
125	80 SGE	250	2	75	280S	1600	731	681	1200	600	120	24	20	125	1750	280	280	758
				90	280M	1600	731	681	1200	600	120	24			1800	280		834
				45	225M	1500	622	572	1200	600	68	19			1580	225		462
				55	250M	1500	676	626	1100	550	120	24			1675	250		599
125	100 SGF	250	3	55	D280	1600	731	681	1200	600	120	24	20	140	1720	250	280	643
				75	D280	1800	775	725	1400	700	120	24			1795	280		871
				90	D280	1800	775	725	1400	700	120	24			1845	280		947
				110	D280	1800	775	725	1400	700	120	24			1845	280		1087
65	40 SHB	315	2	22	180M	1500	622	572	1200	600	68	19	20.5	125	1425	200	250	334
				30	200L	1500	622	572	1200	600	68	19			1495	200		394
				37	200L	1500	622	572	1200	600	68	19			1495	200		409
				45	225M	1500	622	572	1200	600	68	19			1540	225		466
80	50 SHC	315	2	30	200L	1500	622	572	1200	600	68	19	20.5	125	1495	225	280	401
				37	200L	1500	622	572	1200	600	68	19			1495	225		416
				45	225M	1500	622	572	1200	600	68	19			1540	225		467
				55	250M	1500	676	626	1100	550	120	24			1635	250		603
100	65 SHD	315	3	75	280S	1600	731	681	1200	600	120	24	20	125	1705	250	280	643
				90	280M	1800	775	725	1400	700	120	24			1780	280		871
				110	280M	1800	775	725	1400	700	120	24			1830	280		947
				132	315M	1800	775	725	1400	700	120	24			1830	280		1086
125	80 SHE	315	3	75	280S	1800	775	725	1400	700	120	24	20	125	1780	280	315	875
				90	280M	1800	775	725	1400	700	120	24			1830	280		951
				110	280M	1800	775	725	1400	700	120	24			1830	280		1091
				132	315M	1800	775	725	1400	700	120	24			2033	315		1416
125	100 SHF	315	3	90	280M	1800	775	725	1400	700	120	24	20	140	1845	280	315	959
				110	280M	1800	775	725	1400	700	120	24			1845	280		1099
				132	315M	1800	775	725	1400	700	120	24			2048	315		1424

* Gap necessary for the withdrawal or bearing housing, backplate and impeller assembly towards the drive end.

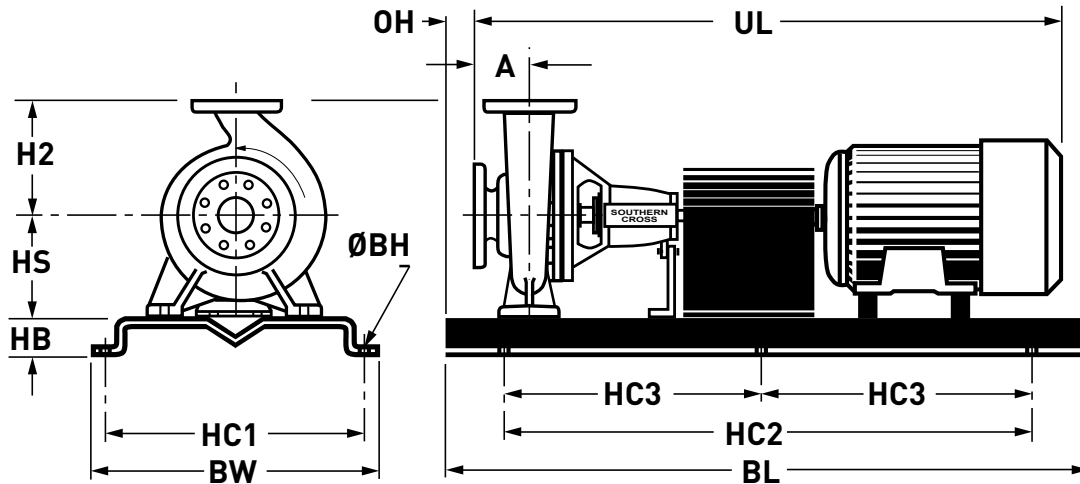
PUMP DIMENSIONS

ISO2858

END SUCTION PUMPS
TECHNICAL DATA



CENTRIFUGAL PUMP TECHNICAL DATA



Pumps with **1450 RPM** (Nominal Speed) TEFC Motors and Pressed Steel Base Plates - **SPACER COUPLING**

PUMP SIZE			SHAFT No.	MOTOR kW	FRAME SIZE	DIMENSIONS (mm)												
INLET	OUTLET	IMP DIA				BL	BW	HC1	HC2	HC3	HB	BH	OH	A	UL	HS	H2	kg
50	32 SEA	160	1	0.55	80	1100	426	396	900	450	40	15	20	80	860	132	160	86
				0.75	80	1100	426	396	900	450	40	15		860			87	
65	50 SEB	160	1	0.55	80	1100	426	396	900	450	40	15		80	860			87
				0.75	80	1100	426	396	900	450	40	15	20	860	132	160	88	
				1.1	90S	1100	426	396	900	450	40	15		885			92	
80	65 SEC	160	1	0.75	80	1100	426	396	900	450	40	15			880			94
				1.1	90S	1100	426	396	900	450	40	15	20	905	160	180	98	
				1.5	90L	1100	426	396	900	450	40	15		930			103	
100	80 SED	160	2	1.1	90S	1100	426	396	900	450	40	15			1020			116
				1.5	90L	1100	426	396	900	450	40	15	19.5	100	1045	160	200	121
				2.2	100L	1100	426	396	900	450	40	15		1085			130	
				3	100L	1100	426	396	900	450	40	15		1085			134	
50	32 SFA	200	1	0.75	80	1100	426	396	900	450	40	15			860			94
				1.1	90S	1100	426	396	900	450	40	15	20	80	885	160	180	98
				1.5	90L	1100	426	396	900	450	40	15		910			103	
65	40 SFB	200	1	1.1	90S	1100	426	396	900	450	40	15			905			100
				1.5	90L	1100	426	396	900	450	40	15	20	100	930	160	180	105
				2.2	100L	1100	426	396	900	450	40	15		970			114	
80	50 SFC	200	1	1.5	90L	1100	426	396	900	450	40	15			930			107
				2.2	100L	1100	426	396	900	450	40	15	20	100	970	160	200	116
				3	100L	1100	426	396	900	450	40	15		970			120	
100	65 SFD	200	2	2.2	100L	1100	426	396	900	450	40	15			1125			135
				3	100L	1100	426	396	900	450	40	15	19.5	100	1125	180	225	139
				4	112M	1100	426	396	900	450	40	15		1140			141	
				5.5	132S	1200	520	470	900	450	74	15		1210			179	
125	80 SFE	200	2	3	100L	1100	426	396	900	450	40	15			1150			148
				4	112M	1100	426	396	900	450	40	15	20.5	125	1165	180	250	150
				5.5	132S	1200	520	470	900	450	74	15		1235			188	
				7.5	132M	1200	520	470	900	450	74	15		1275			201	
125	100 SFF	200	2	4	112M	1100	426	396	900	450	40	15			1165			160
				5.5	132S	1200	520	470	900	450	74	15	20	125	1235	200	280	196
				7.5	132M	1200	520	470	900	450	74	15		1275			209	

* Gap necessary for the withdrawal of bearing housing, backplate and impeller assembly towards the drive end.



CENTRIFUGAL PUMP TECHNICAL DATA

ISO2858
END SUCTION PUMPS
TECHNICAL DATA

**PUMP
DIMENSIONS**

PUMP SIZE			SHAFT No.	MOTOR kW	FRAME SIZE	DIMENSIONS (mm)												
INLET	OUTLET	IMP DIA				BL	BW	HC1	HC2	HC3	HB	BH	OH	A	UL	HS	H2	kg
65	40 SGB	250	2	1.5	90L	1100	426	396	900	450	40	15	19.5	100	1045	180	225	125
				2.2	100L	1100	426	396	900	450	40	15			1085			134
				3	100L	1100	426	396	900	450	40	15			1085			138
80	50 SGC	250	2	3	100L	1100	426	396	900	450	40	15	20.5	125	1110	180	225	143
				4	112M	1100	426	396	900	450	40	15			1125			145
				5.5	132S	1200	520	470	900	450	74	15			1195			183
100	65 SGD	250	2	4	112M	1100	426	396	900	450	40	15	20	125	1165	200	250	157
				5.5	132S	1200	520	470	900	450	74	15			1235			193
				7.5	132M	1200	520	470	900	450	74	15			1275			206
125	80 SGE	250	2	5.5	132S	1200	520	470	900	450	74	15	20	125	1235	225	280	199
				7.5	132M	1200	520	470	900	450	74	15			1275			212
				11	160M	1500	622	572	1200	600	68	19			1380			275
125	100 SGF	250	3	7.5	132M	1200	520	470	900	450	74	15	20	140	1320	225	280	244
				11	160M	1500	622	572	1200	600	68	19			1425			307
				15	160L	1500	622	572	1200	600	68	19			1480			330
150	125 SGG	250	3	11	160M	1500	622	572	1200	600	68	19	20	140	1425	250	355	323
				15	160L	1500	622	572	1200	600	68	19			1480			346
				18.5	180M	1500	622	572	1200	600	68	19			1510			383
				22	180L	1500	622	572	1200	600	68	19			1550			393
65	40 SHB	315	2	3	100L	1100	426	396	900	450	40	15	20.5	125	1110	200	250	159
				4	112M	1100	426	396	900	450	40	15			1125			163
				5.5	132S	1200	520	470	900	450	74	15			1195			199
80	50 SHC	315	2	4	112M	1100	426	396	900	450	40	15	20.5	125	1125	225	280	166
				5.5	132S	1200	520	470	900	450	74	15			1195			205
				7.5	132M	1200	520	470	900	450	74	15			1235			218
100	65 SHD	315	3	7.5	132M	1200	520	470	900	450	74	15	20	125	1305	225	280	244
				11	160M	1500	622	572	1200	600	68	19			1410			307
				15	160L	1500	622	572	1200	600	68	19			1465			330
125	80 SHE	315	3	11	160M	1500	622	572	1200	600	68	19	20	125	1410	250	315	318
				15	160L	1500	622	572	1200	600	68	19			1465			341
				18.5	180M	1500	622	572	1200	600	68	19			1495			378
125	100 SHF	315	3	11	160M	1500	622	572	1200	600	68	19	20	140	1425	250	315	326
				15	160L	1500	622	572	1200	600	68	19			1480			349
				18.5	180M	1500	622	572	1200	600	68	19			1510			386
				22	180L	1500	622	572	1200	600	68	19			1550			393
150	125 SHG	315	3	18.5	180M	1500	622	572	1200	600	68	19	20	140	1510	280	355	406
				22	180L	1500	622	572	1200	600	68	19			1550			417
				30	200L	1500	622	572	1200	600	68	19			1580			502
				37	225S	1500	622	572	1200	600	68	19			1630			519
				45	225M	1500	622	572	1200	600	68	19			1655			555
125	80 SJE	400	3	15	160L	1500	622	572	1200	600	68	19	20	125	1465	280	355	376
				18.5	180M	1500	622	572	1200	600	68	19			1495			413
				22	180L	1500	622	572	1200	600	68	19			1535			424
				30	200L	1500	622	572	1200	600	68	19			1565			509
125	100 SJF	400	3	22	180L	1500	622	572	1200	600	68	19	20	140	1550	280	355	436
				30	200L	1500	622	572	1200	600	68	19			1580			521
				37	225S	1500	622	572	1200	600	68	19			1630			538
				45	225M	1500	622	572	1200	600	68	19			1655			574
150	125 SJG	400	3	37	225S	1500	622	572	1200	600	68	19	20	140	1630	315	400	560
				45	225M	1500	622	572	1200	600	68	19			1655			596
				55	250	1800	775	725	1400	700	120	24			1720			804
				75	250	1800	775	725	1400	700	120	24			1720			892

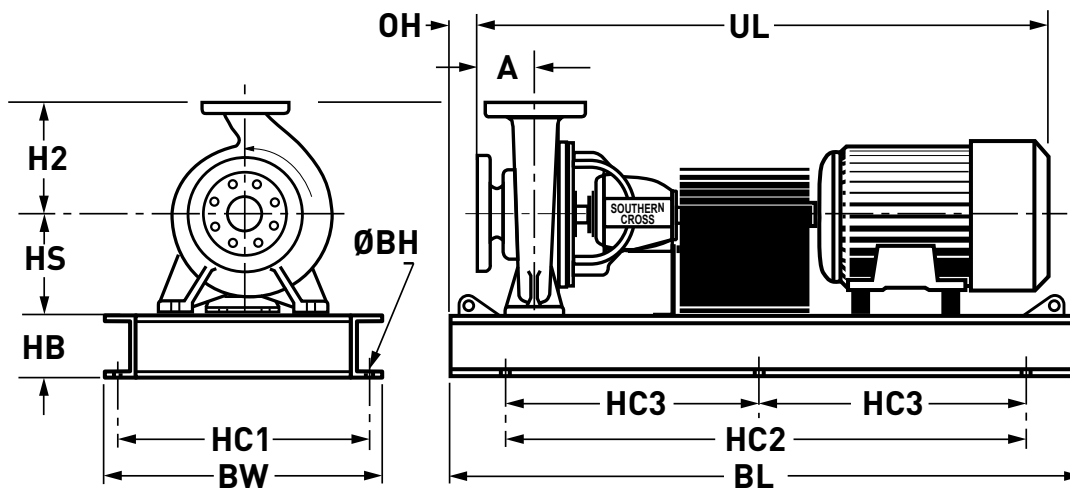
* Gap necessary for the withdrawal or bearing housing, backplate and impeller assembly towards the drive end.



PUMP DIMENSIONS

ISO2858

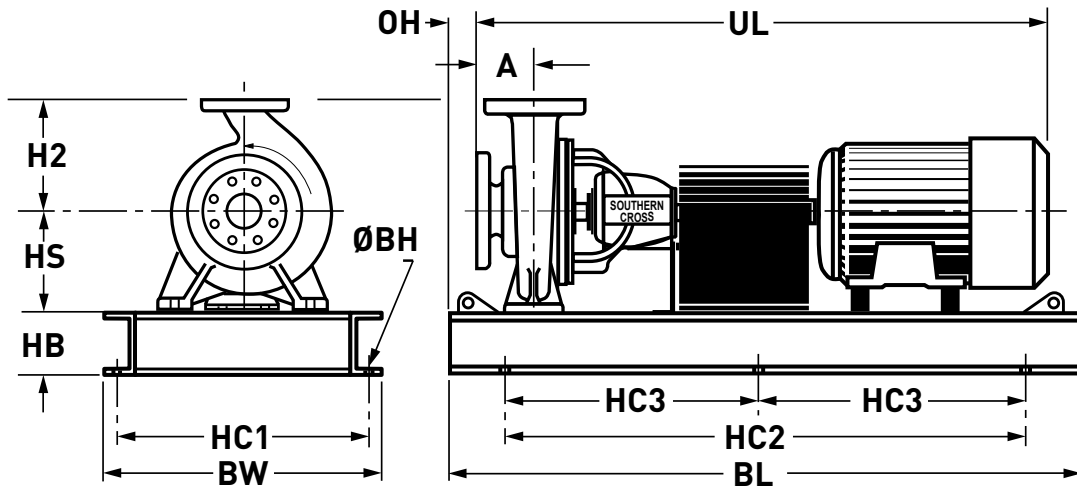
END SUCTION PUMPS
TECHNICAL DATA



No. 4 Shaft Pumps with 1450 RPM (Nominal Speed) TEFC Motors and ISO Pre-Fabricated Steel Base Plates - SPACER COUPLING

PUMP SIZE			SHAFT No.	MOTOR kW	FRAME SIZE	DIMENSIONS (mm)												kg
INLET	OUTLET	IMP DIA				BL	BW	HC1	HC2	HC3	HB	BH	OH	A	UL	HS	H2	
200	150 SHH	315	4	30	200L	1800	750	670	1200	-	150			1780			744	
				37	225S	1800	750	670	1200	-	150	24	-50	160	1830	315	400	765
				45	225M	1800	750	670	1200	-	150				1855			794
				55	250M	1800	750	670	1200	-	150				1920			906
250	200 SHJ	315	4	37	225S	1800	750	670	1200	-	150			1850			805	
				45	225M	1800	750	670	1200	-	150	24	-70	180	1875	315	450	834
				55	250M	1800	750	670	1200	-	150				1940			946
				75	250M	1800	750	670	1200	-	150				1940			1034
200	150 SJH	400	4	55	250M	1800	750	670	1200	-	150			1920			971	
				75	250M	1800	750	670	1200	-	150	24	-50	160	1920	315	450	1059
				90	280M	1800	750	670	1200	-	150				2045			1223
				110	315S	1800	750	670	1200	-	150				2218			1557
125	100 SKF	500	4	45	225M	2000	750	670	1400	-	170			1855			899	
				55	250M	1800	750	670	1200	-	150	24	-50	160	1920	355	450	1011
				75	250M	1800	750	670	1200	-	150				1920			1099
				90	280M	1800	750	670	1200	-	150				2045			1263
150	125 SKG	500	4	55	250M	1800	750	670	1200	-	150			1920			1036	
				75	250M	1800	750	670	1200	-	150				1920			1123
				90	280M	1800	750	670	1200	-	150	24	-50	160	2045	355	450	1287
				110	315S	1800	750	670	1200	-	150				2218			1623
				132	315M	2100	850	775	1420	-	150				2278			1737
200	150 SKH	500	4	75	250M	2000	750	670	1400	-	150			1920			1148	
				90	280M	2000	750	670	1400	-	180				2045			1307
				110	315S	2000	750	670	1400	-	180	24	-50	160	2218	400	500	1648
				132	315M	2100	850	775	1420	-	150				2278			1762
				160	315L	2100	850	775	1420	-	150				2328			1822
200	315L	2100	850	775	1420	-	150				2328			1862				

* Gap necessary for the withdrawal or bearing housing, backplate and impeller assembly towards the drive end.



No. 4 Shaft Pumps with 980 RPM (Nominal Speed) TEFC Motors and ISO Pre-Fabricated Steel Base Plates - SPACER COUPLING

PUMP SIZE			SHAFT No.	MOTOR kW	FRAME SIZE	DIMENSIONS (mm)												
INLET	OUTLET	IMP DIA				BL	BW	HC1	HC2	HC3	HB	BH	OH	A	UL	HS	H2	kg
200	150 SHH	315	4	7.5	160M	1600	660	600	1060	-	125			1625			587	
				11	160L	1600	660	600	1060	-	125	24	-50	160	1680	315	400	615
				15	180L	2000	750	670	1400	-	165				1750			666
250	200 SHJ	315	4	11	160L	1600	660	600	1060	-	125			1700			655	
				15	180L	2000	750	670	1400	-	165	24	-70	180	1770	315	450	706
				18.5	200L	1800	750	670	1200	-	150				1800			734
				22	200L	1800	750	670	1200	-	150				1800			764
200	150 SJH	400	4	15	180L	2000	750	670	1400	-	165			1750			731	
				18.5	200L	1800	750	670	1200	-	150	24	-50	160	1780	315	450	759
				22	200L	1800	750	670	1200	-	150				1780			789
				30	D225M	1800	750	670	1200	-	150				1855			831
125	100 SKF	500	4	11	160L	1600	660	600	1060	-	130			1680			720	
				15	180L	1800	750	670	1200	-	175				1750			770
				18.5	200L	1800	750	670	1200	-	195	24	-50	160	1780	355	450	799
				22	200L	1800	750	670	1200	-	195				1780			829
				30	D225M	2000	750	670	1400	-	170				1855			871
150	125 SKG	500	4	18.5	200L	1800	750	670	1200	-	195			1780			823	
				22	200L	1800	750	670	1200	-	195	24	-50	160	1780	355	450	853
				30	D225M	2000	750	670	1400	-	170				1855			895
				37	D250M	1800	750	670	1200	-	150				1920			1016
200	150 SKH	500	4	22	200L	1800	750	670	1200	-	150			1780			878	
				30	D225M	1800	750	670	1200	-	175				1855			920
				37	D250M	2000	750	670	1400	-	150	24	-50	160	1920	400	500	1041
				45	D280S	2000	750	670	1400	-	180				1995			1176
				55	D280M	2000	750	670	1400	-	180				2045			1235

* Gap necessary for the withdrawal or bearing housing, backplate and impeller assembly towards the drive end.

MATERIAL SPECIFICATIONS

ISO2858

END SUCTION PUMPS
TECHNICAL DATA



SYMBOL	MATERIAL	SPECIFICATIONS	COMPONENT WHERE USED
CI	Cast Iron	AS1830/T260 Equivalent Standards: BS 1452 (1977) Grade 260 ANSI. 625.1 Class 40 ASTM A48 Class 40	Bearing Housing Bearing Cover Volute Casing Backplate Impeller
ZF		AS 1565/ C90250 Equivalent Standards: BS 1400 PB3, ISO 1338 CU SN 10	Volute Casing* Backplate* Impeller* Wear rings
SS	Cast Stainless Steel	AS2074/H6B Equivalent Standards BS 100 (1976) Grade 316C16 ASTM A296 Grade CF8M	Volute Casing* Backplate* Impeller Wear rings*
	Wrought Stainless Steel	AS 2837/431 Equivalent Standards: BS 970 Grade 431 S29 ASTM A176/S43100	Shaft
		AS 2837/316 Equivalent Standards: BS 970 Grade 319S16 ASTM A240/S31609	Shaft Impeller Washer Impeller Nut Casing & Discharge Flange Plugs*
	316 Stainless Steel	AS 2548 Gr. A4-80	Bolts & Setscrews (ZF & SS Only)*
	2205 Duplex Stainless Steel	UNS S31803 ASTM A276-98b	Shaft* Impeller key
MS	Mild Steel	AS 1204/250	Support Foot
HT	High Tensile Steel	AS 1110 Gr. 8.8	All Bolts and Setscrews
	Mild Steel Zinc Plated		Casing and Discharge Flange Plugs
	Key Steel		Pulley key

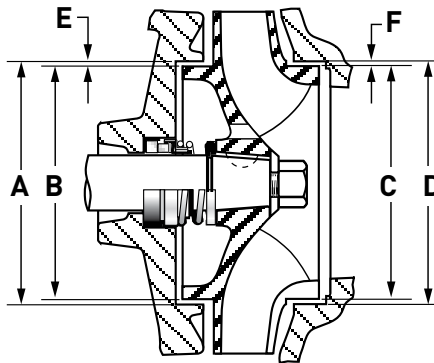
* Material option only available in ISO-PRO Pumps.

PAINTING

One Coat - WattyL Super Etch Grey Primer (WattyL Part No. 123907)

Two Coats - WattyL Hammer Finish Green (WattyL Part no. 151741)

Colour - Hammer Finish Green



PUMP SIZE	IMPELLER AND CASING SEALING DIAMETERS						RADIAL CLEARANCE			
	A	B		C		D	E		F	
		CI/ZF	SS	CI/ZF	SS		CI/ZF	SS	CI/ZF	SS
50 x 32-160 65 x 50-160	92.05	91.76	91.63	91.76	91.63	92.05	0.12	0.18	0.12	0.18
	92.00	91.71	91.58	91.71	91.58	92.00	0.17	0.23	0.17	0.23
80 x 65-160	92.05	91.76	91.63	104.72	104.57	105.05	0.12	0.18	0.14	0.21
	92.00	91.71	91.58	104.67	104.52	105.00	0.17	0.23	0.19	0.26
100x 80-160	132.05	131.68	131.51	131.68	131.51	132.05	0.16	0.24	0.16	0.24
	132.00	131.61	131.44	131.61	131.44	132.00	0.22	0.30	0.22	0.30
50 x 32-200 65 x 40-200	105.05	104.72	104.57	91.76	91.63	92.05	0.14	0.21	0.12	0.18
	105.00	104.67	104.52	91.71	91.58	92.00	0.19	0.26	0.17	0.23
80 x 50-200	105.05	104.72	104.57	104.72	104.57	105.05	0.14	0.21	0.14	0.21
	105.00	104.67	104.52	104.67	104.52	105.00	0.19	0.26	0.19	0.26
100 x 65-200	132.05	131.68	131.51	131.68	131.51	132.05	0.16	0.24	0.16	0.24
	132.00	131.61	131.44	131.61	131.44	132.00	0.22	0.30	0.22	0.30
125 x 80-200 125 x 100-200	160.05	159.66	159.49	159.66	159.49	160.05	0.17	0.25	0.17	0.25
	160.00	159.59	159.42	159.59	159.42	160.00	0.23	0.31	0.23	0.31
65 x 40-250 80 x 50-250	115.05	114.70	114.55	114.70	114.55	115.05	0.15	0.22	0.15	0.22
	115.00	114.65	114.50	114.65	114.50	115.00	0.20	0.27	0.20	0.27
100 x 65-250	132.05	131.68	131.51	131.68	131.51	132.05	0.16	0.24	0.16	0.24
	132.00	131.61	131.44	131.61	131.44	132.00	0.22	0.30	0.22	0.30
125 x 80-250	132.05	131.68	131.51	159.66	159.49	160.05	0.16	0.24	0.17	0.25
	132.00	131.61	131.44	159.59	159.42	160.00	0.22	0.30	0.23	0.31
65 x 40-315	115.05	114.70	114.55	104.72	104.57	105.05	0.15	0.22	0.14	0.21
	115.00	114.65	114.50	104.67	104.52	105.00	0.20	0.27	0.19	0.26
80 x 50-315	115.05	114.70	114.55	114.70	114.55	115.05	0.15	0.22	0.15	0.22
	115.00	114.65	114.50	114.65	114.50	115.00	0.20	0.27	0.20	0.27
125 x 100-250 150 x 125-250 150 x 125-315 125 x 80-400 125 x 100-400 150 x 125-400	186.05	185.66	185.48	185.66	185.48	186.05	0.17	0.26	0.17	0.26
	186.00	185.59	185.41	185.59	185.41	186.00	0.23	0.32	0.23	0.32
100 x 65-315 125 x 80-315 125 x 100-315	160.05	159.66	159.49	159.66	159.49	160.05	0.17	0.25	0.17	0.25
	160.00	159.59	159.42	159.59	159.42	160.00	0.23	0.31	0.23	0.31
200 x 150-315	265.66	265.11	264.97	235.09	234.93	235.59	0.24	0.31	0.22	0.30
	265.60	265.05	264.91	235.03	234.87	235.53	0.30	0.37	0.28	0.36
250 x 200-315	265.66	265.11	264.97	265.11	264.97	265.66	0.24	0.31	0.24	0.31
	265.60	265.05	264.91	265.05	264.91	265.60	0.30	0.37	0.30	0.37
125 x 100-500	235.59	235.09	234.93	170.09	169.90	170.51	0.22	0.30	0.18	0.27
	235.53	235.03	234.87	170.03	169.84	170.45	0.28	0.36	0.24	0.33
150 x 125-500 200x150-500	235.59	235.09	234.93	200.10	199.90	200.55	0.22	0.30	0.19	0.29
	235.53	235.03	234.87	200.04	199.84	200.49	0.28	0.36	0.25	0.35
200x150-400	235.59	235.09	234.93	235.09	234.93	235.59	0.22	0.30	0.22	0.30
	235.53	235.03	234.87	235.03	234.87	235.53	0.28	0.36	0.28	0.36

WEAR RING TOLERANCES

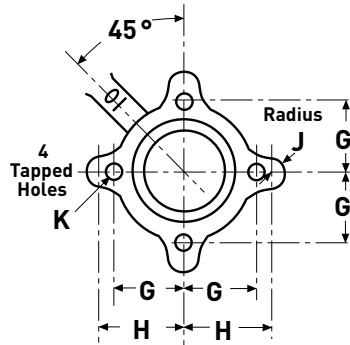
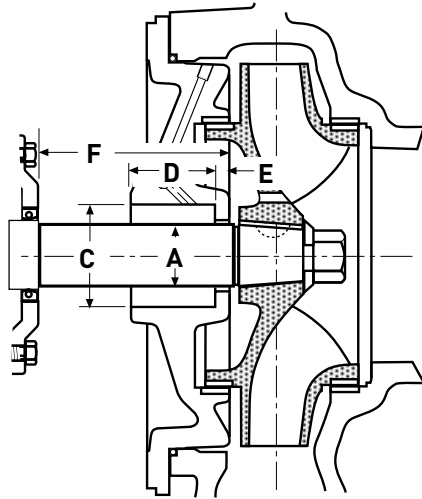
ISO2858

END SUCTION PUMPS
TECHNICAL DATA



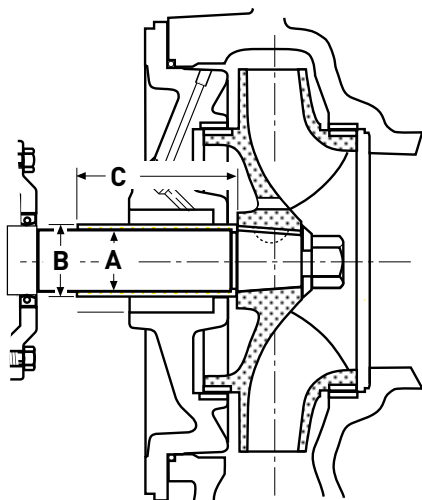
Machining Sizes to Retrofit Wear Rings to Casings and Impellers

NOMINAL SIZE	IMPELLER WEAR RING	IMPELLER TURN SIZE (mm)	CASING WEAR RING	CASING BORE SIZE (mm)
92mm	SEA026	Ø 84.830 / 84.795	SEA027	Ø 99.000 / 99.035
105mm	SEC026	Ø 97.830 / 97.795	SEC027	Ø 112.000 / 112.035
115mm	SGB026	Ø 106.800 / 106.765	SGB027	Ø 123.000 / 123.035
132mm	SED026	Ø 123.77 / 123.73	SED027	Ø 140.000 / 140.040
160mm	SFF026	Ø 151.770 / 151.730	SFF027	Ø 168.000 / 168.040
170mm	SKF026	Ø 158.08 / 158.03	SKF027	Ø 182.46 / 182.51
185mm	SGF026	Ø 177.770 / 177.730	SGF027	Ø 194.000 / 194.040
200mm	SKG026	Ø 188.10 / 188.05	SKG027	Ø 210.50 / 210.55
235mm	SHH026	Ø 223.09 / 223.04	SHH027	Ø 247.55 / 247.60
265mm	SHJ026	Ø 253.10 / 253.05	SHJ027	Ø 277.62 / 277.67



**Seal Cavity
Dimension
Data**

SHAFT MODULE	A	C	D	E	F	G	H	J	K
No. 1 Shaft	32.97 33.00	56.10 56.25	56.00	7.00	109	39.0	45	12	M10 x 1.5
No. 2 Shaft	42.97 43.00	66.10 66.25	56.00	8.00	116	45.0	51	12	M10 x 1.5
No. 3 Shaft	52.97 53.00	80.10 80.25	68.50	9.00	135	53.0	60	12	M10 x 1.5
No. 4 Shaft	59.96 60.00	92.10 92.30	100.0	10.0	167	62.5	62.5	12	M12 x 1.75



**Shaft Sleeve
Dimension Data**

SHAFT MODULE	A	B	C
No. 1 Shaft	33	40	96
No. 2 Shaft	43	50	96
No. 3 Shaft	53	60	110
No. 4 Shaft	60	68	140

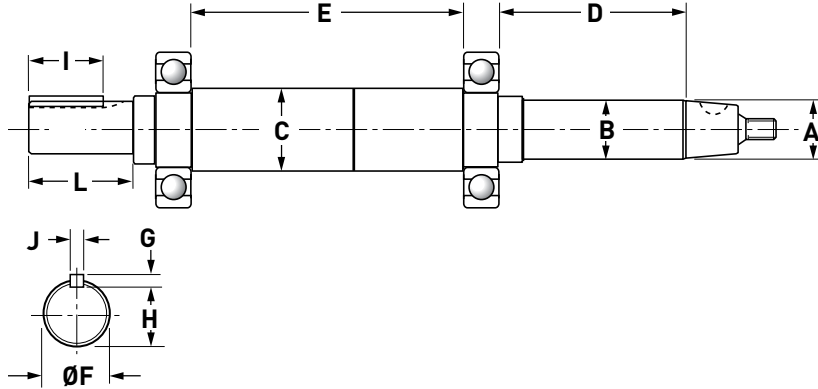
SHAFT DIMENSIONS

ISO2858

END SUCTION PUMPS
TECHNICAL DATA

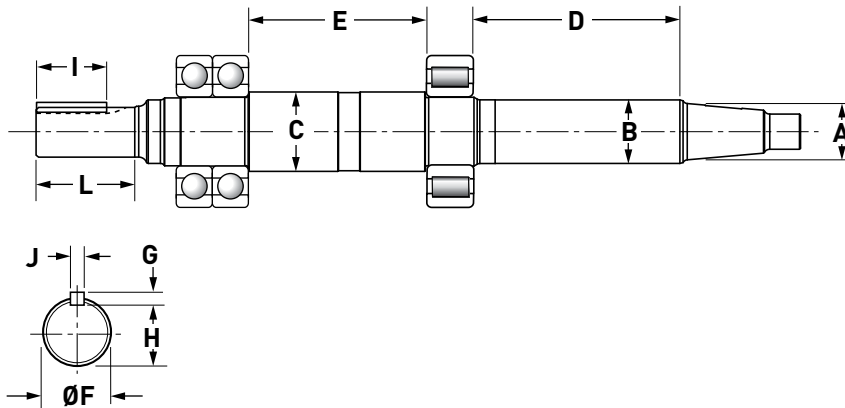


ISO SOVEREIGN PUMPS

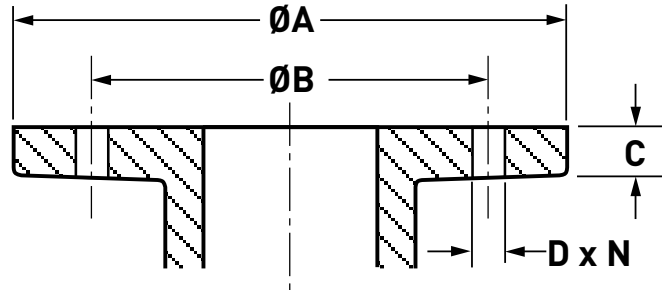


SHAFT MODULE	SHAFT DIMENSIONS (mm)												BEARING SIZES		
	A	B	C	D	E	F (Dia.)		G	H (Depth)		I	J	L	IMP. END	DRIVE END
						NOM.	TOL.		NOM.	TOL.					
No. 1 Shaft	25.27	33	45	127	134	24	+0.01 -0.01	7	20	+0 -0.02	30	8	50	6307	6306
No. 2 Shaft	34.8	43	54	138.5	200.2	32	+0.02 -0	8	27	+0 -0.02	55	10	80	6309	6308
No. 3 Shaft	45	53	66	156	164	42	+0.02 -0	8	37	+0 -0.02	80	12	110	6311	6310
No. 4 Shaft	53	60	75	201	226	48	+0.02 -0.01	9	42.5	+0 -0.02	80	14	110	6313	6313

ISO PRO PUMPS (ISO5199 STANDARD)



SHAFT MODULE	SHAFT DIMENSIONS (mm)												BEARING SIZES		
	A	B	C	D	E	F (Dia.)		G	H (Depth)		I	J	L	IMP. END	DRIVE END
						NOM.	TOL.		NOM.	TOL.					
No 1 SHAFT	25.27	33	45	128	105.5	24	+0.01 -0.01	7	20	+0.0 -0.2	28	8	48	NJ307ECP	7307BECBP (x2)
No 2 SHAFT	34.8	43	54	138	154	32	+0.02 -0.0	8	27	+0.0 -0.2	55	10	80	NJ2309ECP	7309BECBP (x2)
No 3 SHAFT	45	53	66	156	112	42	+0.02 -0.01	8	37	+0.0 -0.2	80	12	110	NJ2311ECP	7311BECBP (x2)
No 3 SHAFT	53	53	66	156	112	42	+0.02 -0.01	8	37	+0.0 -0.2	80	12	110	NJ2311ECP	7311BECBP (x2)
No 4 SHAFT	53	60	75	202.2	168	48	+0.02 -0.01	9	42.5	+0.1 -0.25	80	14	110	NJ2313ECP	7313BECBP (x2)



NOMINAL FLANGE SIZE		32	40	50	65	80	100*	125*	150*	200*	250*
FLANGE DIAMETER	A	140	150	165	185	200	220	250	285	340	405
HOLE P.C.D.	B	87	98	114	127	146	178	210	235	292	356
FLANGE THICKNESS	C	18	18	20	20	22	24	26	26	30	32
HOLE DIAMETER	D	14	14	18	18	18	18	18	22	22	22
NUMBER OF HOLES	N	4	4	4	4	4	8	8	8	8	12

NOTE:

1. Holes machined off centrelines.
2. Flange drilling as shown below conforms to AS2129 - 1982 Table 'E' for cast iron flanges.
3. Flange drilling to ANSI B16.1.1975 Class 125 (ISO7005 - PN20) PN16 are available options.

* Discharge flanges on No. 4 shaft pumps are tapped as follows:

125x100-500 and 150x125-500 tapped M16 x 2mm

200x150-315, 200x150-400, 200x150-500 and 250x200-315 tapped M20 x 2.5mm

MISC. PUMP DATA

ISO2858

END SUCTION PUMPS
TECHNICAL DATA

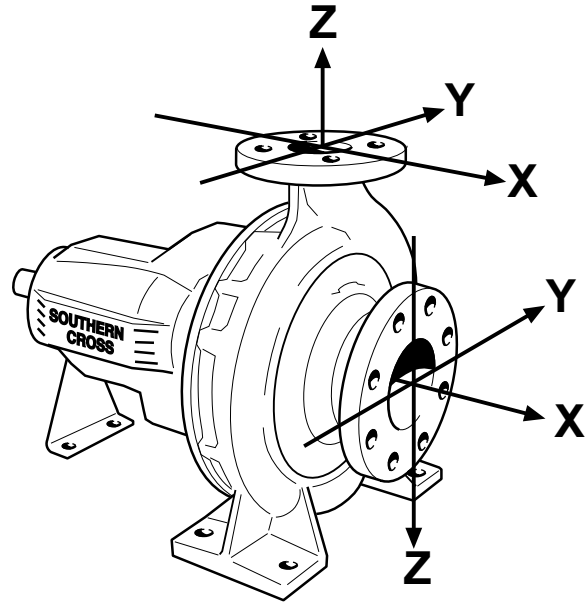


CENTRIFUGAL PUMP TECHNICAL DATA

PUMP SIZE	CI IMPELLER (kg)	IMPELLER ROTATIONAL INERTIA (kg.m ²)	MIN. CASING THICKNESS (mm)	CI / ZF IMPELLER		SHAFT CRITICAL SPEED (r.p.m.)	MAX OPERATING SPEED (r.p.m.)	IMPELLER	
				HYDROSTATIC TEST PRESSURE (kPa)	MAX. WORKING PRESSURE (kPa)			No. of VANES	MAX SPHERE SIZE (mm)
50 x 32 - 160	2.7	0.008	9	3800	2500	14,600	3600	6	5
65 x 50 - 160	2.6	0.008	9	3800	2500	14,600	3600	6	7
80 x 65 - 160	2.8	0.01	10	3800	2500	14,600	3600	6	11
100 x 80 - 160	4.2	0.014	10	3800	2500	16,700	3600	6	12
50 x 32 - 200	3.7	0.018	9	3300	2200	12,400	3600	6	4
65 x 40 - 200	4	0.019	9	3800	2500	12,400	3600	6	5
80 x 50 - 200	4	0.021	10	3800	2500	12,400	3600	6	9
100 x 65 - 200	6	0.033	10	2800	1850	14,900	3600	6	14
125 x 80 - 200	6.5	0.037	11.5	2620	1750	13,900	3000	6	15
125 x 100 - 200	6.4	0.036	13	3000	2000	14,400	3000	6	17
65 x 40 - 250	6	0.042	10	3300	2200	14,900	3600	5	5
80 x 50 - 250	6	0.042	10	2800	1900	14,900	3600	6	6
100 x 65 - 250	7	0.052	11	2600	1700	13,600	3000	6	9
125 x 80 - 250	8	0.061	12.5	2620	1750	12,600	3000	6	15
125 x 100 - 250	9.5	0.077	12	2400	1600	14,450	3000	6	23
150 x 125 - 250	10	0.088	14	2470	1650	13,970	2600	6	33
65 x 40 - 315	10.1	0.128	11	2800	1900	12,600	3000	5	5
80 x 50 - 315	9.2	0.112	12	3300	2200	11,800	3000	5	7
100 x 65 - 315	12.3	0.139	13	2700	1800	12,820	3000	6	9.5
125 x 80 - 315	13	0.152	14	2620	1750	12,300	3000	6	11.5
125 x 100 - 315	13.2	0.157	16	3070	2050	12,250	2800*	6	14.5
150 x 125 - 315	13.4	0.164	16	2470	1650	12,160	2300*	6	26
200 x 150 - 315	20	0.285	17	2400	1600	8660	1800*	6	23
250 x 200 - 315	24	0.36	18	2400	1600	7480	1800	6	29
125 x 80 - 400	20.5	0.422	15	2400	1600	9990	2300	5	9.5
125 x 100 - 400	19.9	0.389	16	2400	1600	10,140	2100*	6	12
150 x 125 - 400	20.6	0.427	17	2400	1600	9970	2000*	6	18
200 x 150 - 400	30	0.704	20	2400	1600	7380	1800*	6	31
125 x 100 - 500	39	1.233	20	2400	1600	6710	1600*	9	21
150 x 125 - 500	41	1.392	21	2400	1600	6510	1600*	7	20
200 x 150 - 500	42	1.546	22	2400	1600	6360	1600*	6	21.5

* Higher speeds are achievable for these models using ISO-PRO Pumps (ISO5199 Standard).

F_x F_y F_z Newtons
M_x M_y M_z Newton Metres



FLANGE SIZE	SUCTION			DISCHARGE			MOMENTS		
	F _x	F _y	F _z	F _x	F _y	F _z	M _x	M _y	M _z
50mm	445	356	289	356	289	445	230	115	176
65mm	556	445	367	445	367	556	352	176	268
80mm	667	534	445	534	445	667	474	237	359
100mm	890	712	578	712	578	890	664	338	502
125mm	1223	978	800	978	800	1223	908	464	691
150mm	1557	1245	1023	1245	1023	1557	1152	590	881
200mm	2446	1890	1556	1890	1556	2446	1762	881	1288
250mm	3336	2668	2224	2668	2224	3336	2508	1220	1898

SHAFT GROUP ASSEMBLY

ISO2858

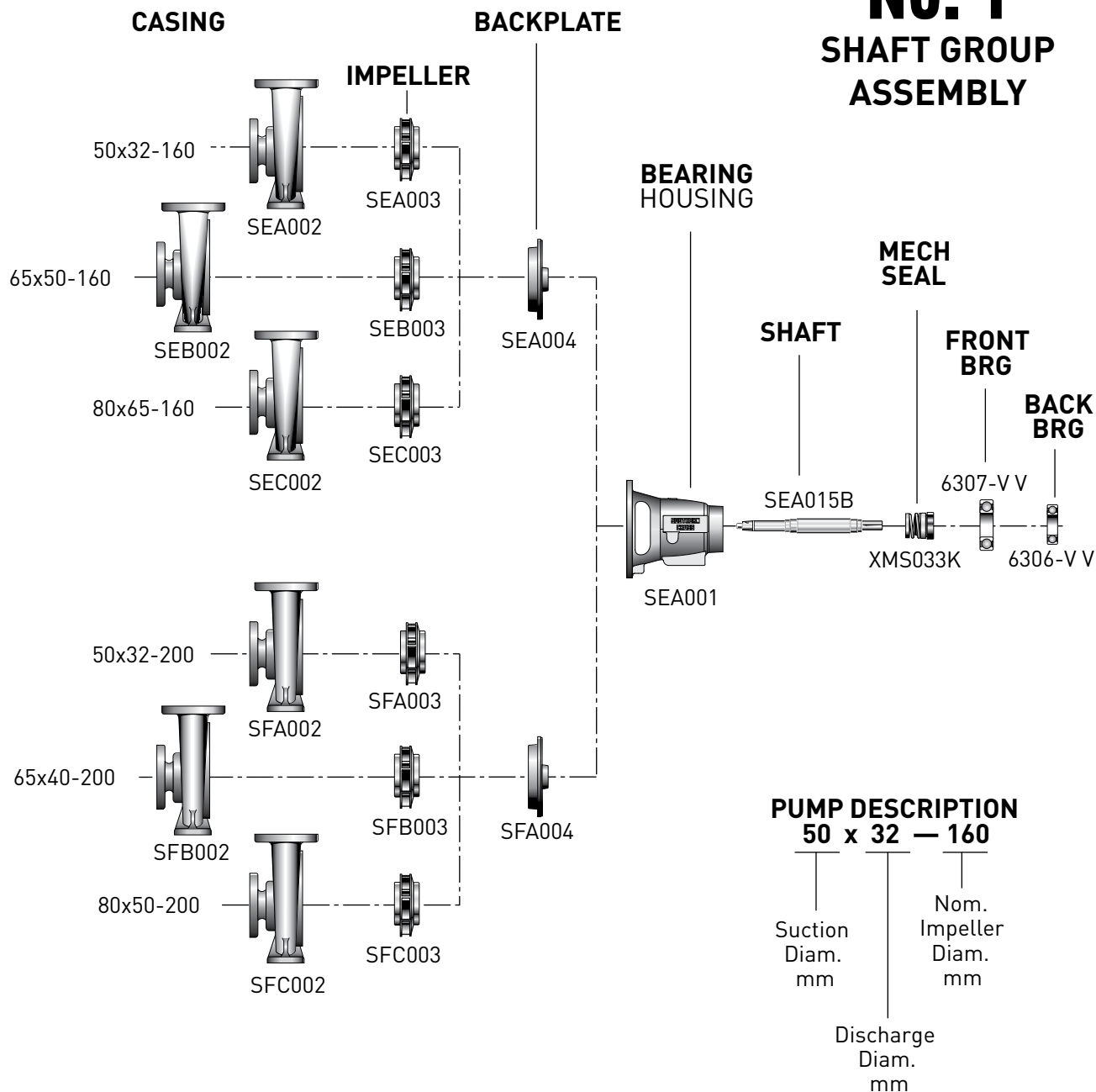
END SUCTION PUMPS
TECHNICAL DATA



CENTRIFUGAL PUMP TECHNICAL DATA

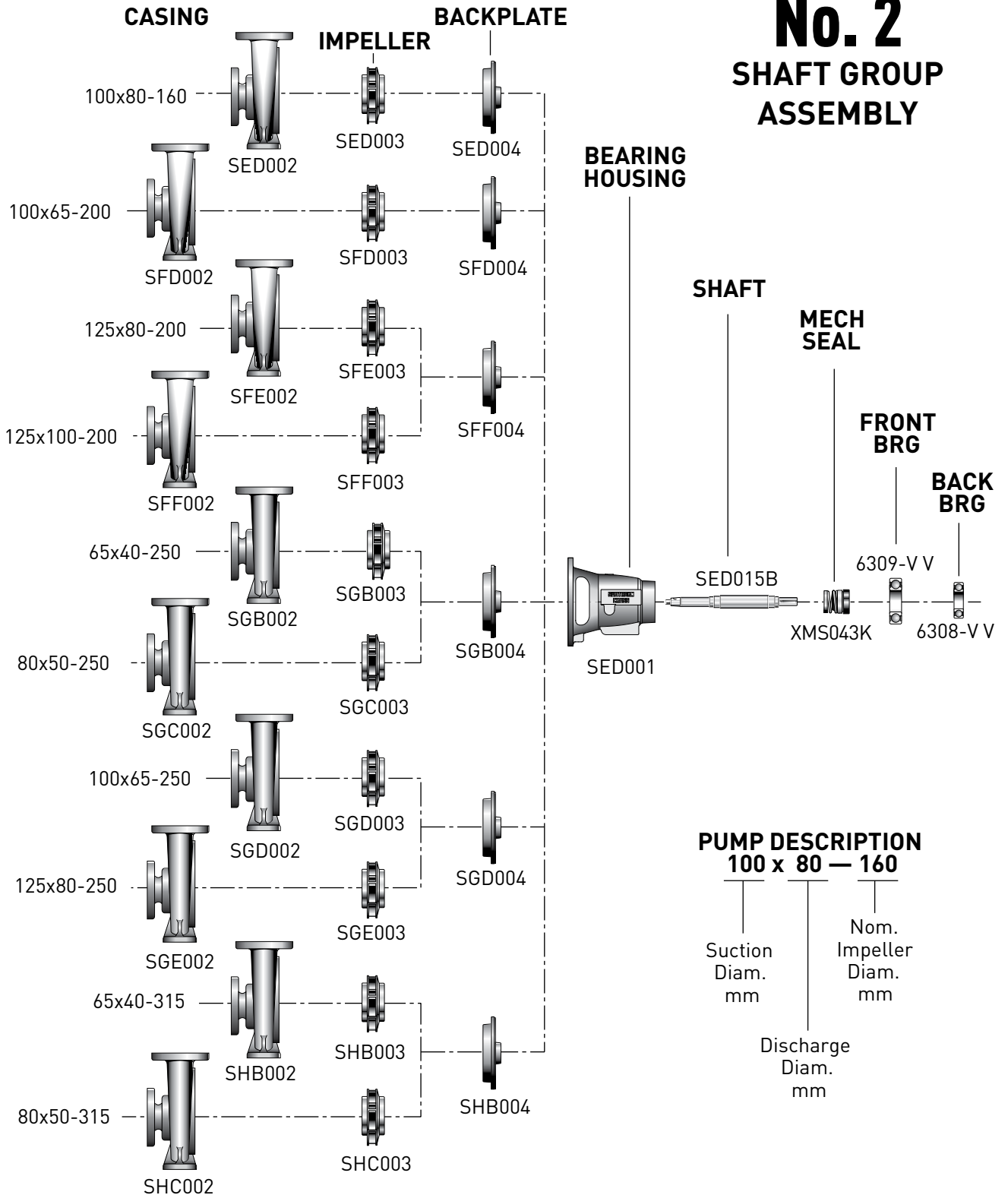
ISO SOVEREIGN PUMPS

No. 1 SHAFT GROUP ASSEMBLY

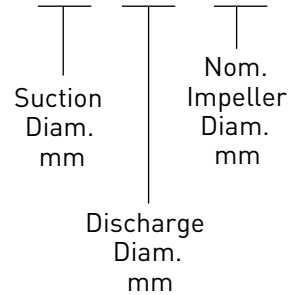


ISO SOVEREIGN PUMPS

No. 2
SHAFT GROUP ASSEMBLY



PUMP DESCRIPTION
100 x 80 — 160



SHAFT GROUP ASSEMBLY

ISO2858

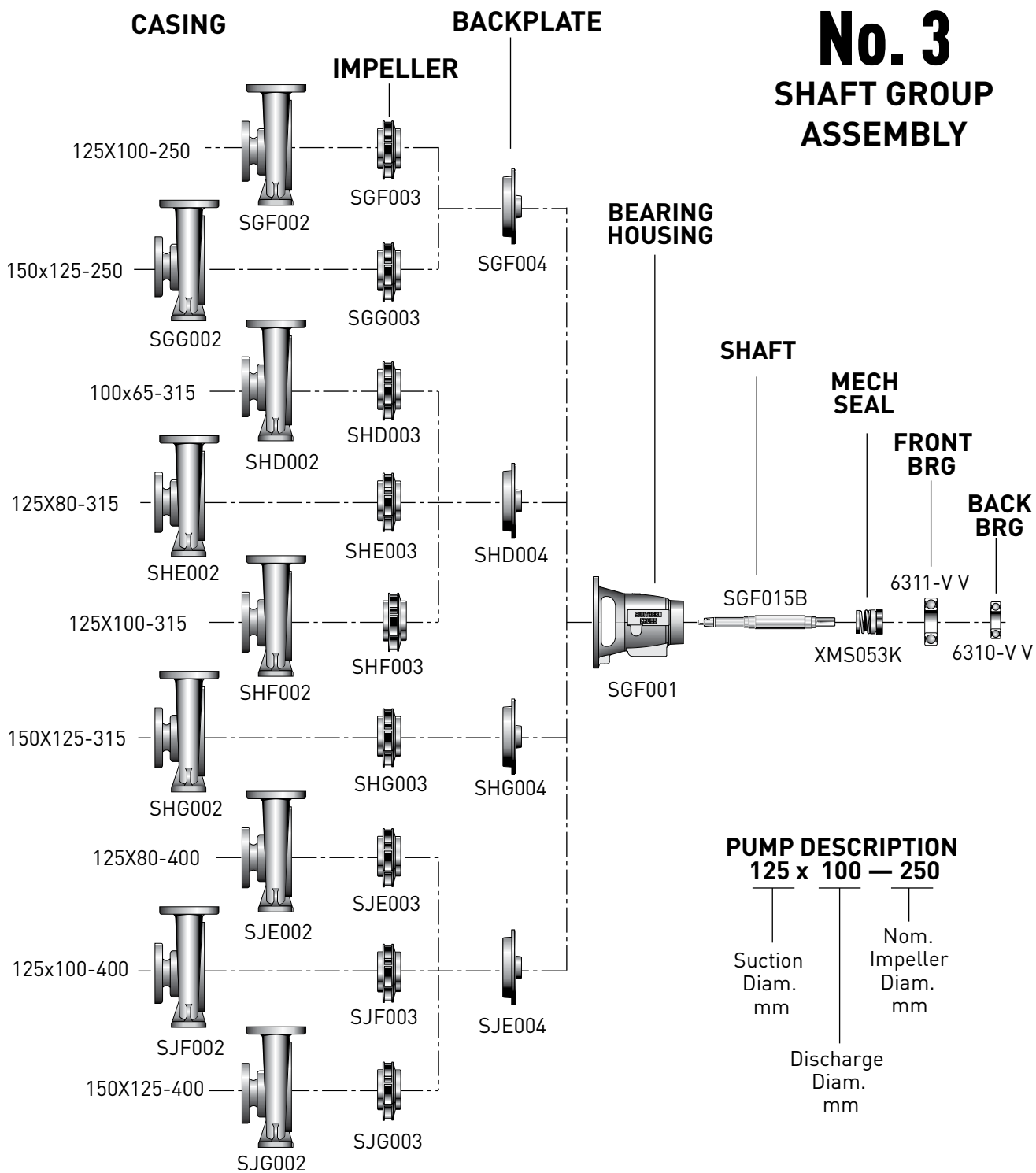
END SUCTION PUMPS
TECHNICAL DATA



CENTRIFUGAL PUMP TECHNICAL DATA

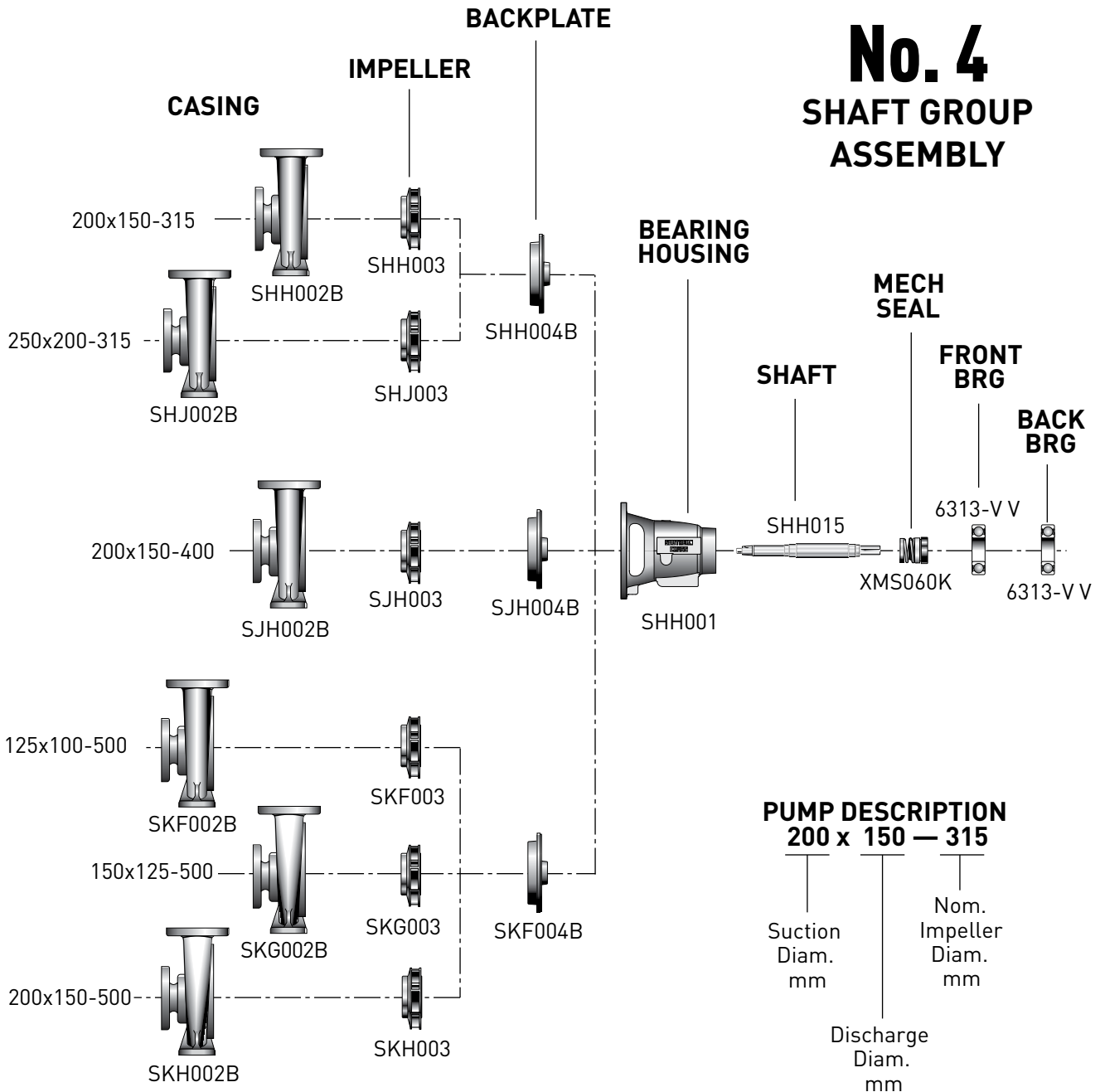
ISO SOVEREIGN PUMPS

No. 3 SHAFT GROUP ASSEMBLY



ISO SOVEREIGN PUMPS

No. 4
SHAFT GROUP ASSEMBLY



SHAFT GROUP ASSEMBLY

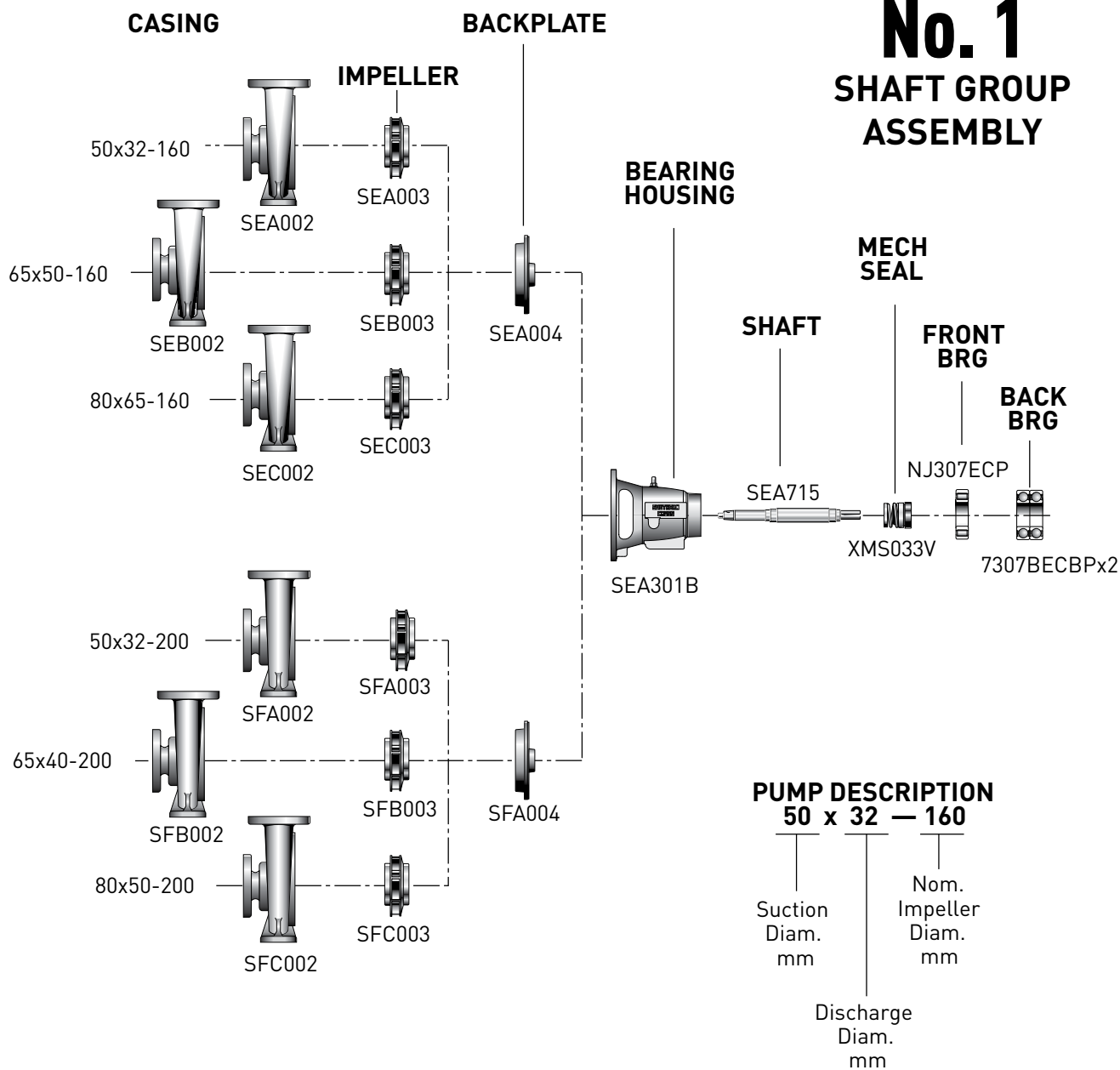
ISO5199

END SUCTION PUMPS
TECHNICAL DATA



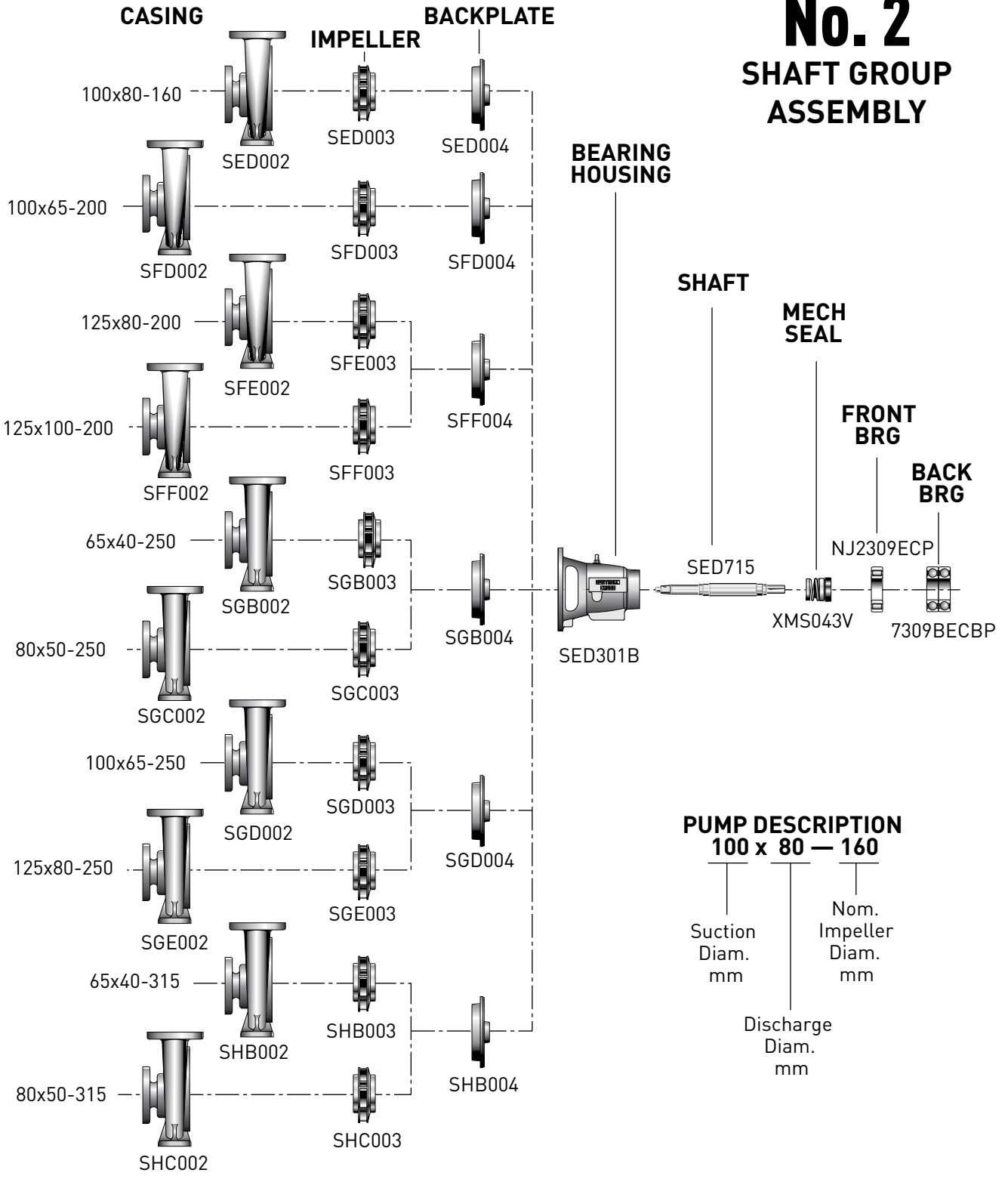
ISO PRO PUMPS

No. 1 SHAFT GROUP ASSEMBLY



ISO PRO PUMPS

No. 2
SHAFT GROUP ASSEMBLY



SHAFT GROUP ASSEMBLY

ISO5199

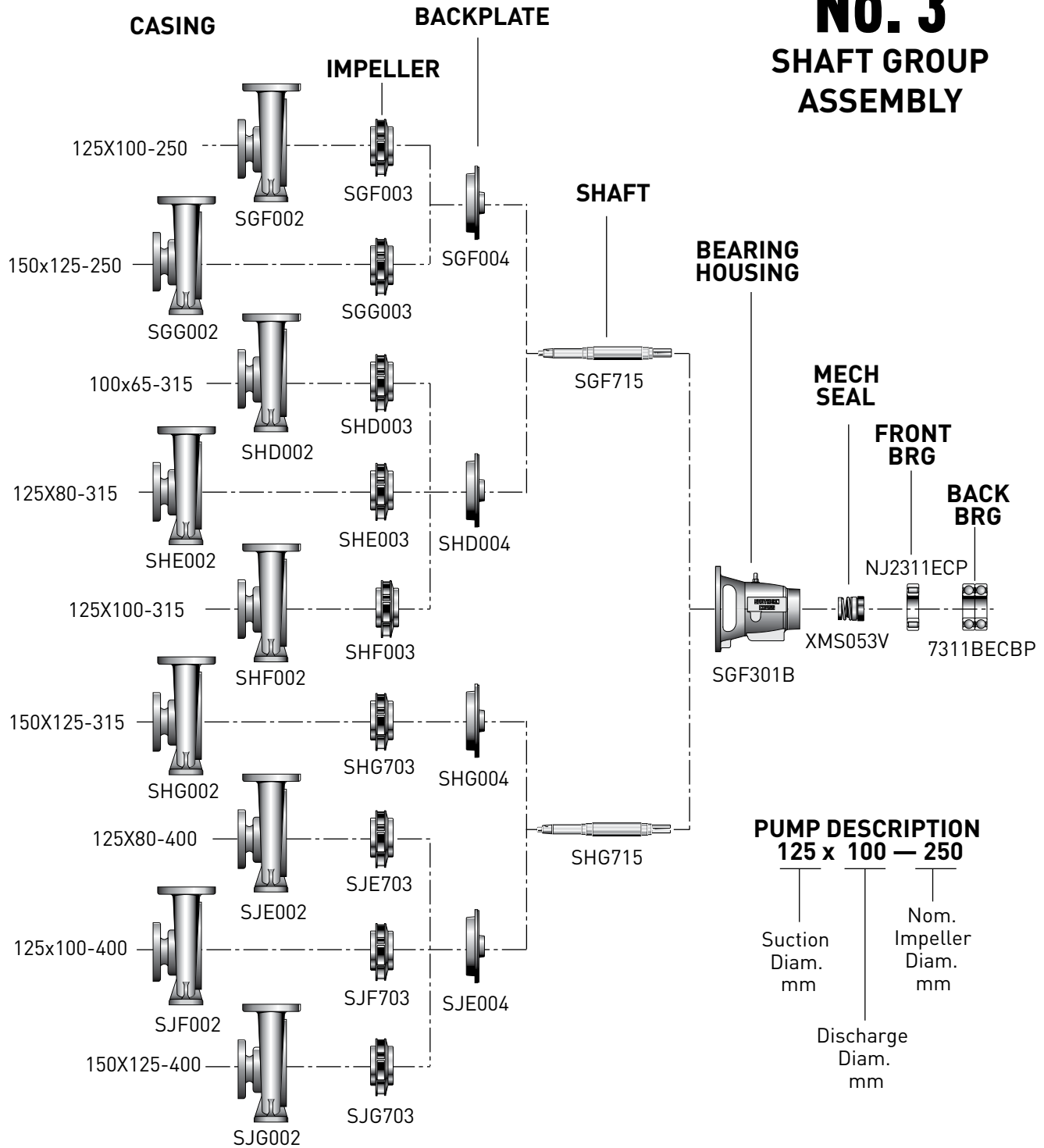
END SUCTION PUMPS
TECHNICAL DATA



CENTRIFUGAL PUMP TECHNICAL DATA

ISO PRO PUMPS

No. 3 SHAFT GROUP ASSEMBLY



ISO PRO PUMPS

No. 4
SHAFT GROUP ASSEMBLY

