

- Pip Threading Machine:-

REX

- NP50AV, NR50AV



A Best Seller Among Compact Machines!

- Small but powerful 700W series motor.
- Easy to use, high productivity, excellent portability - only 48kg.
- Pipe size can be adjusted simply by turning the lever nut.
- Thread length can be adjusted by just changing the lever contact.
(except manual Die Head)
- Supports #300 die heads and dies. (NR50AV)

	Code No.	Model	Voltage	Rotation	Dies type	Die Head ½"-2"	Remarks
NP50A	218620	NP50A	220 V	Right only	BSPT	Manual BSPT	
	218621	NP50A	110 V	Right only	BSPT	Manual BSPT	no leg
NP50AV	218231	NP50AV	220 V	Right only	BSPT	NV-auto BSPT	
	218235	NP50AV	220 V	Right only	NPT	NV-auto NPT	
	218232	NP50AV CE	230 V	R/L	BSPT	NV-auto BSPT	with Foot Switch
	218233	NP50AV	110 V	Right only	BSPT	NV-auto BSPT	no leg
	218234	NP50AV	220 V	Right only	BSPT	Uni-auto BSPT	PLP
	218237	NP50AV CE	110 V	R/L	BSPT	NV-auto BSPT	with Foot Switch
	218238	NP50AV	220 V	Right only	BSPT	Uni-auto BSPT	
	218240	NP50AV	220 V	Right only	BSPT	NV-auto BSPT	G-pulg
NR50AV	218211	NR50AV	220 V	Right only	BSPT	NV-autoR BSPT	
	218214	NR50AV	220 V	Right only	NPT	NV-autoR NPT	
	218216	NR50AV	220 V	Right only	BSPT	NV-autoR BSPT	G-piug
	218212	NR50AV CE	230 V	R/L	BSPT	NV-autoR BSPT	with Foot Switch
	218215	NR50AV	120 V	Right only	NPT	NV-autoR NPT	
	218213	NR50AV CE	110 V	R/L	BSPT	NV-autoR BSPT	with Foot Switch
NR50A	218650	NR50A CE	110 V	R/L	BSPT	ManualR BSPT	with Foot Switch



Caution: Be sure to use NR50AV die head and dies only. The NR50AV does not support die heads and dies for other models.

Threading Capacity (in.)	Voltage (50/60Hz) AC (V)	Motor Single-Phase (Series700 W)	Rotation Speed (Unloaded) (min-1)	Weight* (kg)	Dimensions L x W x H (mm)
½ - 2	115 or 220 or 230	Input 1600 W Output 1000 W	39	48	700 x 440 x 408

- NP80A



Makes a smooth, beautifully finished tapered thread with ease.

NP80A Series

8A - 80A (1/4" - 3")

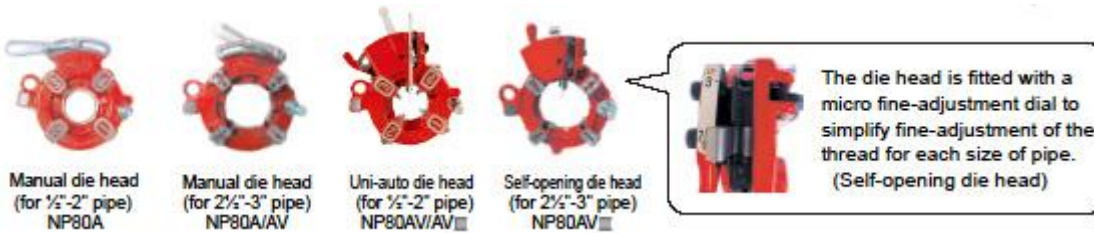
Standard Model 1/2" - 3"

A machine that gives you the best finish you've ever seen!

Based on a totally new concept, the NP80A is designed to be user-friendly, easily maintained and completely reliable. A machine you can really trust. Easy to use, high productivity, excellent portability. A machine that gives you total control and satisfaction on the job

Standard Accessories:

- Carbon Brushes 1 pair, Cutting Oil (50W-R) 4L
- Hex key-wrench 3-4-5-6 mm, Dies 1/2"-3/4", 1"-2", 2 1/2"-3" 1set each
- Die head 1/2"-2", 2 1/2"-3" one each



Manual die head
(for 1/2"-2" pipe)
NP80A

Manual die head
(for 2 1/2"-3" pipe)
NP80A/AV

Uni-auto die head
(for 1/2"-2" pipe)
NP80AV/AVIII

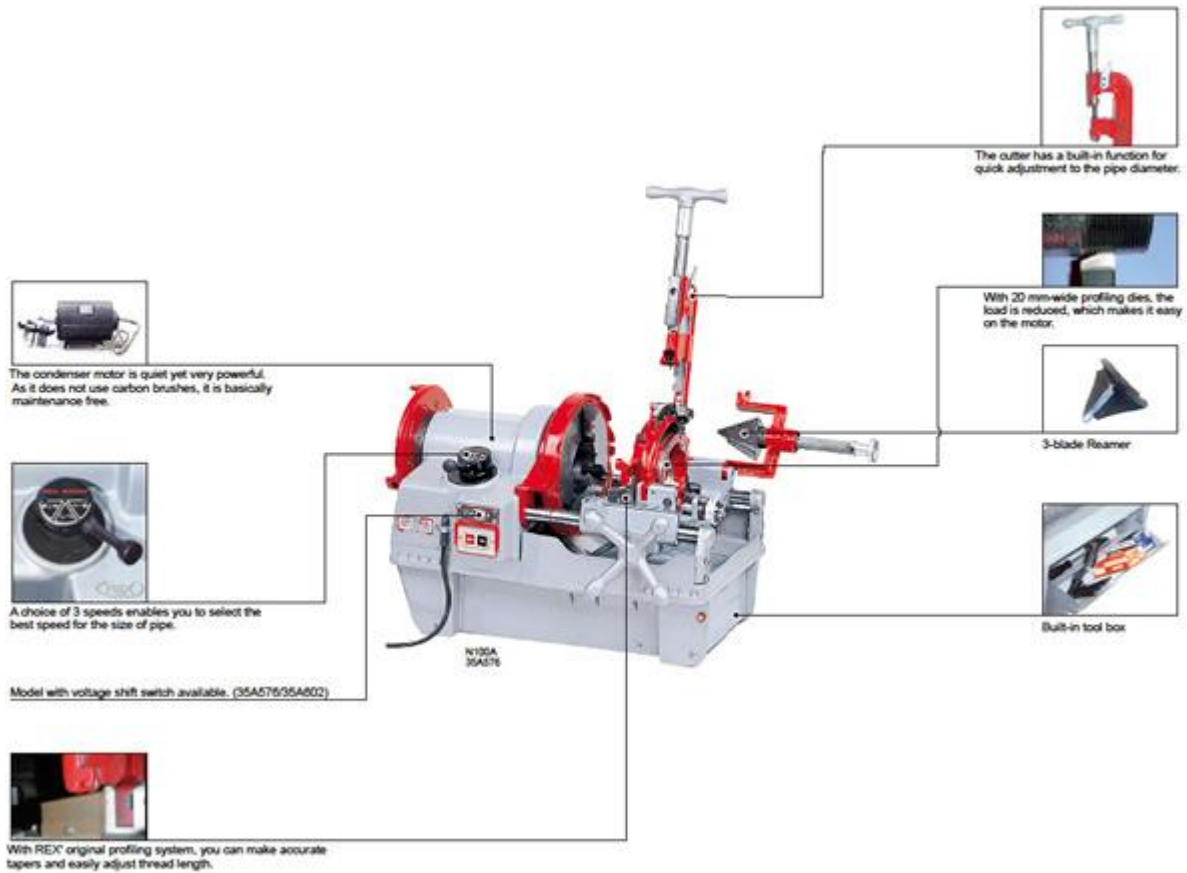
Self-opening die head
(for 2 1/2"-3" pipe)
NP80AVIII

The die head is fitted with a micro fine-adjustment dial to simplify fine-adjustment of the thread for each size of pipe.
(Self-opening die head)

	Code No.	Model	Voltage	Rotation	Dies type	Die Head	Remarks
NP80A	274670	NP80A	220 V	R only	BSPT	Manual ½" - 2"+Manual 2½" - 3"	
	274672	NP80ACE	110 V	R/L	BSPT	Manual ½" - 2"+Manual 2½" - 3"	With Foot Switch
	274673	NP80A	110 V	R only	BSPT	Manual ½" - 2"+Manual 2½" - 3"	
NP80AV	274750	NP80AV	220 V	R only	BSPT	NV-auto ½" - 2"+Manual 2½" - 3"	
	274751	NP80AVCE	230 V	R/L	BSPT	NV-auto ½" - 2"+Manual 2½" - 3"	With Foot Switch
	274752	NP80AV	220 V	R only	BSPT	Uni-auto ½" - 2"+Manual 2½" - 3"	
	274753	NP80AV	220 V	R only	NPT	NV-auto ½" - 2"+Manual 2½" - 3"	
NP80ABIII	274701	NP80AVIIIICE	230 V	R/L	BSPT	NV-auto ½" - 2"+Self-opening 2½" - 3"	With Foot Switch
	274702	NP80AVIII	220 V	R only	BSPT	Uni-auto ½" - 2"+Self-opening 2½" - 3"	

Threading Capacity (in.)	Voltage (50/60 Hz)AC (V)	Motor Single-Phase	Rotation Speed (Unloaded) (rpm)	Weight* (kg)	Dimensions L x W x H (mm)
½ - 3	110-220 or 220-230	Input 1600 W Putput 1000 W	29	67	690 x 490 x 423

- N100A



Efficient 3-speed transmission speeds up your work.

- Less than 100 sec to make a perfect 4" pipe taper thread. Less than 20 sec for a 1" pipe taper thread.
- Uni-auto die head for ½ - 2" pipe. Dies are compatible with NP50A/NP80A manual die heads and Uni-auto die heads.
- Profiling die head for 2½ - 4" pipe. REX original profiling system enables precise, straight tapers, with 20 mm dies performing at higher speed and requiring less power consumption.
- Quick, adjustable cutter.
- Quiet, maintenance-free condenser motor.
- Built-in tool box is convenient for on-site work.
- Large-capacity scrap catcher.
- Threading size, thread length, and microfine adjustment of thread diameter can all be adjusted easily.
- Compact and lightweight for its class (123kg), it can be set up by just two people.
- NV-auto and Manual die heads can be mounted as options.

Code	Voltage	Dies type	Remarks
35A570	220V 50Hz	BSPT	
35A576	110/220V 60Hz	BSPT	
35A578	110V 60Hz	BSPT	noleg
35A580	220V 50/60Hz	NPT	
35A591	220V 60Hz	BSPT	G-pulg
35A599	120V 60Hz	NPT	
35A513	230V 50Hz	BSPT	CE+Foot Swich
35A602	110/220V 50Hz	BSPT	CE+Foot Swich
35A5H0	230V 50Hz	NPT	CE+Foot Swich



Threading Capacity (in.)	Voltage (50/60Hz) AC (V)	Motor Single-Phase (W)	Rotation Speed (Unloaded) (min-1)	Weight* (kg)	Dimensions L x W x H (mm)
½ - 4	110-120 or 220-230	Condenser 750 or 1000	43 (½" - ¾")	123	873 x 635 x 558
			24 (1" - 2")		
			13 (2½" - 4")		