



HYDRAULIC TOOLS CATALOGUE 2013



ISO9001

TLP HYDRAULIC TOOLS

welcomes you to its proud range of high pressure hydraulic tools and equipment. Based on many years of manufacturing and development, TLP offers a full and comprehensive range of high quality hydraulic and mechanical equipment for mining and heavy industrial applications. With full ISO 9001 and CE accreditation, TLP products deliver excellent quality and capability at an affordable price. With production plants around the world, TLP strives to ensure timeous deliveries and quick turn around times on non-stock and special made-to-order times.

Our product motto is P³ or P cubed.

Power, Performance and Price

We aim to bring you the best product with the best performance at a price that is affordable and offers the best value for money.

THIS IS TLP

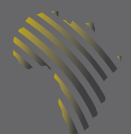


INDEX

Section 1	Cylinders	6
1.1	General purpose single acting cylinders - Series OPC	6
1.2	Aluminium single acting cylinders - Series OPAC	7
1.3	General purpose aluminium double acting cylinders - Series OPAR.	7
1.4	Low profile single acting cylinders - Series OPSM	8
1.5	Low height "Shorty" single acting cylinders - Series OPCS	8
1.6	Centre hole "Hollow" single acting cylinders - Series OPCH.	9
1.7	Centre hole "Hollow" double acting cylinders - Series OPRH	9
1.8	Low height "pancake" lock nut cylinders - Series OPLP	9
1.9	General purpose double acting cylinders - Series OPRR	10
1.10	Single acting lock nut cylinders - Series OPLL	11
1.11	High tonnage single acting cylinders - Series OPLSG.	12
1.12	High tonnage double acting cylinders - Series OPLRG	13
1.13	Special low height "Flat" single acting cylinders - Series OPSLH	14
1.14	Ultra low height "Ultra flat" single acting cylinders - Series OPULH	14
1.15	General purpose single acting Toe cylinders - Series OPTC.	15
1.16	General purpose single acting Toe cylinders wheel base - Series OPTCWB	15
1.17	Eco range - General purpose cylinders - series HHYG	16
1.18	Eco range - Low profile single acting cylinders - Series HHYG-B	17
1.19	Eco range - Low profile single acting cylinders telescopic- Series HHYG-D	18
1.20	Eco range - Centre hole "Hollow" single acting cylinders -Series HHYG-K	19
1.21	Eco range - Aluminium single acting cylinders - Series HHYG-L	20

Section 2	Jacks	21
2.1	Hydraulic bottle jack - Series OPBJ.	21
2.2	Hydraulic toe jack - Series OPTJ	21
2.3	Seperable Hydraulic Track Jack - Series HHQD.	21
Section 3	Pumps	22
3.1	General purpose hydraulic hand pumps	22
3.2	Electric pumps - General Purpose.	23
Section 4	Hydraulic tools	24
4.1	Hydraulic punch	24
4.2	Hydraulic spreader	24
4.3	Hydraulic flange spreader	25
4.4	Hydraulic wedge spreader	26
4.5	Hydraulic nut splitter	26
4.6	Hydraulic pipe flange spreader	27
Section 5	Hydraulic bolting tools	28
5.1	Hydraulic square drive torque wrench	28
5.2	Torque wrench sockets for OP-MXTA wrenches	29
5.3	Hydraulic hex drive torque wrench	31
5.4	Torque wrench reducer sockets for OP-XLCT wrenches	32
5.5	Torque pumps	34

Section 6	Hydraulic pullers	35
6.1	Hydraulic puller intergral - Light duty.	35
6.2	Hydraulic puller intergral - Heavy duty Cobra type.	36
6.3	Master Puller Set	37
6.4	Hydraulic puller - roller cart mounted	38
6.5	Hydraulic puller - roller cart mounted	38
6.6	Hydraulic puller - roller cart mounted	39
6.7	Hydraulic puller - roller cart mounted	39
Section 7	Hydraulic cutters and crimpers	40
7.1	Integral cutters	40
7.2	Hydraulic cutters - seperable	40
7.3	Hydraulic crimpers - integral	41
7.4	Hydraulic crimpers - seperable	41
Section 8	Hydraulic pipe benders	42
8.1	Hydraulic pipe benders - integral.	42
8.2	Pneumatic hydraulic pipe benders - integral	43
8.3	Hydraulic pipe bender - seperable	44
8.4	Hydraulic multi-function pipe bender	45
Section 9	Accessories	46
9.1	Hydraulic hoses	46
9.2	Hydraulic quick couplers	46
9.3	Hydraulic pressure gauges	46
9.4	Hydraulic Valves and Fittings	47



1.1 General Purpose Single Acting Cylinders - Series OPC



- Single acting by heavy duty spring return
- Collar threads, plunger threads and base mounting holes enable easy fixturing (on most models)
- Designed for use in all positions

Model No	Capacity (T)	Lifting (H) (mm)	Min. (H) (mm)	Cylinder Dia. (mm)	Oil Capacity (cm ³)	Piston Dia. (mm)	Weight (kg)
OPC-50		16	41	38	10	25.4	1.0
OPC-51		25	110	38	16	25.4	1.0
OPC-53		76	165	38	50	25.4	1.5
OPC-55	5	127	215	38	83	25.4	1.9
OPC-57		177	273	38	115	25.4	2.4
OPC-59		232	323	38	151	25.4	2.8
OPC-101		26	89	57	38	38.1	1.8
OPC-102		54	121	57	78	38.1	2.3
OPC-104		105	171	57	151	38.1	3.3
OPC-106	10	156	247	57	225	38.1	4.4
OPC-108		203	298	57	292	38.1	5.4
OPC-1010		257	349	57	370	38.1	6.4
OPC-1012		304	400	57	441	38.1	6.8
OPC-1014		356	450	57	516	38.1	8.2
OPC-151		25	124	69	51	41.4	3.3
OPC-152		51	149	69	104	41.4	4.1
OPC-154		101	200	69	207	41.4	5.0
OPC-156	15	152	271	69	309	41.4	6.8
OPC-158		203	322	69	412	41.4	8.2
OPC-1510		254	373	69	516	41.4	9.5
OPC-1512		305	423	69	619	41.4	10.9
OPC-1514		356	474	69	723	41.4	11.8
OPC-251		26	139	85	83	57.2	5.9
OPC-252		50	165	85	169	57.2	6.4
OPC-254		102	215	85	339	57.2	8.2
OPC-256	25	158	273	85	528	57.2	10.0
OPC-258		210	323	85	697	57.2	12.2
OPC-2510		261	374	85	863	57.2	14.1
OPC-2512		311	425	85	1033	57.2	16.3
OPC-2514		362	476	85	1202	57.2	17.7
OPC-308	30	209	387	101	880	57.2	18.1
OPC-502		51	176	127	364	79.5	15.0
OPC-504		101	227	127	727	79.5	19.1
OPC-506		159	282	127	1134	79.5	23.1
OPC-5013	50	337	460	127	2403	79.5	37.6
OPC-756		156	285	146	1601	95.2	29.5
OPC-7513	75			146	3427	95.2	59.0
OPC-1002	95	50.8	219.1	177	675	104.9	28.5
OPC-1006		168	357	177	2239	104.9	59.0
OPC-10010	95	260	449	177	3466	104.9	72.6

1.2 Aluminium Single Acting Cylinders - Series OPAC

- Lightweight, aluminium design for maximum portability
- Single acting spring return
- Hard coat finish on all surfaces resists damage and extends cylinder life



Model	Capacity	Stroke (mm)	Closed height D (mm)	Cylinder diametre	Oil capacity (cc)	Weight (kg)
OPAC-202		50	174		156	3.6
OPAC-204	20	100	224	85	312	4.1
OPAC-206		150	274		468	4.6
OPAC-302		50	181		221	4.5
OPAC-304	30	100	231	100	442	5.2
OPAC-306		150	281		663	5.9
OPAC-502		50	186		354	8.5
OPAC-504	50	100	236	130	709	9.8
OPAC-506		150	286		1063	11.1
OPAC-1004		100	271		1431	19.6
OPAC-1006	100	150	321	180	2147	21.9
OPAC-1008		200	371		2863	24.2
OPAC-1506	150	150	343	230	3405	33.3

1.3 General Purpose Aluminium Double Acting Cylinders-Series OPAR

- Lightweight, aluminium design for maximum portability
- Double acting oil return

Model	Capacity	Stroke (mm)	Closed height D (mm)	Cylinder diametre	Oil capacity (cc)	Weight (kg)
OPAR-502		50	201		354	11.1
OPAR-504	50	100	251	145	709	12.7
OPAR-506		150	301		1063	14.3
OPAR-1004		100	301		1431	19.3
OPAR-1006	100	150	351	185	2147	22.2
OPAR-1008		200	401		2863	25.1
OPAR-1506	150	150	238	230	3405	33.2



1.4 Low Profile Single Cylinders - Series OPSM



- Compact flat design for use where other cylinders will not fit.
- High capacity, have handle for easy carrying
- Single acting spring return

Model	Capacity (T)	Stroke (mm)	Closed height D (mm)	Cylinder diametre	Oil capacity (cc)	Weight (kg)
OPSM-50	5	6	32	58 x 41	4	1.0
OPSM-100	10	12	43	82 x 55	18	1.5
OPSM-200	20	11	51	101 x 76	32	3.2
OPSM-300	30	13	58	117 x 95	55	5.0
OPSM-500	50	16	66	140 x 114	99	7.5
OPSM-750	75	16	79	165 x 139	164	11.3
OPSM-1000	100	16	85	178 x 153	203	18.0
OPSM-1500	150	16	100	215 x 190	317	36.0
OPSM-2000	200	30	127	280 x 245	900	51.0

1.5 Low Height "Shorty" Single Cylinders - Series OPCS

- Light weight low profile design for use in confined spaces.
- Grooved plunger end with threaded holes for mounting tilt saddles



Model	Capacity (T)	Stroke (mm)	Closed height D (mm)	Cylinder diametre	Oil capacity (cc)	Weight (kg)
OPCS-51	5	24	67	48	15	1.0
OPCS-101	10	38	88	69	55	2.5
OPCS-201	20	45	98	92	129	4.7
OPCS-302	30	62	117	101	261	6.8
OPCS-502	50	60	122	124	373	10.0
OPCS-1002	100	57	141	165	722	20.7
OPCS-1502	150	51	162	205	900	38.0

1.6 Centre "Hollow" Single Acting Cylinders - Series OPCH



Model	Capacity (T)	Stroke (mm)	Closed height D (mm)	Cylinder diameter	Oil capacity (cc)	Hollow diameter (mm)	Weight (kg)
OPCH-120	12	8	55	69	14	19.6	1.5
OPCH-121	12	42	120	69	75	19.6	2.8
OPCH-123	12	76	184	69	136	19.6	4.4
OPCH-202	20	49	162	98	150	26.9	7.7
OPCH-206	20	155	306	98	476	26.9	14.1
OPCH-302	30	64	178	114	298	33.3	10.9
OPCH-306	30	155	330	114	722	33.3	21.8
OPCH-603	60	76	247	159	626	53.8	28.1
OPCH-606	60	153	323	159	1259	53.8	35.4
OPCH-1003	100	76	254	212	1011	79	63

- Hollow plunger design allows for both pull and push forces
- Single acting spring return
- Collar threads for easy fixturing

1.7 Centre "Hollow" Double Acting Cylinders - Series OPRH



Model	Capacity (T)	Stroke (mm)	Closed height D (mm)	Cylinder diameter	Oil capacity (cc)	Hollow diameter (mm)	Weight (kg)
OPRH-307	30	178	330	114	829	33.3	21.0
OPRH-3010	30	258	431	114	1202	33.3	27.0
OPRH-603	60	89	247	159	733	53.8	28.0
OPRH-606	60	166	323	159	1366	53.8	35.0
OPRH-6010	60	257	438	159	2115	53.8	45.0
OPRH-1001	100	38	165	212	505	79.2	33.0
OPRH-1003	100	76	254	212	1011	79.2	61.0
OPRH-1006	100	153	342	212	2035	79.2	79.0
OPRH-10010	100	257	460	212	3420	79.2	106.0
OPRH-1508	150	203	349	247	4144	79.2	111.0

- Relief valve prevents damage in case of over pressurization
- Double acting version for fast retraction
- Hollow plunger design allows for both pull and push forces

1.8 Low Height "Pancake" Lock Nut Cylinders - Series OPLP



Model	Capacity (T)	Stroke (mm)	Closed height D (mm)	Cylinder diameter	Oil capacity (cc)	Weight (kg)
OPLP-602	60	50	125	140	432	15.0
OPLP-1002	100	50	137	175	734	26.0
OPLP-1602	160	45	148	220	1040	44.0
OPLP-2002	200	45	155	245	1285	57.0
OPLP-2502	260	45	159	275	1650	74.0
OPLP-4002	400	45	178	350	2517	134.0
OPLP-5002	520	45	192	400	3287	189.0

- Hollow plunger design allows for both pull and push forces
- Single acting spring return
- Collar threads for easy fixturing

1.9 General Purpose Double Acting Cylinders - Series OPRR



- Single acting by heavy duty spring return
- Collar threads, plunger threads and base mounting holes enable easy fixturing (on most models)
- Designed for use in all positions

Model	Capacity (T)	Stroke (mm)	Closed height D (mm)	Cylinder diametre	Oil capacity (cc)	Weight (kg)
OPRR-1010		254	409		368	12.0
OPRR-1012	10	305	457	73	442	14.0
OPRR-308		209	387		879	18.0
OPRR-3014	30	368	549	101	1549	29.0
OPRR-506		156	331		1111	30.0
OPRR-5013	50	334	509	127	2378	52.0
OPRR-5020		511	733		3638	68.0
OPRR-756		156	347		1601	41.0
OPRR-7513	75	333	525	146	3417	68.0
OPRR-1006		168	357		2238	61.0
OPRR-10013	95	333	524	177	4439	93.0
OPRR-10018		460	687		6132	117.0
OPRR-1502		57	196		1129	49.0
OPRR-1506		156	385		3090	93.0
OPRR-15013	140	333	582	203	6597	124.0
OPRR-15032		815	1116		16145	238.0
OPRR-2006		152	430		4332	147.0
OPRR-20013		330	608		9405	199.0
OPRR-20018		457	765		13025	204.0
OPRR-20024	200	610	917	247	17385	279.0
OPRR-20036		914	1222		26049	383.0
OPRR-20048		1219	1527		34741	483.0
OPRR-3006		153	485		6997	200.0
OPRR-30012		305	638		13947	312.0
OPRR-30018		457	790		20889	385.0
OPRR-30024	325	609	943	311	27850	469.0
OPRR-30036		915	1247		41843	628.0
OPRR-30048		1219	1552		55745	780.0
OPRR-4006		152	538		9319	303.0
OPRR-40012		305	690		18700	399.0
OPRR-40018		457	843		28018	453.0
OPRR-40024	440	610	995	358	37400	597.0
OPRR-40036		914	1300		56037	792.0
OPRR-40048		1219	1605		74737	980.0
OPRR-5006		153	577		11164	432.0
OPRR-50012		305	730		22256	589.0
OPRR-50018		457	882		33347	680.0
OPRR-50024	520	609	1035	397	44440	816.0
OPRR-50036		915	1339		66768	1002.0
OPRR-50048		1219	1644		88951	1224.0

1.10 Single Acting Lock Nut Cylinders - Series OPLL



- Single acting load return
- Safety lock nut for mechanical load holding. Long load holding
- Overflow port functions as a stroke limiter

Model	Capacity (T)	Stroke (mm)	Closed height D (mm)	Cylinder diametre	Oil capacity (cc)	Weight (kg)
OPLL-502		50	164	125	357	15.0
OPLL-504		100	214	125	713	20.0
OPLL-506	50	150	264	125	1070	25.0
OPLL-508		200	314	125	1426	30.0
OPLL-5010		250	364	125	1783	35.0
OPLL-5012		300	414	125	2139	40.0
OPLL-1002		50	187	165	667	30.0
OPLL-1004		100	237	165	1333	39.0
OPLL-1006		150	287	165	1999	48.0
OPLL-1008	100	200	337	165	2666	56.0
OPLL-10010		250	387	165	3333	64.0
OPLL-10012		300	437	165	3999	73.0
OPLL-1502		50	209	205	990	53.0
OPLL-1504		100	259	205	1980	66.0
OPLL-1506		150	309	205	2970	78.0
OPLL-1508	150	200	359	205	3960	92.0
OPLL-15010		250	409	205	4950	104.0
OPLL-15012		300	459	205	5940	117.0
OPLL-2002		50	243	235	1333	83.0
OPLL-2006	200	150	343	235	3997	117.0
OPLL-20012		300	493	235	7995	170.0
OPLL-2502		50	249	275	1832	116.0
OPLL-2506	250	150	349	275	5496	162.0
OPLL-25012		300	499	275	10995	234.0
OPLL-3002		50	295	310	2285	173.0
OPLL-3006	300	150	395	310	6855	233.0
OPLL-30012		300	545	310	13740	323.0
OPLL-4002		50	335	350	2795	250.0
OPLL-4006	400	150	435	350	8385	327.0
OPLL-40012		300	585	350	16800	441.0
OPLL-5002		50	375	400	3650	367.0
OPLL-5006	500	150	475	400	10950	466.0
OPLL-50012		300	625	400	21930	617.0
OPLL-6002		50	395	430	4285	446.0
OPLL-6006	600	150	495	430	12855	562.0
OPLL-60012		300	645	430	25650	737.0
OPLL-8002		50	455	505	5895	709.0
OPLL-8006	800	150	555	505	17645	870.0
OPLL-80012		300	705	505	35370	1110.0
OPLL-10002		50	495	560	7325	949.0
OPLL-10006	1000	150	595	560	21975	1141.0
OPLL-100012		300	745	560	43980	1430.0

1.11 High Tonnage Single Acting Cylinders - Series OPLSG



- Single acting load return
- Integral stop ring provides piston blow-out protection
- Unique design withstands sideload forces up to 10% of rated cylinder capacity without scoring

Model	Capacity (T)	Stroke (mm)	Closed height D (mm)	Cylinder diametre	Oil capacity (cc)	Weight (kg)
OPLSG-502		50	162	130	385	17.0
OPLSG-504		100	212	130	770	20.0
OPLSG-506	50	150	262	130	1155	25.0
OPLSG-508		200	312	130	1540	27.0
OPLSG-5010		250	362	130	1924	31.0
OPLSG-5012		300	412	130	2309	34.0
OPLSG-1002		50	182	165	664	19.0
OPLSG-1004		100	232	165	1327	29.0
OPLSG-1006		150	282	165	1991	40.0
OPLSG-1008	100	200	332	165	2655	50.0
OPLSG-10010		250	382	165	3318	61.0
OPLSG-10012		300	432	165	3982	71.0
OPLSG-1502		50	196	205	993	39.0
OPLSG-1504		100	246	205	1986	52.0
OPLSG-1506		150	296	205	2978	65.0
OPLSG-1508	150	200	346	205	3971	78.0
OPLSG-15010		250	396	205	4964	92.0
OPLSG-15012		300	446	205	5957	105.0
OPLSG-2002		50	216	235	1330	55.0
OPLSG-2006	200	150	316	235	3989	91.0
OPLSG-20012		300	466	235	7977	146.0
OPLSG-2502		50	235	275	1832	89.0
OPLSG-2506	250	150	335	275	5497	136.0
OPLSG-25012		300	485	275	10993	207.0
OPLSG-3002		50	312	310	2281	184.0
OPLSG-3006	300	150	412	310	6843	232.0
OPLSG-30012		300	562	310	13685	303.0
OPLSG-4002		50	375	350	2800	270.0
OPLSG-4006	400	150	475	350	8399	330.0
OPLSG-40012		300	625	350	16797	421.0
OPLSG-5002		50	419	400	3653	401.0
OPLSG-5006	500	150	519	400	10959	480.0
OPLSG-50012		300	669	400	21918	599.0
OPLSG-6002		50	429	430	4276	474.0
OPLSG-6006	600	150	529	430	12829	565.0
OPLSG-60012		300	679	430	25659	701.0
OPLSG-8002		50	474	505	5881	741.0
OPLSG-8006	800	150	574	505	17644	868.0
OPLSG-80012		300	724	505	35288	1058.0
OPLSG-10002		50	564	560	7329	1062.0
OPLSG-10006	1000	150	664	560	21986	1213.0
OPLSG-100012		300	814	560	43972	1439.0

1.12 High Tonnage Double Acting Cylinders - Series OPLRG



- Double acting for push & pull
- Safety valve in retract side of cylinder helps to prevent damage in case of over pressurization
- Special bearing design withstands sideload pressure
- Up to 10% of rated cylinder capacity without scoring

Model	Capacity (T)	Stroke (mm)	Closed height D (mm)	Cylinder diametre	Oil capacity (cc)	Weight (kg)
OPLRG-502		50	162	130	385	17.0
OPLRG-504		100	212	130	770	20.0
OPLRG-506	50	150	262	130	1155	25.0
OPLRG-508		200	312	130	1540	36.0
OPLRG-5010		250	362	130	1924	31.0
OPLRG-5012		300	412	130	2309	34.0
OPLRG-1002		50	182	165	664	19.0
OPLRG-1004		100	232	165	1327	29.0
OPLRG-1006		150	282	165	1991	40.0
OPLRG-1008	100	200	332	165	2655	50.0
OPLRG-10010		250	382	165	3318	61.0
OPLRG-10012		300	432	165	3982	71.0
OPLRG-1502		50	196	205	993	39.0
OPLRG-1504		100	246	205	1986	52.0
OPLRG-1506		150	296	205	2978	65.0
OPLRG-1508	150	200	346	205	3971	78.0
OPLRG-15010		250	396	205	4964	92.0
OPLRG-15012		300	446	205	5957	105.0
OPLRG-2002		50	216	235	1330	55.0
OPLRG-2006	200	150	316	235	3989	91.0
OPLRG-2008		200	366	235	5000	110.0
OPLRG-20012		300	466	235	7977	146.0
OPLRG-2502		50	235	275	1832	89.0
OPLRG-2506	250	150	335	275	5497	136.0
OPLRG-2508		200	385	275	7200	170.0
OPLRG-25012		300	485	275	10993	207.0
OPLRG-3002		50	312	310	2281	184.0
OPLRG-3006	300	150	412	310	6843	232.0
OPLRG-3008		200	462	310	8900	270.0
OPLRG-30012		300	562	310	13685	303.0
OPLRG-4002		50	375	350	2800	270.0
OPLRG-4006	400	150	475	350	8399	330.0
OPLRG-4008		200	525	350	11500	380.0
OPLRG-40012		300	625	350	16797	421.0
OPLRG-5002		50	419	400	3653	401.0
OPLRG-5006	500	150	519	400	10959	480.0
OPLRG-5008		200	569	400	15630	510.0
OPLRG-50012		300	669	400	21918	599.0
OPLRG-6002		50	429	430	4276	474.0
OPLRG-6006	600	150	529	430	12829	565.0
OPLRG-6008		200	579	430	18009	620.0
OPLRG-60012		300	679	430	25659	701.0
OPLRG-8002		50	474	505	5881	741.0
OPLRG-8006	800	150	574	505	17644	868.0
OPLRG-8008		200	624	505	25000	950.0
OPLRG-80012		300	724	505	35288	1058.0
OPLRG-10002		50	564	560	7329	1062.0
OPLRG-10006	1000	150	664	560	21986	1213.0
OPLRG-10008		200	714	560	32896	1300.0
OPLRG-100012		300	814	560	43972	1439.0

1.13 Special Low Height "Flat" Single Acting Cylinders - Series OPSLH



- Lowest lifting height
- Applied in very small gaps

Model	Capacity (T)	Stroke (mm)	Closed height D (mm)	Cylinder diametre	Piston diametre	Weight (kg)
OPSLH-10	10	6	28	87	38	1.8
OPSLH-20	20	6	32	104	52	2.8
OPSLH-30	32	6	34	120	60	6.5
OPSLH-50	50	6	45	158	75	8.5
OPSLH-100	100	6	65	200	100	18.0
OPSLH-150	150	6	70	250	120	29.0
OPSLH-200	200	6	76	300	150	41.2

1.14 Ultra Low Height "Ultra Flat" Single Acting Cylinders-Series OPULH



- Working pressure 150Mpa for small space
- Single acting cylinder return by load

Model	Capacity (T)	Stroke (mm)	Closed height D (mm)	Cylinder diametre	Piston diametre
OPULH-5	5	10	30	60	21
OPULH-10	10	10	30	70	30
OPULH-25	25	10	30	90	47
OPULH-50	50	10	30	115	68
OPULH-100	100	10	30	144	94
OPULH-120	120	10	30	160	100
OPULH-150	150	10	31	176	116
OPULH-200	200	10	32	204	132

1.15 General Purpose Single Acting Toe Cylinders - Series OPTC

- Lowest lifting height
- Applied in very small gaps



Model	Capacity (T)	Stroke (mm)	Min toe height (mm)	Minimum height (mm)	Weight (kg)
OPTC-5	5	231	13	350	11
OPTC-10	10	279	21	401	20
OPTC-20	20	279	21	350	40
OPTC-30	30	197	25	450	56
OPTC-50	50	247	35	536	116

1.16 General Purpose Single Acting Toe Cylinders Wheelbase - Series OPTCWB

- Maintains 2m safety distance



Model	Toe Capacity (T)	Head Capacity (T)	Stroke (mm)	Min toe height (mm)	Minimum height (mm)	Jaws (LxW) mm	Weight (kg)
OPTCWB-3-5	3	5	127	21	246	55 x 40	8.5
OPTCWB-5-10	5	10	150	24	297	70 x 47	16
OPTCWB-10-20	10	20	160	30	333	110 x 52	41

1.17 Eco range - General purpose cylinders - series HHYG



Model	Tonnage	Stroke (mm)	Closed height (mm)	Cylinder diameter (mm)	Piston diameter (mm)	Oil capacity (cc)	Weight (kg)
HHYG-1050	10	50	95	69	43	72	2.5
HHYG-10100	10	100	145	69	43	145	4.5
HHYG-10150	10	150	225	69	43	217	7
HHYG-2050	20	50	100	92	60	141	5
HHYG-20100	20	100	165	92	60	282	7.5
HHYG-20150	20	150	225	92	60	423	11
HHYG-3050	30	50	105	100	73	210	5.5
HHYG-30100	30	100	165	100	73	418	9
HHYG-30150	30	150	230	100	73	627	15
HHYG-5050	50	50	110	123	90	318	9
HHYG-50100	50	100	170	123	90	635	13
HHYG-50150	50	150	245	123	90	953	18
HHYG-10050	100	50	135	165	126	623	19
HHYG-100100	100	100	235	165	126	1246	34
HHYG-100150	100	150	285	165	126	1869	41
HHYG-20050	200	50	216	235	180	1280	55
HHYG-200100	200	100	235	235	180	2543	73
HHYG-200150	200	150	316	235	180	3810	82

1.18 Eco range - Low profile single acting cylinders - Series HHYG-B



Model	Tonnage	Stroke (mm)	Closed height (mm)	Cylinder diameter (mm)	Piston diameter (mm)	Oil capacity (cc)	Weight (kg)
HHYG-10B	10	11	45	60 x 83	43	16	1.5
HHYG-20B	20	12	52	76 x 100	60	34	2.6
HHYG-30B	30	14	58	95 x 118	73	58	3.9
HHYG-50B	50	16	68	115 x 138	90	102	6.3
HHYG-100B	100	16	88	158 x 178	126	200	14.5

1.19 Eco range - Low profile single acting cylinders telescopic- Series HHYG-D



Model	Tonnage	Stroke (mm)	Closed height (mm)	Cylinder diameter (mm)	Piston diameter (mm)	Oil capacity (cc)	Weight (kg)
HHYG-10D	10	25	45	60x83mm	Stage 1 : 38mm	22	1.4
HHYG-10D	10	25	45	60x83mm	Stage 2 : 26mm	22	1.4
HHYG-20D	20	26	52	76x100mm	Stage 1 : 50mm	41	2.5
HHYG-20D	20	26	52	76x100mm	Stage 2 : 31mm	41	2.5
HHYG-30D	30	53	58	95x118mm	Stage 1 : 64mm	67	4.1
HHYG-30D	30	53	58	95x118mm	Stage 2 : 46mm	67	4.1
HHYG-30D	30	53	58	95x118mm	Stage 3 : 26mm	67	4.1
HHYG-50D	50	64	68	115x138mm	Stage 1 : 70mm	113	6.4
HHYG-50D	50	64	68	115x138mm	Stage 2 : 46mm	113	6.4
HHYG-50D	50	64	68	115x138mm	Stage 3 : 26mm	113	6.4
HHYG-100D	100	68	88	158x178mm	Stage 1 : 95mm	225	14.5
HHYG-100D	100	68	88	158x178mm	Stage 2 : 69mm	225	14.5
HHYG-100D	100	68	88	158x178mm	Stage 3 : 38mm	225	14.5

1.20 Eco range - Centre hole "Hollow" single acting cylinders - Series HHYG-K



Model	Tonnage	Stroke (mm)	Closed height (mm)	Cylinder diameter (mm)	Hollow diameter (mm)	Weight (kg)
HHYG-2050K	20	50	160	98	27	7.7
HHYG-20100K	20	100	210	98	27	9.5
HHYG-3050K	30	50	180	114	32	10.3
HHYG-30100K	30	100	230	114	32	13
HHYG-6050K	60	50	245	158	53	28.1
HHYG-60100K	60	100	295	158	53	38
HHYG-10075K	100	75	255	212	80	54.5

1.21 Eco range - Aluminium single acting cylinders - Series HHYG-L



Model	Tonnage	Stroke (mm)	Closed height (mm)	Cylinder diameter (mm)	Piston diameter (mm)	Oil capacity (cc)	Weight (kg)
HHYG-1050L	10	50	150	60	43	85	2
HHYG-10100L	10	100	195	60	43	150	2.7
HHYG-10150L	10	150	250	60	43	230	3.3
HHYG-2050L	20	50	160	90	60	150	4
HHYG-20100L	20	100	215	90	60	300	4.8
HHYG-20150L	20	150	260	90	60	430	5.6
HHYG-3050L	30	50	165	110	73	215	5.5
HHYG-30100L	30	100	225	110	73	423	6.3
HHYG-30150L	30	150	265	110	73	638	7.5
HHYG-5050L	50	50	170	140	90	325	8.2
HHYG-50100L	50	100	230	140	90	650	9.3
HHYG-50150L	50	150	270	140	90	985	12
HHYG-10050L	100	50	175	180	126	635	17
HHYG-100100L	100	100	265	180	126	1278	20.5
HHYG-100150L	100	150	275	180	126	1980	22.9

2.1 Hydraulic Bottle Jack - OPBJ



- Available working under 360 degree size 5T-20T
- By load return

Model	Capacity (T)	Stroke (mm)	Min height (mm)	Weight (kg)
OPBJ-5	5	80	200	5.5
OPBJ-10	10	80	200	7.5
OPBJ-20	20	80	235	11
OPBJ-30	30	80	285	16
OPBJ-50	50	80	300	28

2.2 Hydraulic Toe Jack - OPTJ



- Uses: Repairs, maintenance, installation of heavy machines
- Compact & stable construction
- Usable in any position
- Housing revolves 360 degrees
- Lowering speed can be accurately adjusted
- Protected against overloading
- Removable pump lever

Model	Capacity (T)	Stroke (mm)	Min toe height (mm)	Stroke range toe (mm)	Stroke range of head (mm)	Weight (kg)
OPTJ-5	5	205	25	25 - 230	368 - 573	27
OPTJ-10	10	230	30	30 - 260	420 - 650	39
OPTJ-25	25	215	58	58 - 273	505 - 720	102

2.3 Seperable Hydraulic Track Jack - Series HHQD



HHQD-F Series



HHQD-F Series

- For lifting heavy equipment with minium available access
- Low height lifting toe
- Precision guided to reduce friction and isolate cylinder from side loading
- F series powered by external pump for high use applications
- F series with extendable feet for extra stability

Model	Capacity (T)	Stroke (mm)	Min height (mm)	Jaws Height (mm)	Weight (kg)
HHQD-5	5	120	243	19	11.0
HHQD-10	10	150	290	22	23.0
HHQD-20	20	160	327	28	39.0
HHQD-30	30	160	347	32	62.0
HHQD-8F	8	90			4.0
HHQD-10F	10	136			36.0
HHQD-20F	20	157			69.0

3.1 General Purpose Hydraulic Hand Pumps

- Steel reservoir makes pump durable
- Large oil capacity with large and multiple cylinders

Model No	Usable Oil capacity (cm ³)	Pump Type	Pressure Rating (Bar)		Oil Displacement per stroke (cm ³)		Weight (kg)
			LP	HP	LP	HP	
HHB-700	0.7	Single acting, 2 speed	13	700	13	2.2	12
HHB-700A	2.7	Single acting, 2 speed	25	700	13	2.3	14
OPHP-159	2,2	Single acting, 2 speed	22	700	42.6	2.6	15
OPHP-300	5.0	Single acting, 2 speed	22	700	42.6	2.6	17
OPHP-460	7.5	Single acting, 2 speed	22	700	120	4.8	28
OPHP-159D	2,2	Double acting, 2 speed	22	700	42.6	2.6	20
OPHP-300D	5.0	Double acting, 2 speed	22	700	42.6	2.6	21
OPHP-460D	7.5	Double acting, 2 speed	22	700	120	4.8	32



HHB-700



OPHP-159 & 159D



HHB-700A



OPHP- 300 & 300D



OPHP-460 & 460D

3.2 Electric Pumps - General Purpose



HHB-700D

Model No	Usable Oil capacity (cm ³)	Pump Type	Pressure Rating (Bar)		Oil Displacement per stroke (cm ³)	
			LP	HP	LP	HP
OP-EP-1L-5L-220	5	Single acting, 2 speed	50	700	6	1

- Single acting, 2 speed
- Also available with single acting solenoid valve and double acting solenoid valve
- Industrial grade electric motor with control cable and pendant
- Durable steel reservoir
- Sturdy bent pipe steel frame
- Please contact us for special pumps and requirements

4.1 Hydraulic Punch



- Suitable for punching holes on "L" and "H" shape iron plates, copper & aluminium busbars
- Flat pedestal provides stability
- Made of high carbon tungsten steel - ultra wear resistant

HHM-70

Model	Tonnage (T)	Punch size	Iron sheet (max)	Copper busbar (max)	Weight
HHM-70	35	3/8" to 3/4"	8mm	12mm	37.5

Standard dies (inch/mm) : 3/8" (11.1) , 1/2" (14.3) , 5/8" (17.5) , 3/4" (20.6) x 4 sets

4.2 Hydraulic Spreader



- Single acting spring return
- WR-15: For long stroke spreading applications
- WR-13: Integrated pump offers portable power
- WR-5: For use in very confined work area

Model No	Cylinder Capacity (T)	Tip Clearance Max spread (mm)	Oil Capacity (cm ³)	Weight (kg)
WR-5	1	9/94	10	2.3
WR-15	0.75	32/292	64.1	11.3
WR-13	1.5	25/94	Built in hand pump	12

4.3 Hydraulic Flange Spreader



- For maintenance, commissioning, shutdowns, testing and valve changes
- No need for hand tools
- Integrated wedge concept: Eliminates flange damage and risk of spreading arm failure
- Requires very small access gap - 6mm
- FSH-14 is available as bolting tool-pump set for your ordering with spreader, hand pump, hose guage and adaptor

Model	Tonnage (T)	Tip clearance	Max spread	Oil capacity	Weight
FSM-8	8	6	81	78	6.5



- Simple, quick, no extra pump hose needed

Model	Tonnage (T)	Tip clearance	Max spread	Weight
FSH-15	14	6	81	11

4.4 Hydraulic Wedge Spreader



- Requires small access gap (10mm)

Model	Tonnage (T)	Min width (mm)	Stroke (mm)	Max spread (mm)	Weight
LW-16	16	10	21	81	9

4.5 Hydraulic Nut Splitter

- Heavy duty chisels can be reground
- HHQ-24 all intergral unit
- HHQ-24B with straight head for easy access
- HHQ-3241 to HHQ-6075 with angled head for high strength properties



HHQ-24



Model	Hexgaon nut range	Tonnage (T)	Bolt range	Weight
HHQ-1319	10 - 19	5	M6-12	1.2
HHQ-1924	19 - 24	10	M12-16	2.6
HHQ-2432	24 - 32	15	M16-22	4
HHQ-3241	32 - 41	20	M22-27	5.4
HHQ-4150	41 - 50	35	M27-33	10
HHQ-5060	50 - 60	50	M33-39	17
HHQ-6075	60 - 75	90	M39-48	34.1
HHQ-24	13 - 36	14	M8-24	8
HHQ-24B	13 - 36	14	M8-24	2.5

4.6 Hydraulic Pipe Flange Spreader



- Single acting spring return
- Lightweight design for ease-of-use
- Highly adjustable (60 - 216mm)

Model	Stud size (mm)	Tonnage (T)	Stroke (mm)	Oil capacity (cc)	Weight
FS-56	19 - 28	5	38	24.6	12
FS-109	31 - 41	10	54	78.7	18

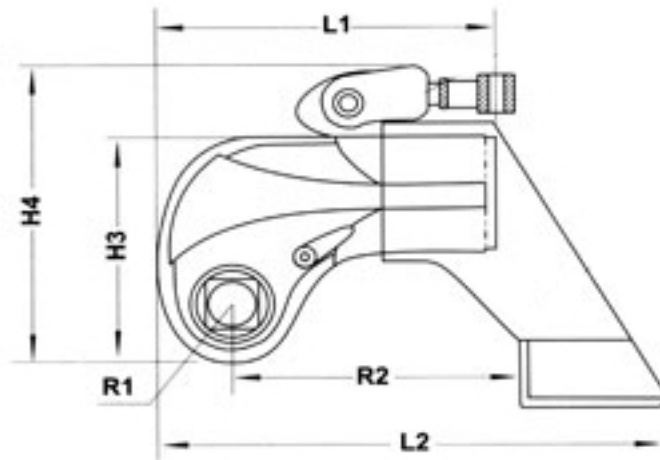
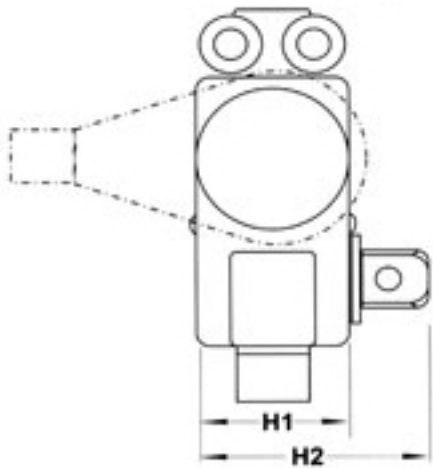
SECTION 5

HYDRAULIC BOLTING TOOLS

5.1 Hydraulic Square Drive Torque Wrench



- Made from aerospace grade material (aluminium titanium alloy)
- Ultra light and strong
- 360 degree swivel coupler allows free operation and easy access in all directions
- Trigger lock can be easily depressed
- Precision ratchet (+/- 3%)
- Largest square drive wrench in the industry OP35MXTA - 50 283Nm max torque



Model	Torque range (Nm)	Bolt size range (M)	Weight (kg)	Square drive size	L1	L2	H1	H2	H3	H4	R1	R2
OP1MXTA	194 - 1939	16 - 36	2	¾"	130	182	50	72	99	144	26	99
OP3MXTA	460 - 4605	22 - 48	4	1"	166	241	68	95	130	176	34	134
OP5MXTA	768 - 7682	27 - 56	7	1 ½"	198	281	80	123	155	198	39	152
OP8MXTA	1100 - 11001	30 - 64	9.1	1 ½"	213	308	90	130	171	216	47	171
OP10MXTA	1583 - 15834	36 - 72	13.1	1 ½"	231	336	100	141	187	230	51	174
OP20MXTA	2721 - 27208	42 - 90	25	2 ½"	295	443	120	182	228	268	59	250
OP25MXTA	3542 - 36446	48 - 100	31	2 ½"	314	464	137	200	255	295	67	251
OP35MXTA	7320 - 50283	64 - 120	45	2 ½"	355	489	153	217	290	330	79	271

5.2 Torque Wrench Sockets for OP-MXTA Wrenches



- Manufactured from high strength Chromium Molybdenum Alloy steel.
- According to DIN3121 and DIN3129.
- All sockets heat treated and hardened.

3/4" - OP1MXTA

Order code	Bolt size	Nut size	L1	L2	D1	D2
20024	M16	24	54	40	40	32
20027	M18	27	54	42	42	32
20030	M20	30	54	46	44	33
20034	M22	34	54	48	44	32
20036	M24	36	57	53	44	32
20041	M27	41	58	60	44	33
20046	M30	46	63	66	44	38
20050	M33	50	65	71	44	40
20055	M36	55	70	77	54	45

1" - OP3MXTA

Order code	Bolt size	Nut size	L1	L2	D1	D2
50030	M20	30	59	54	54	32
50034	M22	34	59	58	58	32
50036	M24	36	62	59	59	32
50041	M27	41	65	67	54	38
50046	M30	46	65	74	54	38
50050	M33	50	70	79	60	43
50055	M36	55	80	84	60	52
50060	M39	60	85	89	70	57
50065	M42	65	85	98	70	58
50070	M45	70	90	104	70	62
50075	M48	75	95	108	70	65

1½"

OP5MXTA
 OP8MXTA
 OP10MXTA

Order code	Bolt size	Nut size	L1	L2	D1	D2
801036	M24	36	85	74	74	44
801041	M27	41	85	74	74	44
801046	M30	46	85	74	74	44
801050	M33	50	90	79	79	45
801055	M36	55	90	84	84	45
801060	M39	60	100	94	94	45
801065	M42	65	100	98	890	45
801070	M45	70	105	104	80	50
801075	M48	75	110	118	85	50
801080	M52	80	115	118	90	55
801085	M56	85	125	128	90	60
801090	M60	90	125	139	90	60
801095	M64	95	130	139	90	65
801100	M68	100	135	144	90	70
801105	M72	105	135	149	90	70
801110	M76	110	135	158	90	70
801115	M80	115	135	159	90	70
801120	M85	120	135	168	95	70
801130	M90	130	155	189	95	93

2½"

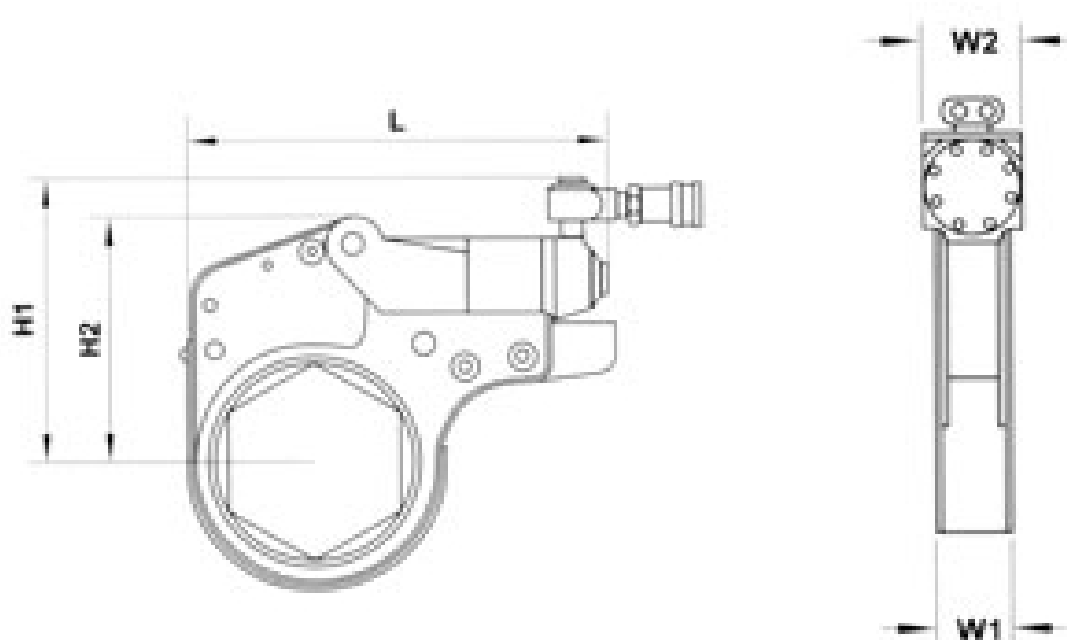
OP20MXTA
 OP25MXTA
 OP35MXTA

Order code	Bolt size	Nut size	L1	L2	D1	D2
2501055	M36	55	100	86	114	57
2501060	M39	60	100	119	119	52
2501065	M42	65	100	119	119	52
2501070	M45	70	120	128	128	67
2501075	M48	75	120	128	128	67
2501080	M52	80	130	128	128	71
2501085	M56	85	130	129	129	71
2501090	M60	90	140	139	139	73
2501095	M64	95	140	139	139	73
2501100	M68	100	140	148	130	81
2501105	M72	105	150	149	130	89
2501110	M76	110	150	158	130	90
2501115	M80	115	150	168	130	98
2501120	M85	120	150	178	130	98
2501130	M90	130	170	188	130	98
2501135	M95	135	170	198	130	114
2501145	M100	145	170	210	152	122
2501150	M105	150	190	216	152	140
2501155	M110	155	190	229	152	140
2501165	M115	165	190	241	152	140

5.3 Hydraulic Hex Drive Torque Wrench



- Made from aerospace grade material (aluminium titanium alloy)
- Ultra light and strong
- 360 degree swivel coupler allows free operation and easy access in all directions
- Changing of drive unit & cassettes done by hand
- Precision ratchet (+/- 3%)
- Largest hex drive wrench in the industry OP30XLCT - 41 882Nm max torque



Model	Range of Torque (Nm)	Ratchet link size range (S)	Weight of Power Head (kg)	Weight of Ratchet Link (kg)	L	H1	H2	W1	W2
OP2XLCT	180 - 1886	19 - 55	0.9	1.5	196	126	102	32	51
OP2XLCT	180 - 1886	60	0.9	1.5	196	129	105	32	51
OP4XLCT	440 - 5328	34 - 65	1.7	3.4	258	163	136	42	66
OP4XLCT	440 - 5328	70 - 80	1.7	3.4	263	173	146	42	66
OP8XLCT	892 - 10168	41 - 95	3	6.3	310	192	168	53	83
OP8XLCT	892 - 10168	100 - 105	3	6.3	311	201	177	53	83
OP14XLCT	1558 - 17639	50 - 117	4.6	11.4	360	225	204	64	99
OP30XLCT	3528 - 41882	110 - 155	10.4	20.5	430	303	272	85	131
OP30XLCT	3528 - 41882	160 - 175	10.4	20.5	441	315	285	85	131

5.4 Torque Wrench Reducer Sockets for OP-XLCT Wrenches



- Manufactured from high strength Chromium Molybdenum Alloy steel.
- According to DIN3121 and DIN3129.
- All sockets heat treated and hardened.

OP2XLCT		Optional reducer insert						
Ratchet Link	Hex size (mm)	Order code	A/B (mm)	Order code	A/B (mm)	Order code	A/B (mm)	Holding Ring
2XCTD-50	50	2G5041	50/41	2G5036	50/36	2G5032	50/32	H-50
2XCTD-46	46	2G4636	46/36	2G4632	46/32	2G4630	46/30	H-46
2XCTD-41	41	2G4132	41/32	2G4130	41/30	2G4127	41/27	H-41
2XCTD-36	36	2G3630	36/30	2G3627	36/27			H-36
2XCTD-32	32	2G3227	32/27					H-32
2XCTD-30	30							
2XCTD-27	27							

OP4XCLT		Optional reducer insert						
Ratchet Link	Hex size (mm)	Order code	A/B (mm)	Order code	A/B (mm)	Order code	A/B (mm)	Holding Ring
4XCTD-65	65	4G6555	65/55	4G6550	65/50	4G6546	65/46	H-65
4XCTD-60	60	4G6050	60/50	4G6046	60/46	4G6041	60/41	H-60
4XCTD-55	55	4G5546	55/46	4G5541	55/41	4G5536	55/36	H-55
4XCTD-50	50	4G5041	50/41	4G5036	50/36	4G5032	50/32	H-50
4XCTD-46	46	4G4636	46/36	4G4632	46/32	4G4630	46/30	H-46
4XCTD-41	41	4G4132	41/32	4G4130	41/30	4G4127	41/27	H-41
4XCTD-36	36	4G3630	36/30	4G3627	36/27			H-36
4XCTD-32	32	4G3227	32/27					H-32
4XCTD-30	30							
4XCTD-27	27							

OP8XCLT		Optional reducer insert						
Ratchet Link	Hex size (mm)	Order code	A/B (mm)	Order code	A/B (mm)	Order code	A/B (mm)	Holding Ring
8XCTD-90	90	8G9080	90/80	8G9075	90/75	8G9070	90/70	H-90
8XCTD-85	85	8G8575	85/75	8G8570	85/70	8G8565	85/65	H-85
8XCTD-80	80	8G0870	80/70	8G8065	80/65	8G8060	80/60	H-80
8XCTD-75	75	8G7565	75/65	8G7560	75/60	8G7555	75/55	H-75
8XCTD-70	70	8G7060	70/60	8G7055	70/55	8G7050	70/50	H-70
8XCTD-65	65	8G6555	65/55	8G6550	65/50	8G6546	65/46	H-65
8XCTD-60	60	8G6050	60/50	8G6046	60/46			H-60
8XCTD-55	55	8G5546	55/46	8G5541	55/41			H-55
8XCTD-50	50							

OP14CXLT		Optional reducer insert						
Ratchet Link	Hex size (mm)	Order code	A/B (mm)	Order code	A/B (mm)	Order code	A/B (mm)	Holding Ring
14XCTD-115	115	14G115105	115/105	14G115100	115/100	14G11595	115/95	H-115
14XCTD-110	110	14G110100	110/100	14G11095	110/95	14G11090	110/90	H-110
14XCTD-105	105	14G10595	105/95	14G10590	105/90	14G10590	105/90	H-105
14XCTD-100	100	14G10090	100/90	14G10085	100/85	14G10080	100/80	H-100
14XCTD-95	95	14G9585	95/85	14G9580	95/80	14G9575	95/75	H-95
14XCTD-90	90	14G9080	90/80	14G9075	90/75	14G9070	90/70	H-90
14XCTD-85	85	14G8575	85/75	14G8570	85/70	14G8565	85/65	H-85
14XCTD-80	80	14G8070	80/70	14G8065	80/65			H-80
14XCTD-75	75	14G7565	75/65					H-75
14XCTD-70	70							
14XCTD-65	65							

OP-30XCLT		Optional reducer insert						
Ratchet Link	Hex size (mm)	Order code	A/B (mm)	Order code	A/B (mm)	Order code	A/B (mm)	Holding Ring
30XCTD-155	155	30G155145	155/145	30G155130	155/130	30G155120	155/120	H-155
30XCTD-145	145	30G145130	145/130	30G145120	145/120	30G145115	145/115	H-145
30XCTD-130	130	30G130120	130/120	30G130115	130/115	30G130110	130/110	H-130
30XCTD-120	120	30G120110	120/110	30G120105	120/105	30G120110	120/100	H-120
30XCTD-115	115	30G115105	115/105	30G115100	115/100	30G11595	115/95	H-115
30XCTD-110	110	30G110100	110/100	30G11095	110/95	30G11090	110/90	H-110
30XCTD-105	105	30G10595	105/95	30G10590	105/90	30G10590	105/90	H-105
30XCTD-100	100	30G10090	100/90	30G10085	100/85	30G10080	100/80	H-100
30XCTD-95	95	30G9585	95/85	30G9580	95/80			H-95
30XCTD-90	90	30G9080	90/80					H-90
30XCTD-85	85							
30XCTD-80	80							

5.5 Torque Pumps



OP-ETP-10-1.2-220



OP-ETP-10-1.2-220-A

- Two stage pump
- Torque pressure adjustable via external relief valve
- Control via remote control pendant
- With intergrated cooling system for continuous operation
- A type has automated pressure control
- A type pressure control via pressure sensors
- A type pressure setting via LCD panel

Model	Pump Type	Pressure Rating (Bar)		Flow rate (L/min)		Weight (kg)
		LP	HP	LP	HP	
OP-ETP-10-1.2-220	Torque pump, 2 speed	50	700	10	1.2	26
OP-ETP-10-1.2-220-A	Torque pump, 2 speed	50	700	10	1.2	26

6.1 Hydraulic Puller Integral – Light duty



Model	Capacity	Reach (mm)	Spread (mm)	Stroke (mm)	Weight (kg)
OP-IPL4	4	165	30-200/260	55-105	7.2
OP-IPL6	6	165	30-200/260	82-130	7.5
OP-IPL6L	6	195	30-200/300	82-180	8.1
OP-IPL6B	6	165/195	30-200/300	82-180	9.5
OP-IPL8	8	210	30-250/355	82-160	8.6
OP-IPL8L	8	240	30-300/380	82-240	9.7
OP-IPL8B	8	210/240	30-300/380	82-240	11.7
OP-IPL10	10	240	50-280/380	82-180	11.7
OP-IPL10L	10	320	50-350/410	82-280	27.1
OP-IPL10B	10	240/320	50-350/410	82-280	30.1

6.2 Hydraulic Puller Integral – Heavy duty Cobra type



Model	Capacity	Reach (mm)	Spread (mm)	Stroke (mm)	Weight (kg)
OP-IPC10	10	195	30-250/310	82-130	11.6
OP-IPC10L	10	250	30-280/340	82-180	16.7
OP-IPC10B	10	195/250	30-280/340	82-180	18.5
OP-IPC12	12	240	30-300/370	82-160	9.5
OP-IPC12L	12	280	30-330/400	82-240	18.5
OP-IPC12B	12	240/280	30-330/400	82-240	20.1
OP-IPC20	20	275	50-360/430	82-180	23.7
OP-IPC20L	20	330	50-380/450	82-280	28.2
OP-IPC20B	20	275/330	50-380/450	82-280	46.3
OP-IPC25	25	315	50-410/480	110-220	35.6
OP-IPC25L	25	380	50-440/540	110-330	37.8
OP-IPC25B	25	315/380	50-440/540	110-330	46.3
OP-IPC30	30	415	100-540/610	110-260	50

6.3 Hydraulic Master Puller



Model	Capacity	Cylinder	Grip puller	Cross Bearing puller	Bearing Cup Puller	Bearing Puller	Weight (kg)
OP-BHP-1752G	8 Ton	OPCH-121	OP-BHP-1762	OP-BHP-1772	OP-BHP-180	OP-BHP-181	37
			Max spread 249mm Max reach 252mm	Max spread 266mm Max reach 462mm	Max spread 110mm Max reach 110mm	Max spread 104mm Max reach 126mm	
OP-BHP-2751G	20 Ton	OPCH-202	OP-BHP-252	OP-BHP-262	OP-BHP-280	OP-BHP-282	90
			Max spread 499mm Max reach 300mm	Max spread 351mm Max reach 571mm	Max spread 220mm Max reach 140mm	Max spread 130mm Max reach 150mm	
OP-BHP-3751G	30 Ton	OPCH-302	OP-BHP-352	OP-BHP-362	OP-BHP-380	OP-BHP-382	172
			Max spread 800mm Max reach 387mm	Max spread 454mm Max reach 711mm	Max spread 359mm Max reach 145mm	Max spread 245mm Max reach 264mm	
OP-BHP-5751G	50 Ton	OPCH-603	OP-BHP-552	OP-BHP-562	OP-BHP-580	Op-BHP-582	298
			Max spread 1100mm Max reach 700mm	Max spread 570mm Max reach 863mm	Max spread 359mm Max reach 145mm	Max spread 245mm Max reach 264mm	

6.4 Roller Cart Puller



Model	Capacity	Stroke (mm)	Spread (mm)
OPGR50	50 Ton	150	100 - 800
OPGR100	100 Ton	200	200 - 1000
OPGR200	200 Ton	250	300 - 1500
OPGR300	300 Ton	300	400 - 1800
OPGR500	500 Ton	350	500 - 2000

6.5 Roller Cart Puller



Model	Capacity	Min jaw opening (mm)	Pulling depth at min opening (mm)	Max jaw opening (mm)	Pulling depth at max opening (mm)	Regulation of pulling centre height (mm)	Cylinder stroke (mm)	Power supply	Overall length (mm)
OP50337	50 Ton	100	381	1220	178	450 - 1120	337	380V	2286
OP50L337	50 Ton	64	651	1150	559	450 - 1120	337	380V	2590

6.6 Roller Cart Puller



Model	Capacity	Min jaw opening (mm)	Pulling depth at min opening (mm)	Max jaw opening (mm)	Pulling depth at max opening (mm)	Regulation of pulling centre height (mm)	Cylinder stroke (mm)	Power supply	Overall length (mm)
OP2560	60 Ton	140	790	1000	650	305 - 915	250	380V	3015
OP25100	100Ton	381	1066	1219	863	305 - 915	250	380V	2885

6.7 Roller Cart Puller



Model	Capacity	Min jaw opening (mm)	Max jaw opening (mm)	Cylinder stroke (mm)
OP-HPL-CMBP-80T	80	130	370	280
OP-HPL-CMBP-100T	100	170	420	350
OP-HPL-CMBP-150T	150	210	450	400
OP-HPL-CMBP-200T	200	450	650	500

SECTION 7

HYDRAULIC CUTTERS & CRIMPERS

7.1 Integral Cutting Tools



HHD-40



HHD-40A

- For cutting telephone, lead sheathed and underground cable
- Rugged and aesthetic design
- Patented automatic over-pressurisation safety device
- Integral unit with hand pump, 2 speed, fast approach, slow cut
- All tools supplied in a sturdy plastic carry case

Model	Tonnage	Telephone cable max size	Lead sheathed cable XLPE	Underground cable	Weight (kg)
HHD-40	7	40 mm	40 mm	40 mm	6
HHD-40A	16	40 mm	40 mm	40 mm	8.5

7.2 Seperable Cutting Tools



HHD-85F



HHD-100F

HHD-120F



- For cutting telephone, lead sheathed and underground cable
- Rugged and aesthetic design
- Patented automatic over-pressurisation safety device
- Stand alone unit , can be paired with hand or electric pump
- All tools supplied in a sturdy plastic carry case

Model	Tonnage	Telephone cable max size	Lead sheathed cable XLPE	Underground cable	Weight (kg)
HHD-85F	5	85 mm	85 mm	50 mm	7
HHD-100F	8	100 mm	100 mm	75 mm	11
HHD-120F	8	120 mm	120 mm	75 mm	13

7.3 Integral Crimping Tools



HHY-150

HHY-300

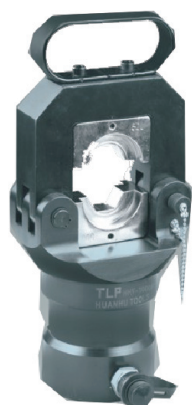
HHY-240B

HHY-400B

- For crimping copper and aluminum terminals - hexagonal shape
- Rugged and aesthetic design
- Patented automatic over-pressurisation safety device
- Two speed, fast approach - slow crimp
- All tools supplied in a sturdy plastic carry case

Model	Tonnage	Stroke (mm)	Crimping range (mm ²)	Standard dies (mm ²)	Weight (kg)
Model	Tonnage	Stroke (mm)	Crimping range (mm ²)	Standard dies (mm ²)	Weight (kg)
HHY-150	12	18	16 - 150	16,25,50,70,95,120,150	8.2
HHY-300	12	18	16 - 300	As above + 185,240,300	9
HHY-240B	14	20	16 - 240	16,25,35,50,70,95,120,150,185,240	8.5
HHY-400B	16	32	16 - 400	16,25,35,50,70,95,120,150,185,240,300,400	11

7.4 Seperable Crimping Tools



HHY-630F & HHY-1000F

HHY-510F

HHY-100TF

- For crimping high voltage cables(10 kV to 500 kV), wire holders, ferrules and terminals.
- Rugged and aesthetic design
- Patented automatic over-pressurisation safety device
- Best matched with electric pump for continuous use
- All tools supplied in a sturdy plastic carry case

Model	Tonnage	Stroke (mm)	Crimping range (mm ²)	Standard dies (mm ²)	Weight (kg)
HHY-510F	16	38	16-400	50, 70, 95, 120, 150, 185, 240, 400, 400	7.2
HHY-630F	25	22	150-630	240, 300, 400, 500, 630	13.5
HHY-1000F	45	30	240-1000	400, 500, 630, 800, 1000	24
HHY-100TF	100	24		Sub sleeve pipe of aluminium end of copper Ø76mm. Steel sleeve pipe 36mm	43.5

SECTION 8

HYDRAULIC PIPE BENDERS

8.1 Hydraulic Pipe Benders Integral



Model	Tonnage	Stroke (mm)	Bending range (mm)	Bending formers (in)	Wall thickness of pipe (mm)	Weight (kg)
HHW-2J	9	250	21.3 to 60	1/2", 3/4", 1", 1 1/4", 1 1/2", 2"	2.75 to 4.5	53
HHW-3J	19	320	21.3 to 88.5	1/2", 3/4", 1", 1 1/4", 1 1/2", 2", 3"	2.75 to 5	117
HHW-4J	21	370	21.3 to 108	1/2", 3/4", 1", 1 1/4", 1 1/2", 2", 3", 4"	2.75 to 6	200

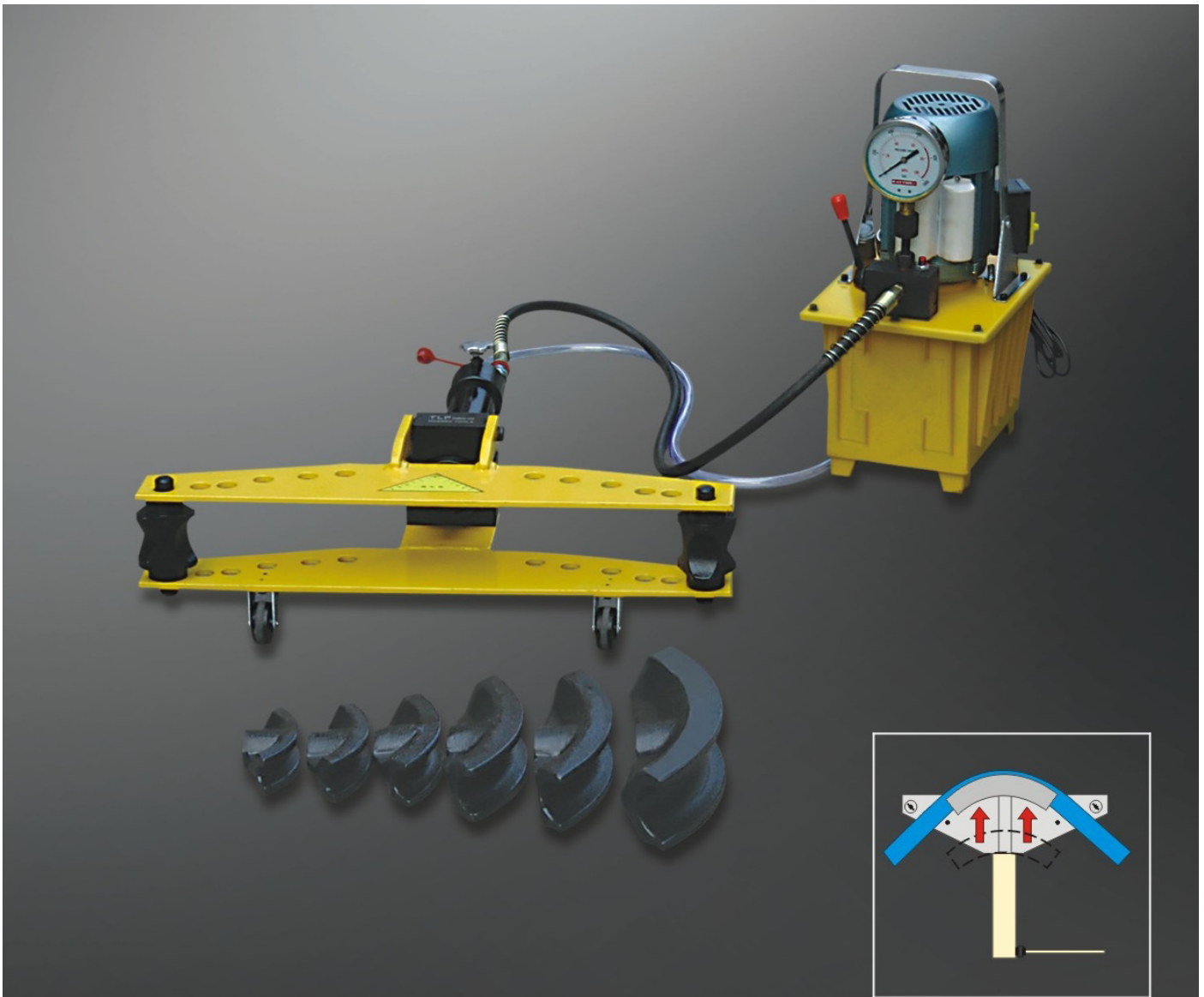
8.2 Hydraulic Pipe Benders Integral Compact



HHW-1A

Model	Tonnage	Stroke (mm)	Bending range (mm)	Bending formers (in)	Wall thickness of pipe (mm)	Weight (kg)
HHW-1A	6	150	10 to 25	3/8", 1/2", 3/4", 1"	1.5 to 3.5	16

8.3 Hydraulic Pipe Benders Electric



Model	Tonnage	Stroke (mm)	Bending range (mm)	Bending formers (in)	Wall thickness of pipe (mm)	Weight (kg)
HHW-2D	9	250	21.3 to 60	1/2", 3/4", 1", 1 1/4", 1 1/2", 2"	2.75 to 4.5	70
HHW-3D	19	320	21.3 to 88.5	1/2", 3/4", 1", 1 1/4", 1 1/2", 2", 3"	2.75 to 5	124
HHW-4D	21	370	21.3 to 108	1/2", 3/4", 1", 1 1/4", 1 1/2", 2", 3", 4"	2.75 to 6	170

8.4 Hydraulic Pipe Benders Electric



Model	Max pipe size (mm)	Bending formers mm(in)	Bending angle	Rotation speed of main shaft	Electric motor	Weight (kg)
HHW-40A	● 40 diameter	Ø40(1½"), Ø32(1¼"), Ø25(1"), Ø20(¾"), Ø16(5/8")	α<180°	1400	3 kW 4 pole, 220V 50 Hz	300
	■ 40x40x40					
	L 30x30					

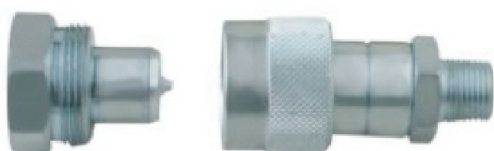
9.1 Hydraulic Hoses



Model	Description
OP-7830	Hose assembly, 2.5m, 1/4" Hose with 3/8" NPT male both ends
OP-7845	Hose assembly, 3.0m, 1/4" Hose with 3/8" NPT male both ends
OP-7825	Hose assembly, 4.5m, 1/4" Hose with 3/8" NPT male both ends

- High quality hydraulic system accessories
- All ports and male threads 3/8" NPT, interchangeable with popular brands
- Special hose assemblies available on request

9.2 Hydraulic Quick Couplers



HHYG-HH-III

OP-A630

Model	Description
HHYG-HH-III	Quick coupler set, 3/8" NPT standard male and female
HHYG-HH-III-M	Quick coupler, 3/8" NPT standard male
HHYG-HH-III-F	Quick coupler, 3/8" NPT standard female
OP-A630	Quick coupler set, 1/4" NPT standard male and female
OP-A630-M	Quick coupler, 1/4" NPT standard male
OP-A630-F	Quick coupler, 1/4" NPT standard female

- High quality hydraulic system accessories
- All ports and male threads 3/8" NPT, interchangeable with popular brands
- Couplers fully interchangeable with local brands

9.3 Hydraulic Pressure Gauges



HHYG-PG-700B-14B



HHYG-FGT-14-38

Model	Description
HHYG-PG-700B-14B	Pressure gauge, 63mm dial, 0 to 700 Bar , 1/4" NPT bottom entry
HHYG-FGT-14-38	Gauge fitting, 3/8" NPT in and out, 1/4" gauge entry

- High quality hydraulic system accessories
- All ports and male threads 3/8" NPT, interchangeable with existing popular brands
- Quick couplers also interchangeable with existing brands
- Special accessories, hoses, fittings, gauges, throttle valve assemblies available upon request

9.4 Hydraulic Valves and Fittings



OPHFVT1



OPHFFN1
OPHFFN2
OPHFFN3



OPHFFE1
OPHFFE2



OPHFFD1



OPHFFT1



OPHFFC1

- High quality hydraulic system accessories
- All ports and male threads 3/8" NPT, interchangeable with existing popular brands
- Quick couplers also interchangeable with existing brands
- Special accessories, hoses, fittings, gauges, throttle valve assemblies available upon request



OPHFFS1
OPHFFS2



OPHFFR1
OPHFFR2

Model	Description
OPHFVT1	Throttle/shut off valve, 3/8" NPT
OPHFFN1	Nipple 1/4" NPT male to 1/4" NPT male
OPHFFN2	Nipple 3/8" NPT male to 3/8" NPT male
OPHFFN3	Nipple 3/8" NPT male to 1/4" NPT male
OPHFFE1	Elbow 3/8" NPT female to 3/8" NPT female
OPHFFE2	Elbow 3/8" NPT male to 3/8" NPT female
OPHFFS1	Socket 3/8" NPT female to 3/8" NPT female
OPHFFS2	Socket 1/4" NPT female to 3/8" NPT female
OPHFFT1	Tee 3/8" NPT female all round
OPHFFC1	Cross 4 way 3/8" NPT female all round
OPHFFD1	Distributor 5 way hex 3/8" NPT female all round
OPHFFR1	Reducer 3/8" NPT male to 1/4" NPT female
OPHFFR1	Reducer 1/4" NPT male to 3/8" NPT female



Power, Performance and Price

THIS IS TLP

19 Marelden Street PO Box 3268
Techno Park, Ext 4 Witbank
Witbank, South Africa South Africa, 1035

Tel : +27 13 656 0004
Fax : +27 13 656 3568
Alt Fax : +27 86 551 9329

Email : info@solotrade.co.za
Website : www.solotrade.co.za



ISO9001