

HARRIS®

GAS APPARATUS & FLOW CONTROL EQUIPMENT

From a small shop on Cleveland Ohio's west side to our high-tech factory in Gainesville, Georgia, Harris History is as impressive as the products we produce.

HARRIS CALORIFIC CO., a pioneer in the production of gas welding and cutting apparatus was founded by John Harris, who discovered the oxy-acetylene method of cutting in 1899 while conducting research on the manufacture of synthetic rubies. His discovery led to the manufacture of the nation's first flame-cutting torch.

After exhibiting his cutting torch at the 1904 St. Louis World's Fair he established the company in 1905. Harris continued to refine its gas torches and began to produce related accessories, such as gas pressure regulators.

The U.S. Welding Co. of Minnesota purchased Harris in 1926. U.S. Welding's founder Lorne Campbell, Jr., served as President until the 1950's when Clarence Taylor assumed the position.

After World War 11, the company found new markets for its products in research laboratories, aircraft and missile manufactures. Under Clarence Taylor, Harris expanded national distribution, developed new equipment, stepped up advertising, and established subsidiaries and distributorships abroad.

Harris Australia/New Zealand is a proud member of the global family and is staffed by an excellent team. Their vast collection of knowledge is readily available to support the Harris products/spare parts/demo's/ gas audits/onsite training/productivity accesments and cost reduction programs.



**Made
in
Europe**

Acetylene Kits

**K
i
t
s**

Craftsman

The Regulators are ideally suited for the mobile light trade. Flexible tip allows the operator to get into tight places.

The HARRIS mixing system uses gas at much lower pressures which provides gas savings and increased safety.

Operator's will enjoy the front mounted valves, providing the ability to alter flame one handed.

Also includes Reg-End Flashback Arrestors and Flashguards on Handle.

Includes 10 metres of 6mm Harris Oxy/Acet Hose.

Part No 19660116

601-AC



601-OX



00908



50903



50905



019038



H192E



188TAR



188TAL



Contractors Gaugeless

As above with larger regulators Model 818 which are ideal on the back of trucks and utes as there are no gauges to be damaged.

Part No 1968186

818Z001



818Z003



**Complies to
ISO 5172
AS 4267
AS 4839
Standards**

Contractors

Model 801 regulators with large diameter easy to read gauges.

Hard hats are available to protect the gauges whilst on the back of a truck or a ute.

Part No 19680116

**19680126
(Side Entry OXY)**

801E150AC21



801E1000OX13



6RBTH10M+F



Made in Europe

LPG Kits

Craftsman

The Regulators are ideally suited for the mobile light trade. Flexible tip allows the operator to get into tight places.

The HARRIS mixing system uses gas at much lower pressures which provides gas savings and increased safety.

Operator's will enjoy the front mounted valves, providing the ability to alter flame one handed.

Also includes Reg-End Flashback Arrestors and Flashguards on Handle.

Includes 10 metres of 6mm Harris Oxy/LPG Hose.

Part No 19660117

601-LPG



601-OX



K
i
t
s



Contractors Gaugeless

As above with larger regulators Model 818 which are ideal on the back of trucks and utes as there are no gauges to be damaged.

Part No 1968187

818Z002



818Z003



**Complies to
ISO 5172
AS 4267
AS 4839
Standards**

Contractors

Model 801 regulators with large diameter easy to read gauges.

Hard hats are available to protect the gauges whilst on the back of a truck or a ute.

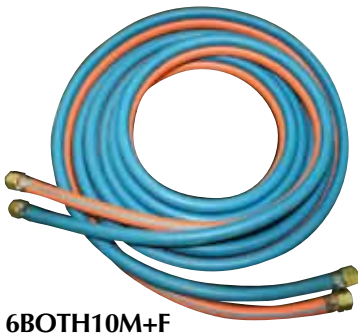
Part No 19680117

19680127
(Side Entry OXY)

801Z005



801E1000OX13



**Made
in
Europe**

Acetylene Upgrade Kit

K
i
t
s

Craftsman

The Regulators are ideally suited for the mobile light trade.

Flexible tip allows the operator to get into tight places.

The HARRIS mixing system uses gas at much lower pressures which provides gas savings and increased safety.

Operator's will enjoy the front mounted valves, providing the ability to alter flame one handed.

Also includes Reg-End Flashback Arrestors and Flashguards on Handle.

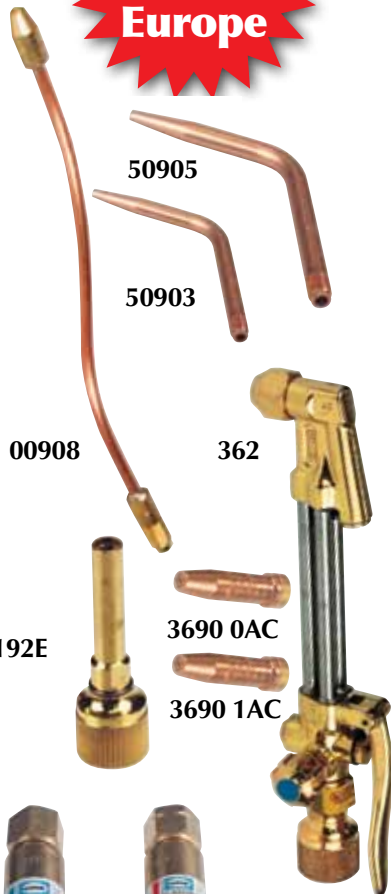
Includes 10 metres of 6mm Harris Oxy/Acet Hose.

Part No 193660116

601-AC



601-OX



00908

362

H192E

3690 0AC

3690 1AC

188TAR

188TAL

019038

Contractors Gaugeless

As above with larger regulators Model 818 which are ideal on the back of trucks and utes as there are no gauges to be damaged.

Part No 19368186

818Z001



818Z003



6RBTH10M+F

**Complies to
ISO 5172
AS 4267
AS 4839
Standards**

Contractors

Model 801 regulators with large diameter easy to read gauges.

Hard hats are available to protect the gauges whilst on the back of a truck or a ute.

Part No 193680116

193680126

(Side Entry OXY)

801E150AC21



801E1000OX13



Made in Europe

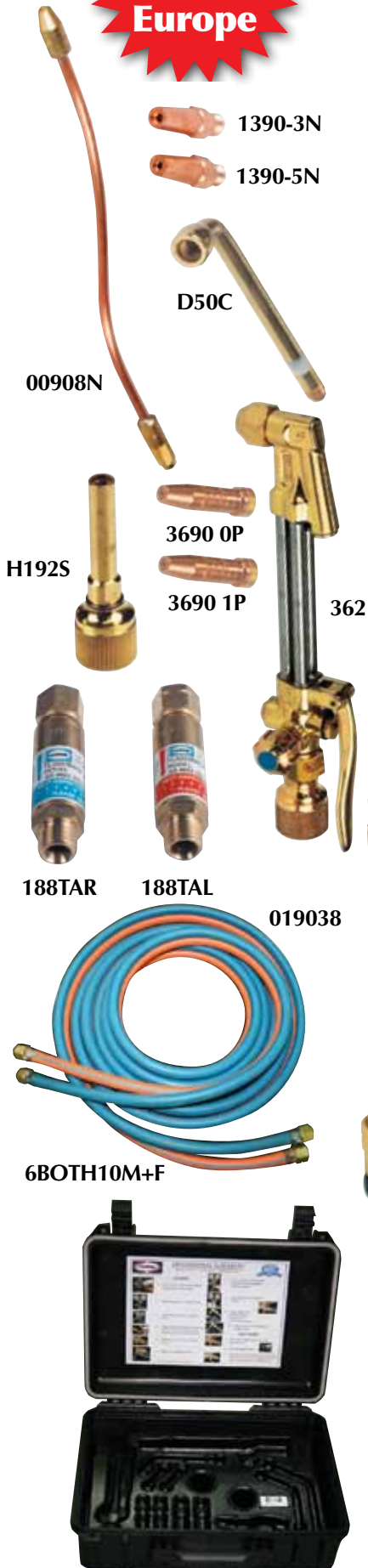
LPG Upgrade Kit

Craftsman

The Regulators are ideally suited for the mobile light trade. Flexible tip allows the operator to get into tight places. The HARRIS mixing system uses gas at much lower pressures which provides gas savings and increased safety. Operator's will enjoy the front mounted valves, providing the ability to alter flame one handed. Also includes Reg-End Flashback Arrestors and Flashguards on Handle.

Includes 10 metres of 6mm Harris Oxy/LPG Hose.

Part No 193660117



Contractors Gaugeless

As above with larger regulators Model 818 which are ideal on the back of trucks and utes as there are no gauges to be damaged.

Part No 19368187

Complies to ISO 5172 AS 4267 AS 4839 Standards

Contractors

Model 801 regulators with large diameter easy to read gauges. Hard hats are available to protect the gauges whilst on the back of a truck or a ute.

Part No 193680117
193680127
(Side Entry OXY)



K
i
t
s

**Made
in
Europe**

Acetylene Compatible Kit

Classic kit-B/W/H/C

K
i
t
s

The Regulators are ideally suited for the mobile light trade. The HARRIS mixing system uses gas at a lower pressure i.e. 40Kpa on Acet which provides gas savings and increased safety. Operator's will enjoy that the handle, suits right or left hand. Cutting attachment has a built in "ease-on" valve, for less sparks when starting and hot tips ensure quick starting. Kit includes Reg-End Flashback Arrestors and Flashguards on Handle.

Includes 10 metres of 6mm Harris Oxy/Acet Hose.



801E150AC21



801E1000OX13

Part No 637380116HC



801E150AC21



801E1000OX13

Part No 637380126HC

(Side entry Oxy)

**Made
in
Europe**

LPG Compatible Kit

Classic kit-B/H/C



The Regulators are ideally suited for the mobile light trade. The HARRIS mixing system uses gas at a lower pressure i.e. 40Kpa on Acet which provides gas savings and increased safety. Operator's will enjoy that the handle, suits right or left hand. Cutting attachment has a built in "ease-on" valve, for less sparks when starting and hot tips ensure quick starting. Kit includes Reg-End Flashback Arrestors and Flashguards on Handle.

Includes 10 metres of 6mm Harris Oxy/LPG Hose.

**Complies to
AS 4267
AS 4839
Standards**

Part No 637380117HC

Part No 637380127HC
(Side entry Oxy)

**Made
in
Europe**

Acetylene Original Kit

Classic kit-B/W/H/C

The Regulators are ideally suited for the mobile light trade. The HARRIS mixing system uses gas at a lower pressure i.e. 40Kpa on Acet which provides gas savings and increased safety. Operator's will enjoy that the handle, suits right or left hand. Cutting attachment has a built in "ease-on" valve, for less sparks when starting and hot tips ensure quick starting. Kit includes Reg-End Flashback Arrestors and Flashguards on Handle.

Includes 10 metres of 6mm Harris Oxy/Acet Hose.



801E150AC21



801E1000OX13

Part No 637380116



23A905

23A908

E43

0AC

1AC

188TAR

188TAL

733

632

Flashguards



6RBTH10M+F



**Complies to
ISO 5172
AS 4267
AS 4839
Standards**



801E150AC21



801E1000OX13

Part No 637380126

(Side entry Oxy)

**Made
in
Europe**

LPG Original Kit

Classic kit-B/H/C

The Regulators are ideally suited for the mobile light trade. The HARRIS mixing system uses gas at much lower pressures i.e. 1.5Kpa on LPG which provides gas savings and increased safety.

Operator's will enjoy that the handle, fitting right or left hand. Cutting attachment has a built in "ease-on" valve for less sparks when starting and hot tips ensure quick starting.

Includes Reg-End Flashback Arrestors and Flashguards on Handle.

Includes 10 metres of 6mm Harris Oxy/LPG Hose.



**Complies to
ISO 5172
AS 4267
AS 4839
Standards**



Part No 634980117



Part No 634980127

(Side entry Oxy)



Acetylene Original Kit



K
i
t
s

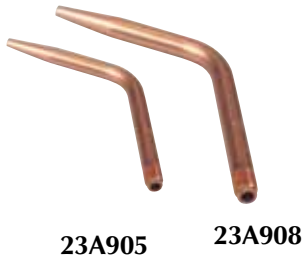
Pro kit-B/W/H/C

The Regulators are ideally suited for mobile heavy duty applications. Snap Safe Protection is the answer to lifting safety to a new level. The HARRIS mixing system uses gas at lower pressure i.e. 40Kpa on Acetylene which provides gas savings and increased safety.



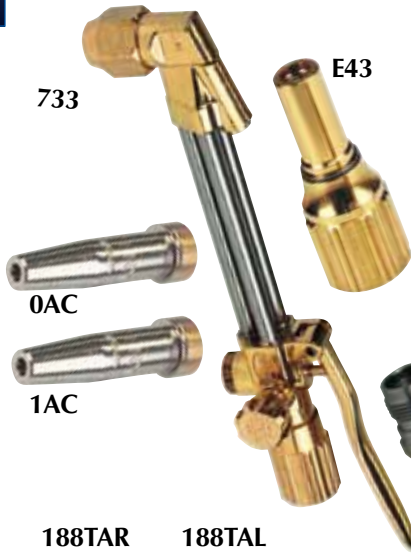
825EX150AC33

825EX1000OX3



23A905

23A908



733

E43

0AC

1AC

188TAR

188TAL

Operator's will enjoy that the high flow handle, suits right or left hand. Cutting attachment has a built in "ease-on" valve, for less sparks when starting and hot tips ensure quick starting. Kit includes Reg-End Flashback Arrestors and Flashguards on the Handle.

Part No 437382516

Snap Safe →

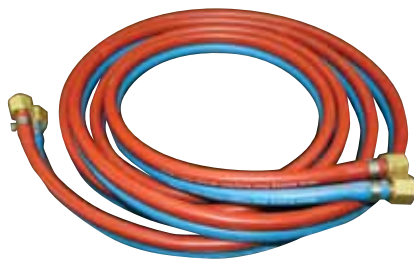


043013

Flashguards

Part No 437382526

(Side entry Oxy)



6RBTH10M+F

FIRE & SAFETY HAZARD

When a cylinder falls over the regulator can break off, gas escapes, threatening fire, explosion and injury

Snap Safe = Solution!

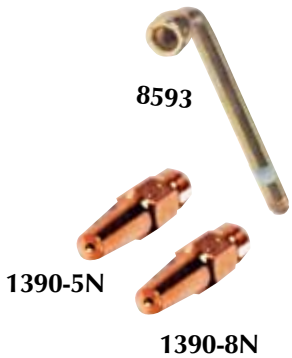
LPG Original Kit

Pro kit-B/H/C

Made in Europe

The Regulators are ideally suited for mobile heavy duty applications. **Snap Safe** Protection is the answer to lifting safety to a new level. The HARRIS mixing system uses gas at much lower pressure i.e. 1.5Kpa on LPG which provides gas savings and increased safety.

Operator's will enjoy that the high flow handle, will suit right hand and left hand users. Cutting attachment has a built in "ease-on" valve, for less sparks when starting and hot tips ensure quick starting. Kit includes Reg-End Flashback Arrestors and Flashguards on the Handle.



Flashguards



Part No **434982517**

Snap Safe Protection

Complies to
ISO 5172
AS 4267
AS 4839
Standards

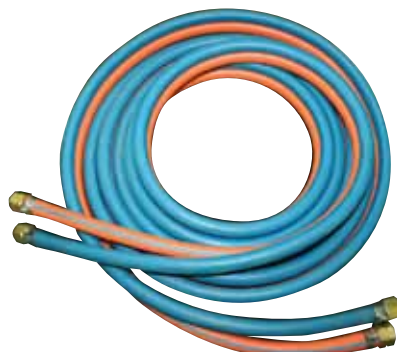
Part No **434982527**

(Side entry Oxy)

FIRE & SAFETY HAZARD

When a cylinder falls over the regulator can break off, gas escapes, threatening fire, explosion and injury

Snap Safe = Solution!



6BOTH10M+F

LPG Fab Kit C/H/G

Made in Europe

Part No 14282517 (Vertical Inlet Oxy)

Part No 14282527 (Side Entry Oxy)

This kit suits boilermaker workshops, the performance of this equipment enhances Oxy/Propane as a real low cost alternative.

Cut/heat/Gouge in one safe kit!

Features include -

- ▶ Harris quality in every item
- ▶ Solid and tough
- ▶ Tips and spare parts readily available
- ▶ Hose included in kits
- ▶ Gauge hard hats incl.
- ▶ Large diaphragm improves sensitivity

Hot Tip Technology

1NX

2NX

3NX

▶ Two piece, pull apart cutting tip

3GG

H622P

▶ Hot/quick gouging/heating

142033

▶ Easy to read gauges

8BOTH10M+F

▶ High flow regulators

825Z005

▶ Ease-on cutting valve

515mm x 435mm x 225

1882TAL

▶ Operates on very low fuel pressure

1882TAR

▶ Snap Safe increases safety

825EX1000OX3

**Complies to
ISO 5172
AS 4267
AS 4839
Standards**

Pressure Regulators

Model 601

This regulator is primarily designed for the small industry i.e. home handyman where light use and lower cost are the main concerns. Made in Harris Europe complies to EN ISO 2503

Features Include-

- ▶ Tough - solid metal body & bonnet
- ▶ Filter
- ▶ Built-in relief
- ▶ Clear colour coding
- ▶ Easy to read metal cased gauges
- ▶ Special threads and seals-reduces leaks

Wt. 0.8kg



801E1000X13



*Point of purchase display.
Either hangs or self standing
on a shelf*

Model 801

This conventional gauge regulator is designed to control pressure and flow. Typical Harris design permits a small, compact, rugged regulator with unusually high flow and the following:

Features Include- Wt. 1.3kg

- ▶ Tough - solid metal body & bonnet
- ▶ Monel filter
- ▶ Built-in burst relief
- ▶ Clear colour coding
- ▶ Large, easy to read gauges, with safety seal
- ▶ Conforms to AS 4267
- ▶ Rated to 240 bar
- ▶ Oxygen Fitted with internal self reseating relief valve



- | | |
|--------------------|-------------------------------------|
| 801E150AC21 | Acetylene 150K Vertical Inlet |
| 801E1000X13 | Oxygen 1000K Vertical Inlet |
| 8011000X13 | Oxygen 1000K Side Inlet |
| 801Z005 | Propane 350K Side Inlet (one gauge) |

Model 818

This Regulator is identical to the 801 but without gauges. Cylinder pressure is shown on the indicator. Delivery pressure is set by turning the black knob on the calibrated (engraved) bonnet, lining up with the pressure mark. Ideal for working in tough conditions. Fits onto side or vertical outlet cylinders.

Wt. 1.2kg



818Z001

- | | |
|----------------|------------------------------|
| 818Z001 | Acetylene 150kPa Vert. Inlet |
| 818Z002 | Propane 350kPa Side Inlet |
| 818Z003 | Oxygen 800kPa Vert. Inlet |



818Z003

Flow Control Regulators

Model 801

- 801E30L** Argon 30LPM Flowgauge Vertical Inlet
- 80130LKCD271** CO2 30LPM Flowgauge Side Inlet
- 80130LKAR211** Argon 30LPM Flowgauge Side Inlet

Features include- Wt. 1.3kg

- ▶ Easy to read gauges
- ▶ Inlet filter to trap impurities
- ▶ Accurate
- ▶ Fitted with internal self reseating safety relief valve
- ▶ Forged brass body for maximum strength
- ▶ Smooth, steady adjustment
- ▶ Special threads and seals to reduce risk of leaking expensive odourless gas
- ▶ **Harris** capsule seat with filter for reliability
- ▶ Filter before outlet nipple to ensure flow

**Made
in
Europe**



801E30L

Model 821DB

Ideal for MIG or TIG applications where different flowrates are required from the one devise. This design provides accurate regulation to both flowmeters.

Features include -

- ▶ Proven high pressure seat
- ▶ Tamper proof, self reseating safety relief valve
- ▶ Precise flow regulation
- ▶ Large, easy to read gauge in kPa
- ▶ Quality, accurate measurement
- ▶ Precise needle valves for accurate adjustment

- 821DB1** CO2, regulator (rear inlet) + 2 flowmeters
- 821DB2** Argon, regulator (vert. inlet) + 2 flowmeters
- 821DB3** Argon, regulator (rear inlet) + 2 flowmeters



821DB2

Model 811

A heater and flow regulator in one neat unit. **Both** items manufactured by Harris to ensure long life.

Features include -

- ▶ Proven high pressure seat
- ▶ Tamper proof, self reseating safety relief valve
- ▶ Large, easy to read gauges
- ▶ Conforms to EN 562
- ▶ Assures high safety levels, long life



81130LH

- 81130LH** CO2, flow regulator with heater

Flow Control Regulators

Features include -

- ▶ CE marked
- ▶ Two independent heating elements controlled by thermostat
- ▶ Stabilized temperature up to 30 LPM
- ▶ Overheating protection with reseatable thermal fuse
- ▶ Insulation IP 64 (EN 60529)
- ▶ Voltage: 240
- ▶ 3 meters long power cable

811800KH CO₂, pressure regulator with heater

NOTE: Can be modified by Harris to accept flow meters



811800KH



601R30L

Model 601

The 601 flow gauge regulator is designed for the home handyman user. Adjustment is 0-30 Lpm with value for money is a key factor.

Features include- Wt. 0.8kg

- ▶ Brass body & Bonnet
- ▶ Metal Case Gauges
- ▶ Complies with EN13918
- ▶ Harris manufactured to ISO 9002
- ▶ Special threads/sealing to reduce risk of leaks
- ▶ Fits E or D cylinders

601-FM Pre-set, 601 Vert Inlet reg with 30Lpm model 866 flowmeter

601FM-R Pre-set, 601 Rear Inlet suit side inlet and small cylinders 30Lpm flowmeter
No Photo

Model 801 Preset

Specifically engineered to perform reducing task prior to fitting of flowmeter. Includes safety relief valve to protect flowmeter.

801Z017 Argon, Pre-set, Side Inlet

801Z018 CO₂, Pre-set, Side Inlet

801Z019 Argon, Pre-set, Vert. Inlet

801Z020 Argon, Pre-set, Vert. Inlet + 86630L

801Z021 Argon, Pre-set, Vert. Inlet + 86615L

801Z022 Argon, Pre-set, Side Inlet + 86630L

801Z023 Argon, Pre-set, Side Inlet + 86615L

Model 866 Flowmeter

Evolved from our medical range into an industrial configuration, it's degree of accuracy and quality will bring enhanced measurement to any application.

Features include- Wt. 0.4kg

- ▶ Easy to read
- ▶ Virtually unbreakable outer tube
- ▶ UV Stabilize plastics
- ▶ Needle valve for smooth adjustments
- ▶ Inlet/outlet 5/8"
- ▶ Fits 801Z017, 801Z018 & 801Z019 or pipelines



86630L

801Z019

**Made
in
Europe**

86630L Flowmeter 0-30 LPM

86615L Flowmeter 0-15 LPM

Pressure Regulators



825EX1000X3



Model 825

In this Regulator you get extra strength, safety and large flows with excellent regulating characteristics. Combined with the latest in design, safety and quality.

Features Include- Wt. 1.8kg

- ▶ Rugged all metal construction
- ▶ Monel filter to improve life; easily changed
- ▶ Accurate - full cylinder pressure is controlled by the large 70mm diaphragm
- ▶ Large flows
- ▶ Safe, modern, proven seat design
- ▶ Large, easy to read colour coded gauges with safety seals
- ▶ Complies to AS 4267
- ▶ Built in burst relief
- ▶ Unique extra safety of the Snap Safe valve, built into inlet stem. Protects if a cylinder falls over. Applies to regs with an S in description



825Z064



825Z080



825ET8000X23

825EX150AC33	Acetylene 150K S Vert. Inlet
825Z016	Oxygen 400 K S Vert. Inlet
825EX10000X3	Oxygen 1000K S Vert. Inlet
825X10000X33	Oxygen 1000K S Side Inlet
825Z005	Propane 400 K S Side Inlet
825Z064	Oxygen 1500K Vert.Inlet
825Z070	Oxygen 1500K Side Inlet
825Z084	Nitrogen 1000K Side Inlet
825Z085	Nitrogen 1500K Side Inlet
825EX1000ARG	Argon 1000K S Vert. Inlet
825EA1000HE	Helium 1000K Vert. Inlet
825EA1000H30	Hydrogen 1000K Vert. Inlet
8251000CD206	CO2 1000K Side Inlet
825Z080	Nit 4000K SS diaphragm Side Inlet
825Z066	HP SS diaphragm 1000K Vert. Inlet
825Z112	HP SS diaphragm 1000K Side Inlet
825ET8000X23	Oxygen 800K Sav 'T' Lock V.I.
825TX400NII	*Nitrogen 400K Sav 'T' Lock V.I.
825DT400CDII	*CO2 400K Sav 'T' Lock
	*Internal self reseating safety relief valve

High Flow Pressure Regulators



H2515B



H251.5BAC

**Made
in
Europe**



H4740B

Model H25 (Cylinder)

In some applications there is a requirement for high flow, high pressure and high purity. This cylinder regulator offers unparalleled features at exceptional value for money. It suits applications which are specifically designed for high flow requirements for feeding industrial gas pipelines for plasma, and laser cutting systems.

For example, supplying Acetylene into a factory via a pipeline starts with having the right regulator at the manifold. At **Harris**, we set out to design and manufacture a regulator for exactly this purpose, which delivers large flow over a variety of pressures, even when cylinder pressure is low.

Features include -

- ▶ Conforms to EN ISO 2503
- ▶ Capsule valve, Stainless Steel filter
- ▶ Stainless Steel diaphragm (not Acetylene)
- ▶ Maximum inlet 300 bar
- ▶ Outlet pressure 1.5, 15 and 40 bar
- ▶ Heavy duty body machined from bar stock
- ▶ Large G. 1/2" or G. 3/8" outlet connection
- ▶ Side and vertical inlet connection
- ▶ External safety relief valve (not Acetylene)
- ▶ Flow over 700 m³/h (maximum)

H251.5AC-SE	150 kPa Side Inlet
H251.5BAC	150 kPa Vert. Inlet
H2515B	1500 kPa Side Inlet
H2540B	4000 kPa Side Inlet

- Note:**
- (1) Specify gas when ordering.
 - (2) Vertical inlet models are available on request.
 - (3) Outlet can be reduced from 1/2" npt to 1/4" npt on request

Model H47 (Pipeline)

This high flow regulator is designed for installation in a pipeline. The high flow and high purity levels are ideal for some laser and plasma applications, as well as other applications.

Features include -

- ▶ Maximum inlet of 60 bar/6000kpa
- ▶ Outlet pressure 10, 15, 25 and 40 bar
- ▶ Rear inlet connections
- ▶ Flow over 370 m³/h (maximum)
- ▶ Other features are the same as series H25

H4715B	15 bar 1500 kPa Rear Inlet
H4740B	40 bar 4000 kPa Rear Inlet

Flow Control Regulators



Innovation

Model 825 Sav 'T'Lock

This unique Cylinder Regulator is part of the **Sav T'Lock** range, and as such, has many **features and benefits** which are significant for the end user:

Features Include- Wt. 1.8kg

- ▶ Large diaphragm
- ▶ Large easy to read gauges
- ▶ Precise control of Gas used
- ▶ Set 'N' Forget
- ▶ Key lockable
- ▶ Reduces the amount of surging
- ▶ Based on the Model 25
- ▶ Complies to AS4267

Expect 25% gas savings

825ET30LAR21 Argon 0-30LPM Vertical Inlet

825T30LAR211 Argon 0-30LPM Side Inlet

825T30LCD111 CO2 0-30LPM Side Inlet

NOTE: Sold without keys; as you could have many regulators in a workshop and only 2 keys. Keys are under *Accessories*, Part No. A825ES Page 46

Model 847 Sav 'T'Lock Pipeline

An extension of the **Sav 'T'Lock** range - designed to operate in a pipeline application.

Features Include- Wt. 1.5kg

- ▶ Suitable for low pressure inlet (range 400-2500kPa)
- ▶ Outlet at 6 o'clock
- ▶ Large diaphragm
- ▶ Large easy to read gauges
- ▶ Control over amount of gas used
- ▶ Key lockable
- ▶ Reduces the amount of surging
- ▶ Burst relief built-in
- ▶ Easily handles pressure fluctuations
- ▶ Maintain constant work procedures
- ▶ Complies to AS4840-2001

YES!
We install pipeline systems

Expect 25% gas savings



847T30LAR237 Argon/CO2/Mixtures 0-30LPM

Note: Sold without keys; Keys are under *Accessories*, Part No. A825ES Page 46

Pipeline Regulators



Made in Europe

8471000X812

YES!
We install pipeline systems



OXYGEN
USE NO OIL OR GREASE
OPEN VALVES SLOWLY

Model 847

As Pipelines become more common in the work place, it is important that each outlet has a regulator specifically designed to handle the lower pressures (compared to cylinders) and also to supply a constant supply of gas through the outlet of the regulator. As many will agree, there is nothing worse than the power supply fluctuation while drilling. The same can be said for gas! Therefore you need a regulator to meet the conditions of a pipeline - the **Model 847**.

Features include - **Wt. 1.5kg**

- ▶ Brass Body
- ▶ High flow
- ▶ Precise flow regulation
- ▶ Large 70mm diaphragm
- ▶ Large, easy to read gauge in kPa
- ▶ Repair - simple, fast and easy
- ▶ Complies to AS4840-2001

*** NOTE:** a) 1/4" NPT female connection in rear
b) Can be fitted with adaptor to suit a point valve

- 847150AC797** Acetylene, 0-150kPa Rear Inlet
- 847400LP818** Propane/LPG/Nat. Gas 0-400kPa Rear Inlet
- 8471000X812** Oxygen, 0-1000kPa Rear Inlet
- 8471500X807** Oxygen, 0-1500kPa Rear Inlet

Pipeline Regulator Kit

This is a new concept which allows the purchase of a complete unit ready for installation. As Pipelines are becoming more popular (as a cost saving for industry), a Kit with the following features is required.

Features include - **Wt. 2.2kg**

- ▶ Model 847 Large flow regulator etc, See Above
- ▶ Large flow flash back arrestor
- ▶ Pipeline assembly purposely designed for the application and ease of installation
- ▶ Easy, visual notice of which ones are on/off
- ▶ Easy to turn off in emergency

- 8470607FBAAC** Acetylene, 0-150kPa Pipeline Kit
- 8470607FBAOX** Oxygen, 0-1000kPa Pipeline Kit
- 8470607FBAPR** Propane, 0-400kPa Pipeline Kit
- 8470607FBANA** Natural, 0-150kPa Gas Pipeline Kit

Note: Can be supplied on a backing board. New version of assembly not shown in photo.
Note: Fittings to suit existing /new piping can be fitted by Harris

Pipeline Regulators Cont.



8470607ARGON Argon/CO2 0-30LPM Pipeline Kit

0607ARGON Argon Pipeline Assembly
0607OXYGEN Oxygen Pipeline Assembly
0607ACET Acetylene Pipeline Assembly
0607PROPANE Propane Pipeline Assembly

84790LHLPG Model 847 - 90° Adaptor, Left Hand for Inlet, to suit point valves

84790RHOXY Model 847 - 90° Adaptor, Right Hand for Inlet, to suit point valves



Ideal system to ensure flowmeter within a pipeline is accurate and flow is consistent

601866-30L Reg with 1/2"bsp nipple and 30LPM flowmeter

601866-15L Reg with 1/2"bsp nipple and 15LPM flowmeter

601Z052 Mini Regulators to fit existing flowmeter/pipeline

Pressure Regulators



Made in Europe

Model 896 (Multistage Cylinder)

A cylinder regulator which has outstanding pressure/ flow characteristics, it has become a standard (worldwide) by which regulators are judged. Two regulators in one tough forged body, enables cylinder pressure to be reduced by up to 90% prior to entering second stage where the outlet pressure is set. Ideal for users requiring high accuracy; especially for quality welding, cutting, metal spraying and industrial laboratory use.

Features include - Wt. 2.4kg

- ▶ Accurate - two stages
- ▶ Reliable - proven design
- ▶ Tough - forged brass body
- ▶ Safe - built in relief devices
- ▶ Gauges - kPa
- ▶ Long lasting
- ▶ Complies to AS4267

896E150AC21 Acetylene 0-150K Vertical Inlet
896ED10000X1 Oxygen 0-1000K Vertical Inlet
896ED10000X2744 Oxygen 0-1000K Side Inlet
896ED1000ARG Argon 0-1000K Bottom Inlet

Pressure Regulators

Made
in
Europe

R
e
g
u
l
a
t
o
r
s

896ED1000HEL	Helium 0-1000K Vertical Inlet
896ED1000HYD	Hydrogen 0-1000K Vertical Inlet
896ED1500X3	Oxygen 0-1500K Vertical Inlet
896ED1500ARG	Argon 0-1500K Vertical Inlet
896ED1500NIT	Nitrogen 0-1500K Vertical Inlet
896ED1500HEL	Helium 0-1500K Vertical Inlet
896ED1500HYD	Hydrogen 0-1500K Vertical Inlet
896D1000NIT	Nitrogen 0-1000K Side Inlet
896D1500X12	Hydrogen 0-1500K Side Inlet
896D1500X39	Oxygen 0-1500K Side Inlet
896D1500ARG	Argon 0-1500K Side Inlet
896D1500NIT	Nitrogen 0-1500K Side Inlet
896EDS25000X	Oxygen 0-2500K Vertical Inlet

NOTE: Regulators can be made for most gases or mixtures/also to customer's specifications. Contact your local **Harris** distributor for details.

Model 996

This range of multistage regulators are suited for 300bar inlet pressure and will provide excellent pressure and flow characteristics from this high pressure inlet to a lower pressure application. Features include Stainless Steel diaphragm in both stages.

996D1000OX	Oxygen 0-1000Kpa Side Inlet
996D1000OX	Oxygen 0-1000Kpa Vertical Inlet

NOTE: Regulators can be made for most gases or mixtures/also to customer's specifications. Contact your local **Harris** distributor for details.



NEW

Spare parts are
available for all
products

15

Pressure Regulators Cont.



987Z078

Model 987

The Model 987 High Pressure Cylinder Regulator is designed specially for applications that require a range of delivery pressures from 0-10,000kPa and 0-17,000kPa accurately and safely. Available for all non-corrosive gases used in oil refineries, chemical plants, research laboratories, defence and general industry where high working pressures are required.

Suitable for hydro-generation, catalytic reductions, accelerated testing and pressure testing.

Features Include- Wt. 2.2kg

- ▶ High delivery range
- ▶ Stainless steel diaphragm for strength and accuracy
- ▶ Large easy to read gauges
- ▶ Brass bonnet & body - maximum safety, strength
- ▶ Sintered monel metal inlet filter to trap impurities
- ▶ Rated to 380 Bar for Inert Gases

- 987Z078 Nitrogen, Oxygen, 0-10,000kPa Side Inlet
- 987Z079 Nitrogen, Oxygen, 0-17,000kPa Side Inlet
- 3200326 Nitrogen, Self relieving, 21000kPa Side Inlet



Model HP750

The Model HP750 series regulator is a high pressure, high flow regulator system. The key to the performance of this regulator is the servo-dome load technology. The servo-dome load feature allows the regulator to supply high flow rates with straight line pressure regulation.

Applications include: Laser assist gases, Pressure transfer, Blanketing & High flow manifolds

- 3000869 0-7000kPa outlet and 38500kPa inlet (other specs are available on request)

Model 3500

This speciality designed Regulator provides huge flows from cylinders and manifold gas supply systems. (Oxygen max inlet 240 Bar)

Features include - Wt. 2.5kg

- ▶ Designed to operate on HP Cylinders of up to 385 bar
- ▶ Additional high capacity 3/8" NPT outlet
- ▶ Forged brass body and bonnet
- ▶ Self seating internal safety relief valve
- ▶ Meets CGA E-4 Standard for Gas Pressure Regulators



3500

- 3003541 Nitrogen 4200kPa (Ideal for motor racing)

Hospitality Regulators

Model 601



601Z005

Many regulators on the market are Oxygen regulators relabelled for Helium. Harris engineered this regulator for the specific task of balloon filling with Helium.

Helium is a very light gas that is expensive and has its own safety considerations. This regulator captures these issues and provides a better proposition for the user.

Features Include- Wt. 0.8kg

- ▶ Forged brass body and bonnet
- ▶ High pressure Helium capsule seat
- ▶ Internal safety devise on diaphragm
- ▶ Fixed pressure preset at 30 psi-kPa
- ▶ Spring loaded tilt valve (leak proof seal when off)

Model 601 Regulator

Designed for beer dispensing that does not require highflow e.g. Homebrew/Party hire. The application is often used in small rooms which can lead to a dangerous environment. Harris believed that reducing gas leaks was a major concern in the development of this regulator, and designed a regulator with special threads and safety seals.

Features include - Wt. 0.8kg

- ▶ Metal case gauges
- ▶ Made by Harris to ISO 9002
- ▶ Brass body & bonnet
- ▶ Smooth adjustment 0-400kPa
- ▶ Internal self reseating safety relief valve
- ▶ Special threads/seating to reduce risks of leaks



601Z017

Model 801

Our 801Z378 is designed with a special CO2 compatible capsule seat surrounded by a filter and is ideal for connecting to a cylinder, or as part of a regulator board.

Features include - Wt. 0.8kg

- ▶ Large easy to read gauge
- ▶ Complies to AS4267
- ▶ Harris engineering and quality
- ▶ Internal self reseating tamper proof SRV fitted
- ▶ Inlet & outlet 1/4" NPT female
- ▶ Preset 800kPa



801Z378

Hospitality Regulators



Model 802

Designed for CO₂ delivery for bars, pubs, wine bars and the servicing of beer or soft drink. It is also suitable for CO₂/Nit. mixtures, with a max inlet of 7000kPa.

Features include - Wt. 1.3kg

- ▶ Excellent flow
- ▶ Outlet 0-400kPa or 0-800kPa
- ▶ Forged brass body
- ▶ Standard **Harris** parts
- ▶ Safety relief with the ability to manually clean
- ▶ Outlet with special built-in ball type reverse flow valve, to avoid internal liquid contamination
- ▶ Safety pressure gauges calibrated in kPa with metal case
- ▶ Lock nut on pressure adjustment
- ▶ Inlet at 3 O'clock
- ▶ Ability to manifold up to three (3) regulators from one cylinder

802R400CD	Single CO ₂ Regulator (beer)
802R800CD	Single CO ₂ Regulator (post mix)
802R400CD/2	Two CO ₂ Regulators
802R800CD/2	Two CO ₂ Regulators
802R400CD/3	Three CO ₂ Regulators
38A957	Special Outlet Fitting Brass

Model 821

This model regulator has been developed with input from the Industry. Its features are excellent.

Features include- Wt. 1.3kg

- ▶ Proven capsule seat design
- ▶ Large 63mm, easy to read, safety back gauge with safety seal
- ▶ Internal, self reseating, tamper proof safety relief valve
- ▶ Smooth 0-400kPa adjustment
- ▶ Accurate regulation
- ▶ Easy to repair/Clean

821Z029 CO₂ 0-400kPa, rear inlet, capsule seat, two filters

821Z035 CO₂(T30 Inlet) 0-400kPa, rear inlet, capsule seat, twin gauge, two filters, cylinder regulator

821Z041 Nitrogen (T50 Inlet) 0-400kPa, rear inlet, capsule seat, twin gauge, two filters, cylinder regulator



**Made
in
Europe**

Hospitality Regulators



847DT400CD

Model 847

A very exciting product with many unique features. The performance of this regulator will provide an improved beer distribution system for the Hospitality Industry.

Features include - Wt. 1.5kg

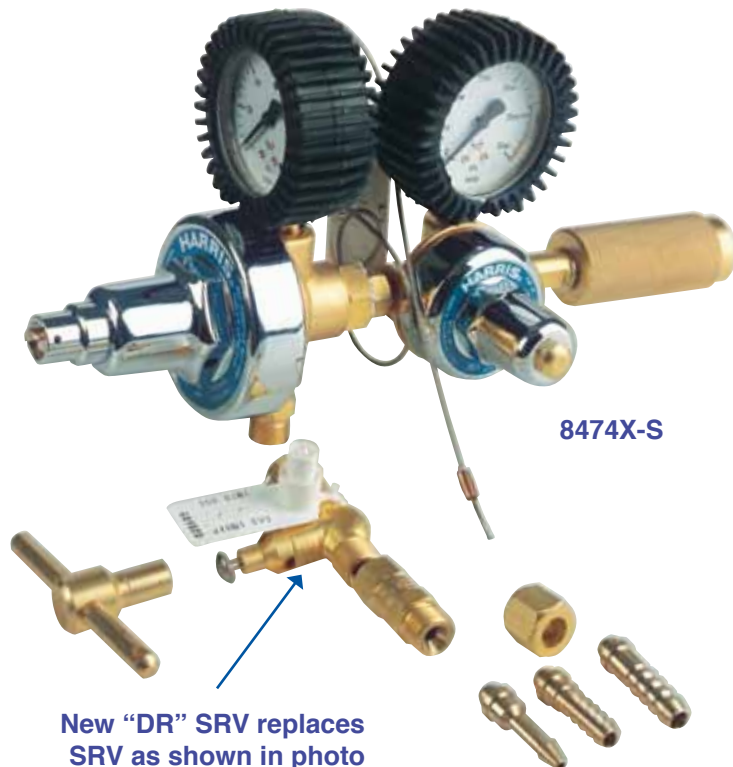
- ▶ Very large diaphragm
- ▶ Large flows; 32m³ hr, at 500kPa inlet
- ▶ Smooth accurate pressure adjustment
- ▶ Large 63mm dia., easy to read gauge
- ▶ Forged high quality brass body
- ▶ Suit C02 Pipeline or cylinder pressure **
- ▶ Built in, tamper proof, self reseating safety relief valve
- ▶ Sav T' Lock; adjustment by special Key (A825ES). This puts control back into the hands of the right person. *Set 'N' Forget!*
- ▶ Reduces surge when opening beer tap



A825ES

847DT400CD C02 Rear Inlet 0-00kpa

847DT800CD C02 Rear Inlet 0-800kpa



8474X-S

New "DR" SRV replaces SRV as shown in photo

Model 847

This multistage cylinder Regulator is ideal for high flow applications where constant pressure is also required.

Features include - Wt. 1.3kg

- ▶ Proven seat design
- ▶ Easy connection
- ▶ Complete package
- ▶ Large, easy to read gauges
- ▶ Anti-surge feature
- ▶ Complies to AS 4840, AS 4267 & AS 5034
- ▶ Fixing the wire to a wall prevents regulator falling and being damaged
- ▶ Includes safety relief valve protection
- ▶ Non return valve protection included

Hospitality Accessories

Hospitality



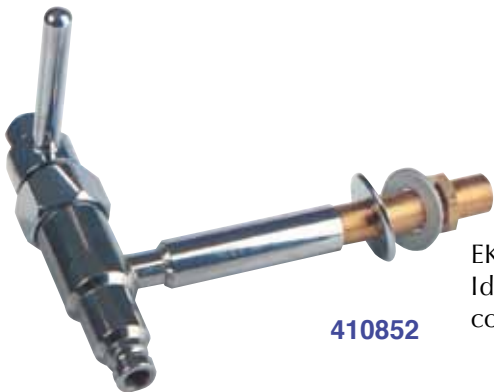
410851

Brumby tap with 4" extension. Ideal for fridge connection



C02-ASS-1.2

Quick fit hand wheel connection + HP NRV + High pressure anti kink/anti whip hose + CO2 connection



410852

EK tap with 3" extension. Ideal for fridge or bar connection



410855

Liquid beer line with fittings 2.5 Metres



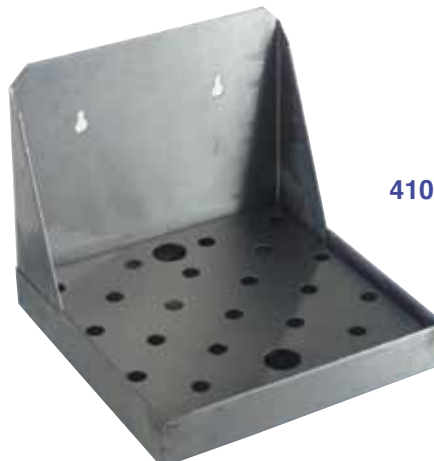
410853-Chrome
410853-SS

Beer gun tap available in Chrome or Stainless Steel. Ideal for portable systems



410856

CO2 gas hose with connections, 2 metres



410857

Splash back beer tray in Stainless Steel 15cm x 15cm

Medical

Model 801 Medical

A compact, single stage regulator, which delivers a high level of accuracy needed in this application. The features are world class and compliment other products in this range.

Features include - Wt. 1.3kg

- ▶ Pressure gauges are fully chromed, steel cased 53mm dia. easy to read and colour coded. A precision mechanism for accuracy, safety back, and a one-piece virtual unbreakable polycarbonate lens. This ensures maximum strength, quality and durability
- ▶ Inlet connection to suit Australian Standards. With a filter, in Yoke/Bullnose, plus another filter surrounding the capsule seat
- ▶ Outlet connection complies with Australian Standards AS 2472-1996
- ▶ Body machined from forged brass for maximum strength and durability
- ▶ Heavy chrome plating for sanitation and appearance
- ▶ Proven encapsulated seat design for maximum accuracy, reliability and longlife
- ▶ Self reseating external safety relief valve included
- ▶ Complies to AS 2472-1996, AS 3840.1-1998 ISO 9002, ISO 14001.



801Z259



801Z260

801Z258

Preset Nitrous Oxide with Yoke

801Z259

Preset Air reg with Yoke

801Z260

Preset Oxygen reg with Yoke



Y01870

Oxy Yoke

Y01910

Nitrous Oxide Yoke

Y01940

CO2 Yoke

Y01950

Air Yoke

Medical Flow

Medical Flowmeters

Harris Flowmeters feature an integrated one-piece design with well defined calibrations which accurately measure flow.

Features include - Wt. 0.4kg

- ▶ Precision engineered
- ▶ Pressure compensated design accurately measures flow
- ▶ Soft seating valve to ensure on/off function
- ▶ Easy to read
- ▶ Scratch resistant
- ▶ Virtually unbreakable transparent cover tube
- ▶ Handwheel grip is designed to be easily operated with gloves
- ▶ Colour coded handwheel
- ▶ Complies to AS 3840.1-1998



86615LOX

86615LOX Oxygen flowmeter 0-15LPM

86515LAIR Air flowmeter 0-15LPM

Model 1500

The model 1500 is an oxygen regulator designed for the home healthcare, hospital and pediatric application.

Features include - Wt. 360grams

- ▶ Lightweight aluminium body with brass internal components
- ▶ Precise dial-in flow control
- ▶ Permanent laser etch markings
- ▶ Sintered inlet filter for safety and regulator life
- ▶ Barb outlet
- ▶ 1.4" diameter gauge with protective boot
- ▶ Conforms to CGA E8 and ASTM G175

3500339 0-8LPM with Yoke inlet and Barb outlet
ranges: .5, 1, 1.5, 2, 2.5, 3, 4, 5, 6, 8

3500340 0-8LPM with Bull Nose and Barb outlet ranges as above

3500343 0-15LPM with Yoke inlet and Barb outlet
ranges: .5, 1, 1.5, 2, 3, 4, 6, 8, 10, 15

3500347 0-1LPM Pediatric Yoke inlet and Barb outlet
ranges: 1/32, 1/16, 1/8, 1/4, 3/8, 1/2, 5/8, 3/5, 7/8, 1

4309618 Electronic oxygen conserving device which saves gas (up to 7:1 ratio) by not delivering during the latter part of inhalation. No photo available at time of printing

4309619 Single Lumen tubing

4309633 Supply tubing, 7ft



**Made
in
USA**

Hand Cutting Torches



142033

**Made
in
Europe**

Model 142

A traditional one piece cutting torch that has become an industry standard. Be aware of low quality copies that don't comply to ISO standards, ask for **Harris original**.

Features include- Wt. 1.9kg

- ▶ Top mounted stainless steel cutting lever with hold-down button
- ▶ Solid brass head/body/handle
- ▶ Ease on for heavy cuts/piercing
- ▶ Universal pressure mixing, fuel gas 1.5kPa
- ▶ Well balanced
- ▶ Accepts flat seating tips, reducing head popping
- ▶ Complete with flash-guards

142033 1 pce Hand Cutt Torch
Propane, LPG, Natural Gas
Cuts up to 200mm
Ideal - Engineering shops,
Mines, Maintenance shops
Includes Flashguards

Z142037 1 pce Hand Cutt Torch **Acet**
Cuts up to 200mm
Ideal - Engineering shops, Mines,
Maintenance shops
Includes Flashguards

Z142038 Our popular 142 Torch with the
head manufactured to suit
tapered seating tips. Suitable for
any fuel gas
Note: Not universal mixing



Z142038

- NOTE:**
- 1) All Propane Torches 624FL & 142F also operate on L.P.G. and Natural Gas.
 - 2) With Propane Torches, Heating Tips up to Size 3 (H623P) can be screwed onto a Torch. Meaning you can cut, gouge and heat just by changing the Tip.
 - 3) All Torches are fitted with Flashguards to enhance safety and add value.

Note: Harris type 41 and 44 tips are available refer price list.

Hand Cutting Torches

C
u
t
T
o
r
c
h



062Z084

**Made
in
Europe**

Model 625

Features include- Wt. 1.5kg

- ▶ Finger control stainless steel cutting lever
- ▶ Solid brass head/body/handle
- ▶ Well balanced for easy piercing/heavy cutting
- ▶ Universal pressure mixing, fuel gas 1.5kPa
- ▶ Accepts flat seating tips - reduces head popping.
- ▶ Complete with flashguards
- ▶ Ease on cutting Oxygen makes piercing/starting easier

062Z019 1 pce Hand Cutt Torch Acet
Cuts up to 300mm
Ideal - Engineering shops
Includes Flashguards

062Z084 1 pce Hand Cutt Torch Propane,
LPG, Natural Gas
Cuts up to 300mm
Ideal - Engineering shops,
Scrap cutting
Includes Flashguards

062Z088 1 pce Hand Cutt Torch Propane
Cuts up to 300mm - **90° Head**
1000mm length
Ideal - Cutting in hard to
reach places, Scrap cutting
Includes Flashguards **Wt. 1.9kg**

062Z066 1 pce Hand Cutt Torch Propane
Cuts up to 300mm - **180° Head**
1000mm length
Ideal - Where there is a need
for the tip to be straight out of the torch.
Includes Flashguards **Wt. 1.9kg**

062Z106 **90° Head** x 1250mm

062Z107 **90° Head** x 1500mm

062Z109 **90° Head** x 2000mm

This torch is designed to aid an operator cutting "out of position". The under-hung lever allows an operator to easily hold the torch and operate the cutting process.

No tired thumbs!

Machine Cutting Torches



Z198028



Z198050



Oxy/Propane/LPG/Natural Gas

The **Harris** range of machine cutting torches offers the ultimate in gas mixing, performance, ease of adjustment and safety desired by the profile industry. Various diameters, lengths etc. are available to allow low cost updating/retrofitting of machines. For further advise or training contact **Harris**.

Torches are available in the following lengths; 65/110/250/460mm. Most are supplied with individual valves (per gas) and are in diameters of 30/32/35.

2 hose design torches are available to suit straight line cutting machines refer to Harris for details.

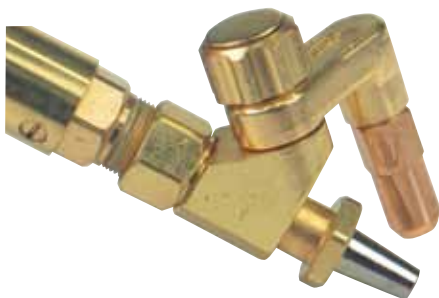
A special torch has been designed to fit the square barrel of some profile machines. Refer to picture Z198028

- NOTE:**
- 1) All Torches are three tube design; needed for high speed Tips.
 - 2) Torch length can be altered. Charges apply.
 - 3) Check **Harris** stock holdings before ordering.
 - 4) Refer to Harris Price List for Part No, description and size

Machine Cutting Accessories

Model BV-98-2

Bevelling Head
Increases speed of quality bevel cuts. Preheat tip swivels for either left or right travel. Equipped with 1390-3H heating tip. Use with natural gas or propane (cutting tip not included)



Model S-98-C

Adjustable Tip Adaptor
Adjust tip to any angle without moving the torches (cutting tip not included).



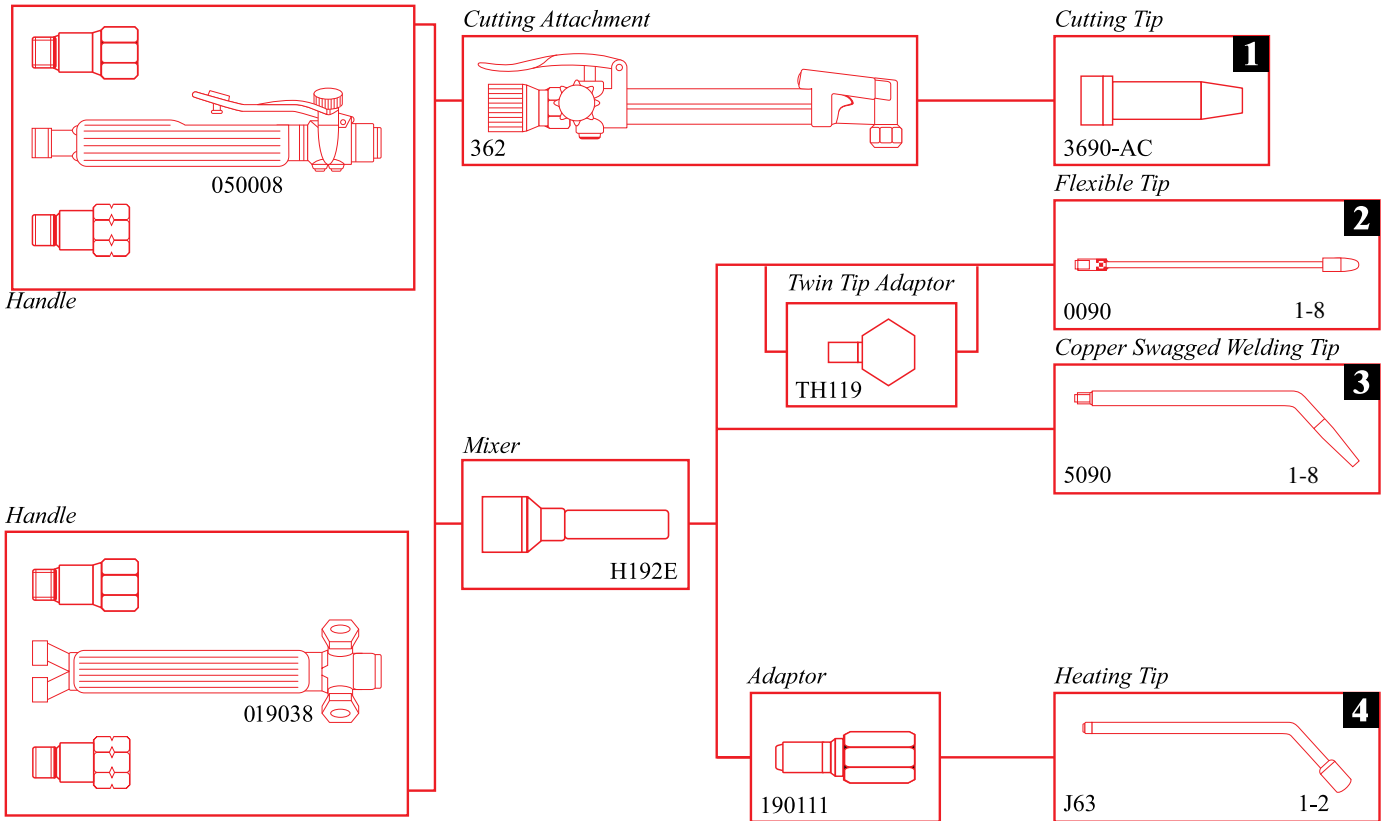
Model TH-98

Adjustable Twin Tip Holder
For making two cuts simultaneously with one torch. Adjusts from 1 1/2" to 12" width.



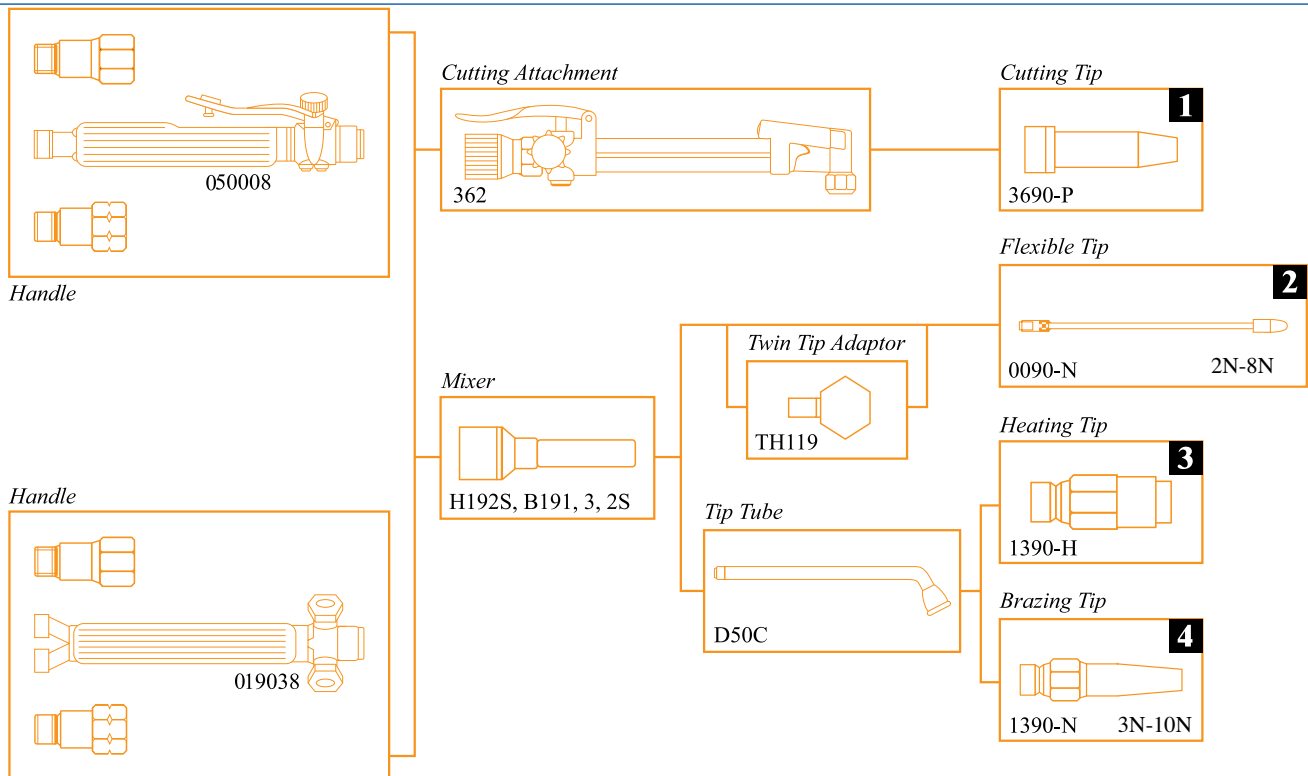
Contractors Equipment - Oxy Acetylene

Schematic



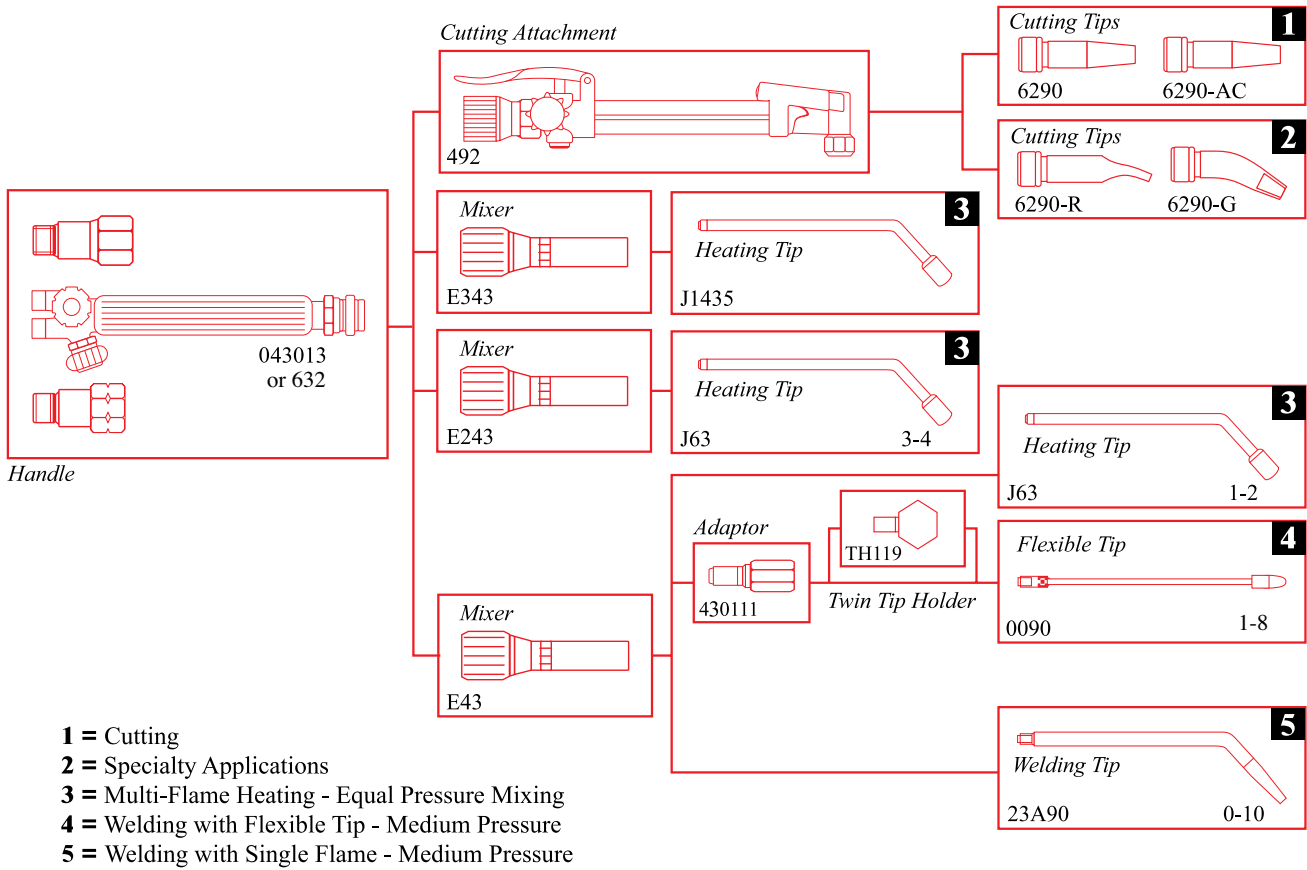
1 = Cutting **2** = Welding with Flexible Tip - Medium Pressure **3** = Welding with Single Flame - Medium Pressure
4 = Multi-Flame Heating - Medium Pressure

Contractors Equipment - Oxy Propane

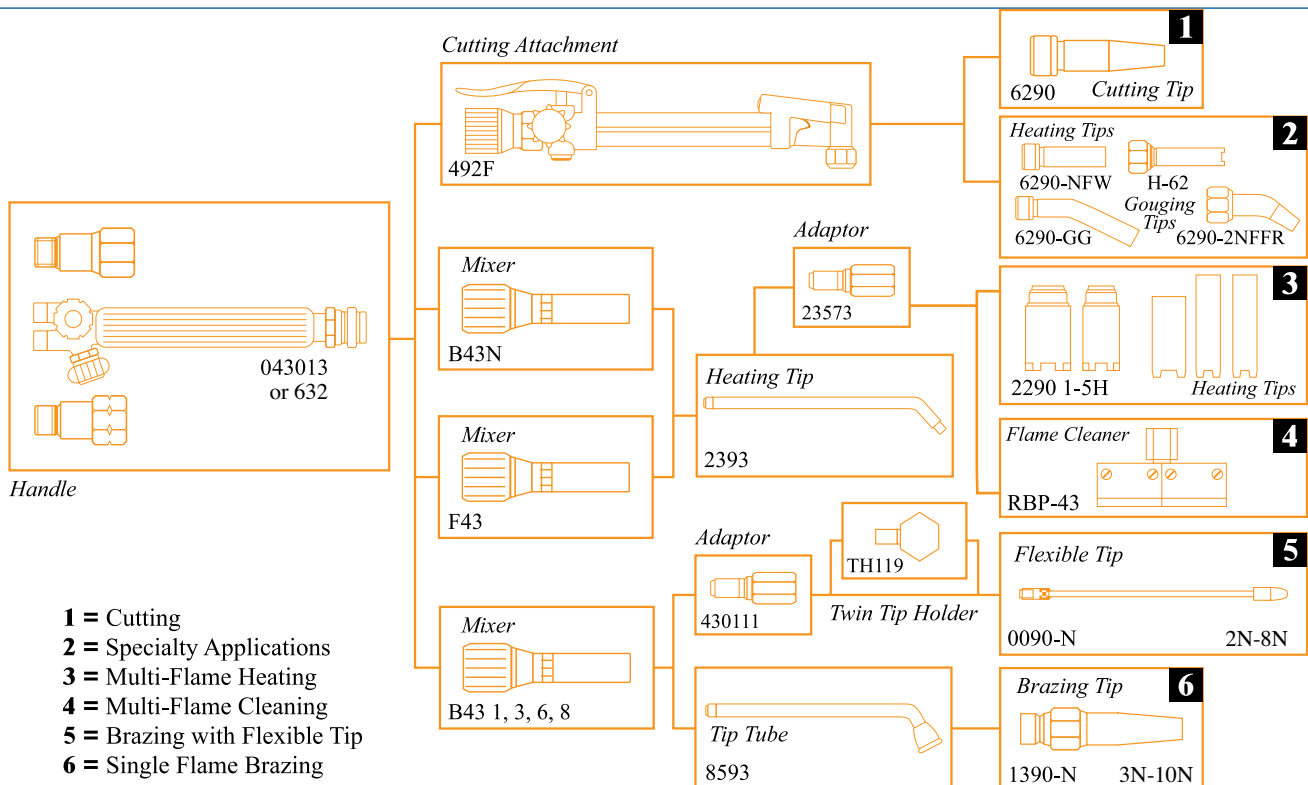


1 = Cutting **2** = Brazing with Flexible Tip **3** = Multi-Flame Heating **4** = Single Flame Brazing

Professional Equipment - Oxy Acetylene



Professional Equipment - Oxy Propane



Straight Line Cutting Machine

C
u
t
t
M
a
c
h
i
n
e

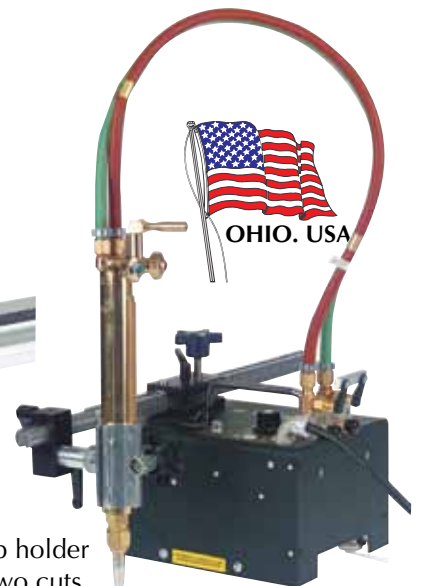
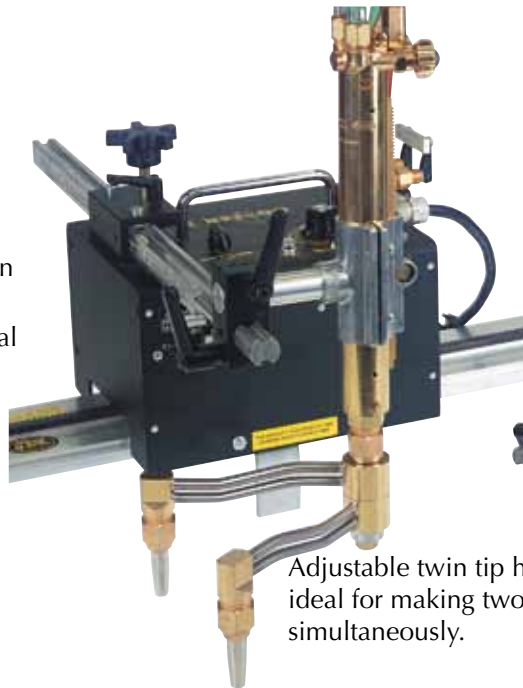
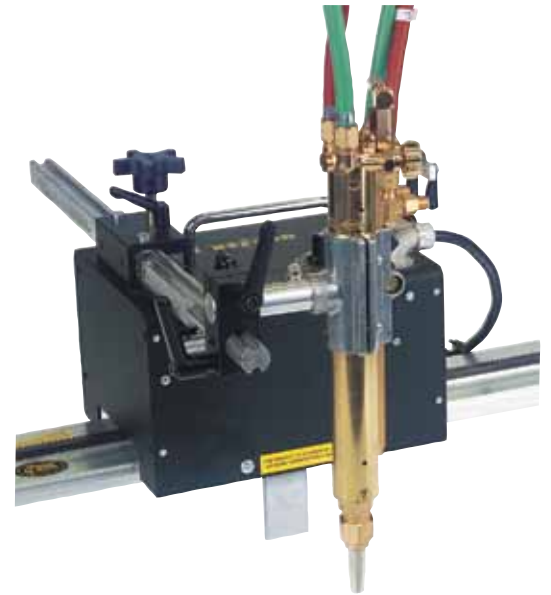
The Harris straight line can be used for flame and plasma cutting. Included with every machine is a quick acting manifold which eliminates the need to reset the torch when flame cutting. The machine is compact, lightweight and has a convenient carry handle. The Harris cutting torch and tip is renowned for smooth and fast cutting.

Features include -

- ▶ Positive rack and pinion drive
- ▶ Wide speed range (127-2540mm/min)
- ▶ Dynamic brake
- ▶ Convenient carry handle
- ▶ Harris torch and tip
- ▶ Twin cutter
- ▶ Manifold
- ▶ Heavy duty rail (8')
- ▶ Quick set up

Technical Data

- ▶ Power requirements 240v
- ▶ Speed variable 127-2540mm/min
- ▶ Load capacity (6.8kg) Vertical
(27.3kg) Horizontal
- ▶ Magnet holding capacity
(68kg) per assembly
- ▶ Tool Kit



Adjustable twin tip holder ideal for making two cuts simultaneously.

**Made
in
Europe**

**Other types/models
are available contact
Harris**



On/Off magnets for easy set up and positive positioning on magnetic material i.e. steel.

Cutting Attachments



Model 362 LIGHT/MEDIUM DUTY

A well designed robust attachment with outstanding cutting capacity of 75mm. Sets the standard for smaller torch use.

Features include- Wt. 0.4kg

- ▶ Head/body in solid forged brass
- ▶ Triangular stainless steel gas tubes for maximum strength and safety
- ▶ Equal pressure mixing
- ▶ Solid brass lever with stainless steel plunger
- ▶ Unique tapered 'O' ring sealing for safety
- ▶ Suits all gases

362 Contractors Cutt Att. Acetylene/Propane. To suit Harris Handle 019038

Note: Tip nut is 9008437

AVAILABLE
IN POP
HANG
SELL



Model 733/493F HEAVY DUTY

A truly professional cutting attachment suited for the toughest workshop conditions. Its many features are unmatched by other manufacturers.

Features include- Wt. 0.8kg

- ▶ Triangular stainless steel gas tubes for maximum strength, safety and operator comfort
- ▶ Tapered 'O' ring sealing for longlife/safety
- ▶ Accessible injector allows simple change - over to other gases
- ▶ Cuts to 150mm
- ▶ Accepts flat seating tips, greatly reducing head popping
- ▶ Positive pressure mixing. Fuel gas 40kPa (733)
- ▶ Universal pressure mixing. Fuel gas 1.5kPa (493F)
- ▶ Head, lever, body solid brass for long life
- ▶ Ease-on built in for better starts and piercing

493F Professional Cutt Att. Propane, LPG, Natural Gas to suit Harris original Handle 632, 043013

Note: Tip nut to suit both is 6259B

733 Part of the classic series, medium pressure Acetylene cutting attachment. The tough solid construction surpasses others in the market. Cuts to 100mm.

Made
in
Europe

Spare parts are
available for all
products

Cutting Attachments



**Made
in
Europe**

I492FHC

Follows the design of the professional (493F) cutting attachment specs, and is made to be **compatible** with other brands. The compatible range is easily identified. The tightening sleeve is machined differently to the 493F (refer P29).

Features include- Wt. 0.8kg

- ▶ Triangular stainless steel gas tubes for maximum strength and safety
- ▶ Slide 'O' ring sealing makes it compatible
- ▶ Accessible injector allows simple change over to other gases.
- ▶ Accepts flat seating tips, greatly reducing head popping.
- ▶ Built in safety plug in head
- ▶ Universal mixing for maximum economy, fuel gas 1.5kPa
- ▶ Head, lever, body solid brass construction for long life
- ▶ Cuts to 150mm.
- ▶ Ease-on built in for better starts and piercing

I492FHC * Professional Cutt Att. Propane, LPG, Natural Gas to suit **Harris** "Compatible" Handle and other manufacturers.

I492HC * Professional Cutt Att. **Acetylene**, to suit **Harris** Handle (I432HC). Fits most makes of Handles."Compatible"

6259B Tip nut

**AVAILABLE
IN POP
HANG
SELL**



**Simply
the Best**

733HC

The **733HC** is an expansion of the above Professional range and is considered the toughest in the market:

Features include- Wt. 0.8kg

- ▶ Triangular stainless steel gas tubes
- ▶ Solid brass head
- ▶ **Accepts standard taper seating tips**
- ▶ Solid brass body
- ▶ Solid brass lever
- ▶ One mixer for all fuel gases
- ▶ Compatible with other manufacturers
- ▶ Made in Europe
- ▶ Ease-on built in for better starts and piercing

9005218 Tip nut to suit

Note: Harris type 41 and 44 tips are available refer price list.

Handles



019038

**Made
in
Europe**

Model 19-6

This lightweight, all metal handle is ideal for the handyman, plumber, panel beater and the like.

Features include- Wt. 0.8kg

- ▶ Front mounted valves for fast flame adjustment with the ability to change flame one handed, by using thumb
- ▶ Two separate stainless steel gas tubes
- ▶ Front/rear pieces of forged brass
- ▶ Good flow for lightweight handle
- ▶ Complete with flashguards

Model 50-10

The **Harris** automatic torch handles feature a unique gas control to reduce operating costs and improve safety and convenience. The thumb operated on/off gas control and adjustable pilot light eliminate relighting and flame readjustment each time the torch is used. An alternative set-up is the on/off feature which enables the torch to function as a dead man switch, a fantastic safety feature for the operator. Ideal for brazing with Oxy-LPG gas.

Features include- Wt. 0.4kg

- ▶ Automatic on/off gas control
- ▶ Adjustable pilot light
- ▶ Can be set-up with a deadman switch
- ▶ High or low flame flick of a lever
- ▶ Complete with flashguards



050008

**AVAILABLE
IN POP
HANG
SELL**

Model 43-2

Professional handle with **Harris original** stainless steel head, supplying extra high flow required for large heating applications. Its toughness and design will add another dimension to safety in the workshop.

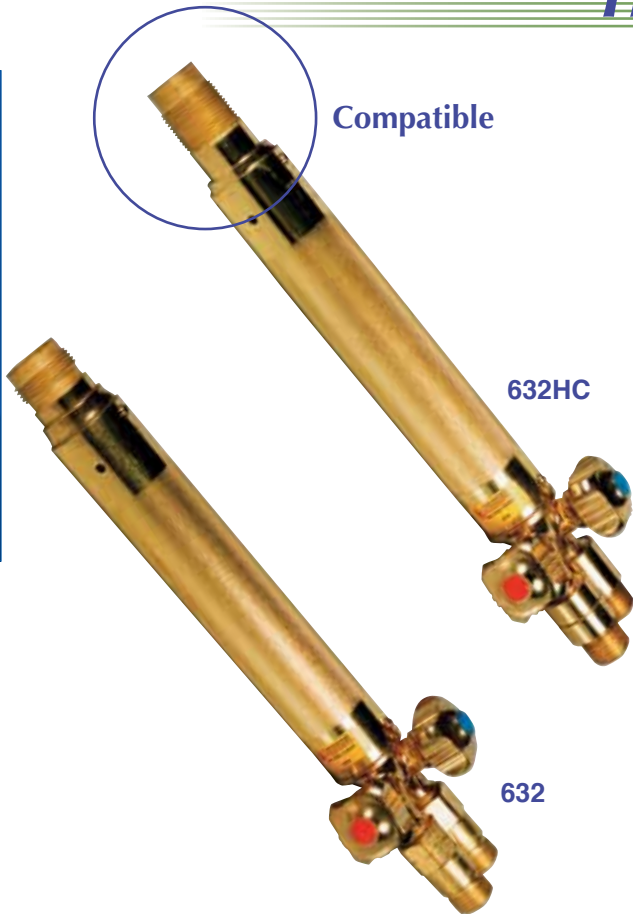
Features include- Wt. 0.7kg

- ▶ Tough extruded brass handle
- ▶ Tube within a tube for high flow
- ▶ Stainless steel connector for long life
- ▶ No screws or soldered joints for easy maintenance
- ▶ Unique tapered 'O' ring sealing for extra safety
- ▶ Large flow valves
- ▶ Stainless steel ball valves
- ▶ Flashguards included
- ▶ Designed for right or left hand use
- ▶ Fuel gas valve easily reached for emergency shut down



043013

Handles



Model 632

This Classic series 632 Handle is designed for normal workshop use. It operates heating tips up to a size 3, which will suit most applications. The handle comes in two Configurations - **Compatible**
- **Harris Original**

Features include- Wt. 1.0kg

- ▶ Tough extruded brass handle
- ▶ Brass connector
- ▶ Slide 'O' ring fitment (compatible 632HC)
- ▶ Tapered 'O' ring seal (original 632)
- ▶ S.S. ball valves
- ▶ Flashguards included
- ▶ Comfortable
- ▶ Made for right hand or left hand use
- ▶ Fuel gas valve easily accessible in the event of a flashback

AVAILABLE
IN POP
HANG
SELL

Made
in
Europe



Acetylene Mixers

Mixing the gas is very important to the flame. **Harris** is proud of its range and the many uses, via tips and adaptors, that are available. **Note:** The mixers and tip thread, only accept **Harris** tips, which are designed to give the best in gas sealing and safety.

- H192E** Precision Equal Pressure Acetylene Mixer for 5090, 1390, 0090 Tips & J63 2 Heating Tip
- E43** Professional Equal Pressure Acetylene Mixer for 23A90 0-10, 1390 0-10, 0090 1,3,5,6,8 Tips and J63 2 Heating Tip
- E43HC** Professional Equal Pressure Acetylene Mixer for 23A90 0-10, 1390 0-10, 0090 1,3,5,6,8 Tips and J63 2 Heating Tip. Compatible range fits most brands of Handles.
- E243** Professional Equal Pressure Acetylene Mixer for 23A90 13, 15 & J633/J634 Heating Tips
- E343** Professional Equal Pressure Acetylene Mixer for J143-5 Heating Tip

Propane Mixers

Accurate mixing is vital for a good flame with these fuel gases. If possible, use the mixer for the tip range to achieve the best flame characteristics. The **Harris** range is truly world class and will open up applications for the end user, making for an easier, safer workplace.

AVAILABLE
IN POP
HANG
SELL



Made
in
Europe

Propane, LPG, Natural Gas

- H192S** Precision Universal Pressure Mixer for 1390N, 1390 H, 0090 Tips*
- B191** Precision Universal Pressure Mixer for 1390 00N-2N, 0090 2N Tips. Gives precise mixing, and better flame for these Tip sizes*
- B193** Precision Universal Pressure Mixer for 1390 4N-10N, 1390 H, 4N,6N,8N. Gives precise mixing and better flame for these Tip sizes*
- B433** Professional Universal Pressure Mixer for 1390 00-3N, 0090 2N Gives Precise mixing, and better flame*
- B435** Professional Universal Pressure Mixer for 1390 4N-7N, 0090 4N, 6N. Gives precise mixing, and better flame*
- B438** Professional Universal Pressure Mixer for 1390 8N-10N
- NOTE:** Use B435 as a general purpose mixer, all sizes. Flame mixing not as precise as the correct size matched with tip. * See above - will still operate on other sizes.
- B43N** Professional Universal Pressure Mixer for Oxy/Natural Gas, using large volume 2290 1H-3H Oxy/Propane Tips. Fits 043013, 632
- F43** Professional Mixer for heating, using large volume 2290 1H-5H Propane Tips. Fits 043013, 632

Cutting Tips



Oxy/Acetylene

These two piece tips are very popular. Their flame characteristics, plus the ease of cleaning, make them ideal for Plumbers, Panel Beaters and other Contractors.

To suit 362 Cutting Att.

	Size	Precision Series
3690	00AC	Cuts 0-6mm Steel
3690	OAC	Cuts 6-13mm Steel
3690	1AC	Cuts 13-25mm Steel
3690	2AC	Cuts 25-75mm Steel

AVAILABLE
IN POP
HANG
SELL



Oxy/Acetylene

This Professional tip offers exceptionally quick starting for the operator. Combined with the ability to pull apart for cleaning. The flat seating allows easy reseating on-site with a rub with wet/dry - **a very unique product.** This flat seating tip greatly reduces the occurrence of tip popping. Precise gas flutes control the amount of gas being used.

Made
in
Europe



To suit 492 Cutt.Att., 142 & 624L Torches

	Size	Professional Series
6290	000	Cuts 0-5mm Steel (One pce copper)
	00AC	Cuts 5-10mm Steel
	0AC	Cuts 10-15mm Steel
	1AC	Cuts 15-25mm Steel
	2AC	Cuts 25-50mm Steel
	3AC	Cuts 50-100mm Steel
	4AC	Cuts 100-175mm Steel
	5AC	Cuts 175-250mm Steel
	6AC	Cuts 250-300mm Steel

NOTE: Standard 5mm Hose does limit good cutting to 100mm. For thicker steel, use larger diameter Hose.

Cutting Tips

Oxy/Propane/LPG/Natural Gas

Opens up avenues for the Contractor who is using LPG/Propane as his fuel gas. A high performance product, which will give quick starts and quality cutting.

To suit 362 Cutting Attachment



	Size	Precision
3690	00P	Cuts 0-6mm Steel
3690	0P	Cuts 6-13mm Steel
3690	1P	Cuts 13-25mm Steel
3690	2P	Cuts 25-75mm Steel

AVAILABLE
IN POP
HANG
SELL

Professional Oxy/Propane/LPG

The design of these Tips is superb and adds a new dimension to cutting, using Oxy/ LPG, Propane, Natural Gas. Develops very **quick starts** and also **precise control** over the amount of gas used. Every Tip is flame is tested before leaving the factory.

To suit 1492FHC, 492F Cutt. Att., 142F & 624FL.



Size Professional

000NX	Cuts 0- 5mm Steel
00NX	Cuts 5-10mm Steel
0NX	Cuts 10-15mm Steel
1NX	Cuts 15-25mm Steel
2NX	Cuts 25-50mm Steel
3NX	Cuts 50-75mm Steel
4NX	Cuts 75-150mm Steel
5NX	Cuts 150-200mm Steel
6NX	Cuts 200-300mm Steel

Made
in
Europe

Professional Oxy/Natural Gas

NFF Cutting tips specially designed for Natural gas use. Providing extra heat in the start up process.

1NFF	15-25mm
2NFF	25-50mm
3NFF	50-75mm
4NFF	75-150mm
5NFF	150-200mm
6NFF	200-300mm

Heating Tips

Oxy/Acetylene

Heating with Oxy /Acet is used in industry in many different applications. When using the J633 and above, that procedures and methods become critical. Contact **Harris** for advise.

We believe our heating tips are the hottest in the industry.

Size

J63	2	Multi Flame Heating
J63	3	Multi Flame Heating
J63	4	Multi Flame Heating
J143	5	Multi Flame Heating



J633

Made in Europe

- NOTE:**
- 1) Tip is silver soldered to stainless steel Tip Tube. Comes as a complete item (J633 & J634, J1435).
 - 2) Size 2 (copper) suits E43 Mixers.
 - 3) Sizes 3 & 4 (as shown in photo) suit E243 Mixer only.
 - 4) J632 can be fitted to H192E Mixer by using 190111 Adaptor.
 - 5) J633,4 will cause some problems with 5mm hose - (restricts flow). Suggest 8/10mm hose and manifold Acetylene cylinders.
 - 6) J1435 requires 10mm Hose and manifold Acetylene cylinders.

Professional Oxy/Propane

The shape, performance, and characteristics of the flame are effected/controlled in some way by the tip. Harris tips are designed and manufactured to give the very best flame. Our quality is assured, as every tip is flame tested.

Size

2290	1H	Multi Flame Oxy/Propane Heating Tip
2290	2H	Multi Flame Oxy/Propane Heating Tip
2290	3H	Multi Flame Oxy/Propane Heating Tip
2290	4H	Multi Flame Oxy/Propane Heating Tip
2290	5H	Multi Flame Oxy/Propane Heating Tip



- NOTE:**
- 1) Tip Tube 2393 is needed, as well as the correct Mixer - F43 Propane/LPG, B43N Natural Gas.
 - 2) Standard 5mm Hose limits size to 2290 1H, 2H, 3H.
 - 3) Enormous heat is available with the above range of Tips.

Size

H62	1P	Heating Tip
H62	2P	Heating Tip
H62	3P	Heating Tip

NOTE: 1) Can attach to Professional Cutt Att. and Hand Cutting Torches.



- 23573 Nipple - Use with 2393 Tip Tube before fitting heating Tip for protection of the threads
- 23579 Adapts 2290 Heating Tips to Competitors S/S Tip Tubes

Tip Tubes



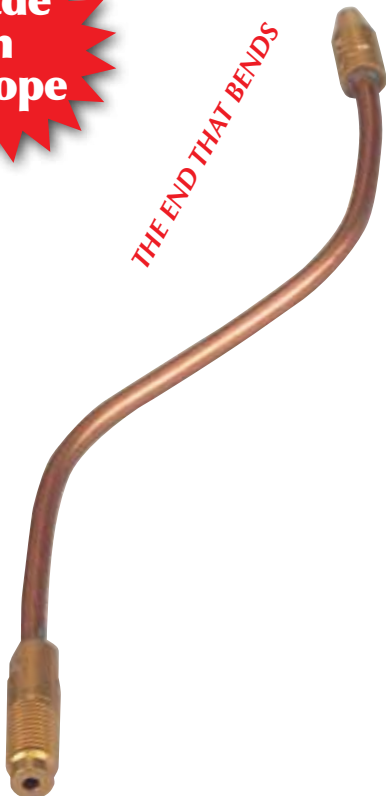
Range, gas sealing and construction help to make these products an ideal addition to the safe use of gas equipment.

D50C	Designed for Precision Handle Fits H192E, H192S, B191, B193 Mixers plus 1390 Tips.
8593	Designed for Professional Fits E43, E43HC, B433, B436, B438 Mixers plus 1390 Tips.
23932F	Stainless Steel - 710mm
23933F	Stainless Steel - 380mm
23935F	Stainless Steel Straight 1040mm
NOTE:	23933F is the most popular size.

Welding, Brazing Tips



THE END THAT BENDS



Oxygen Acetylene

		<i>Size Precision or Professional</i>	
0090	1		Flexible Welding/Brazing
0090	3		Flexible Welding/Brazing
0090	5		Flexible Welding/Brazing
0090	6		Flexible Welding/Brazing
0090	8		Flexible Welding/Brazing

NOTE: To suit H192E Mixer. Precision Series. Adaptor 430111 needed for E43, E43HC Mixers, Professional Series.

Welding, Brazing Tips



The size of the thread is the main difference between the 5090 and 23A90 series



Size	Precision
5090 1	Copper Swaged Welding/Brazing
5090 3	Copper Swaged Welding/Brazing
5090 5	Copper Swaged Welding/Brazing
5090 6	Copper Swaged Welding/Brazing
5090 8	Copper Swaged Welding/Brazing

- NOTE:** 1) To suit H192E Mixer. Part of Precision Series.
 2) Common sizes shown. Smaller sizes are available starting at 00 (ie Jewellery use).
 3) Precision is also known as Craftsman/Contractors when in kit form.

Size	Classic/Professional
23A90 1	Copper Swaged Welding/Brazing
23A90 3	Copper Swaged Welding/Brazing
23A90 5	Copper Swaged Welding/Brazing
23A90 6	Copper Swaged Welding/Brazing
23A90 8	Copper Swaged Welding/Brazing
23A90 10	Copper Swaged Welding/Brazing

- NOTE:** 1) To suit E43, E43HC Mixers. Part of Professional Series.
 2) Shown are the most popular sizes. Other sizes (up to 23A90 15) are available on request and subject to stock holdings.

Brazing Heating Tips

THE END THAT BENDS



Brazing, Heating Tips

Oxygen/*Propane/LPG/Natural Gas*

The shape, performance and characteristics of the flame are affected/controlled in some way by the tip. **Harris** tips are designed and manufactured to give the very best flame with every tip flame tested to ensure quality and consistency.

	Size	Precision or Professional
0090	2N	Flexible Brazing Tip
0090	4N	Flexible Brazing Tip
0090	6N	Flexible Brazing Tip
0090	8N	Flexible Brazing Tip
TH119		Twin Tip Holder - Ideal for 0090 Flexible

NOTE: To suit H192S, B191, B193 Mixer
Adaptor 430111 needed to suit B433, B436, B438 Mixer

	Size	Precision or Professional
1390	3N	Screw-in Brazing
1390	5N	Screw-in Brazing
1390	6N	Screw-in Brazing
1390	8N	Screw-in Brazing
1390	10N	Screw-in Brazing



Gouging Tips



OXY/ACET

This range of Gouging Tips gives the end user terrific scope for repair or weld preparation. The quick starting and speed is a real feature of the design. It is often said

"The better the flame the better and easier the job".
Never truer than with these tips.

Oxy/Acetylene

To suit 492 Cutt. Att., 142& 623 Torches

Size	Precision or Professional
1G	Gouging 3 x 6mm
2G	Gouging 5 x 10mm
3G	Gouging 6 x 13mm



OXY/LPG

Oxy/Propane/LPG/Natural Gas

To suit 1492FHC, 492F Cutt. Att., 142& 623FLTorches

Size	Precision or Professional
1GG	Gouging 3 x 6mm
2GG	Gouging 5 x 10mm
3GG	Gouging 6 x 13mm



Super Hi speed M. C. Tips Acetylene

Hi speed Acetylene machine cutting tips specifically designed to enhance profile cutting with Acetylene. Flat seating for less tip popping and ease of re-seating.

Cutting steel quickly is the aim in profile cutting. The quality of the flame is a major factor in the process. Harris engineers spend considerable energy in perfecting flame shape, resulting in higher speeds, quality cutting and reduced gas costs.



VAX

Size

1VAX	Acetylene Hi-Speed Cuts 0 - 8mm
2VAX	Acetylene Hi-Speed Cuts 8 - 15mm
3VAX	Acetylene Hi-Speed Cuts 15 - 35mm
4VAX	Acetylene Hi-Speed Cuts 35 - 75mm
5VAX	Acetylene Hi-Speed Cuts 75 - 150mm
6VAX	Acetylene Hi-Speed Cuts 150 - 200mm

Super Hi speed M. C. Tips



**Made
in
Europe**

TRAINING

Harris can conduct a professional, structured, profile cutting training course which will improve

- ▶ **Quality**
- ▶ **Increase Speed**
- ▶ **Lower Operation Costs**
- ▶ **Increase Staff Morale**

For further details contact your "local"
Harris Distributor

Propane, LPG, Natural Gas

The **Harris** tip has become accepted world wide as "The Tip" for profile machine cutting. Flame shape, gas consumption, flame consistency and flat seating make this range an ideal choice for any business.

Size

5/0VVC	Hi-Speed Cuts	0 - 4mm
4/0VVC	Hi-Speed Cuts	4 - 6mm
3/0VVC	Hi-Speed Cuts	6 - 9mm
2/0VVC	Hi-Speed Cuts	9 - 12.5mm

NOTE: The sizing of the above Tips is expressed in this manner rather than showing them as - eg. 6290-00000VVC. Tip and box only display size.

Size

0VVC	Hi-Speed Cuts	12.5 - 20mm
0.5VVC	Hi-Speed Cuts	20 - 35mm
1VVC	Hi-Speed Cuts	35 - 60mm
1.5VVC	Hi-Speed Cuts	60 - 75mm
2VVC	Hi-Speed Cuts	75 - 125mm
2.5VVC	Hi-Speed Cuts	125 - 150mm
3VVC	Hi-Speed Cuts	150 - 175mm
4VVC	Hi-Speed Cuts	175 - 200mm
5VVC	Hi-Speed Cuts	200 - 225mm
5.5VVC	Hi-Speed Cuts	225 - 250mm

Heavy Duty

6NH	Heavy Duty Cuts	250 - 275mm
7NH	Heavy Duty Cuts	275 - 300mm
8NH	Heavy Duty Cuts	300-380mm

Specialty Tips



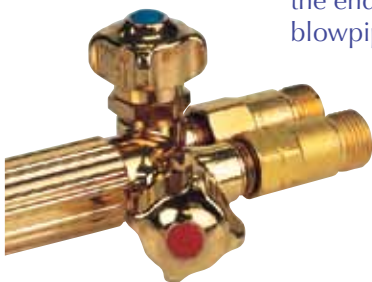
These Tips have many uses and are an added benefit to the **Harris** Range. For many end users, rivet cutting, used for cutting brackets from bulkheads; rivet washing for a straight gouging tip, etc can enhance the use of the torch as a tool. Our 8" long Tips, are ideal in hard to reach places or in Profile machines cutting 'H' Beams.

To suit Professional Series

Size	Professional Series
6290 NFW	Rivet Washing
6290 2NFFR	Propane Rivet Cutting
6290 R	Acetylene Rivet Cutting
1501051	Professional Size 4NFFL 8" long Tip
1501053	Professional Size 2NFFL 8" long Tip

**Made
in
Europe**

Flashguards



Shown attached to a handle

Flashguards screw onto the end of a handle/blowpipe/torch

Flashguards/Checkvalves/Non-Return Valves

886AL1	Fuel Gas 5/8" Inlet/Outlet suit standard Australian Torches - all makes
886AR1	Oxy Gas 5/8" Inlet/Outlet Suit standard Australian Torches - all makes
886AL	Fuel Gas 5/8" Hose End 9/16" Suit 432, 623, 142, 196.
886AR	Oxy Gas 5/8" Hose End 9/16" Suit 432, 623, 142, 196.
C98V2	Oxy Hi Flow valve for cutting Oxy on Machine Cutting Torches

Flashback Arrestors



Made in Europe



Flashback arrestors are an important product in making the operator and industry a much safer workplace. Combine this product with Flashguards, (on Torches) and FBA on Regulators and you raise the level of safety to world standards.

- 188GGAR** Torch end Oxygen normal flow*
- 188GGAL** Torch end fuel gas normal flow
- 1882UAAR** Torch end (off set) Oxygen high flow
- 1882UAAL** Torch end (off set) fuel gas high flow*
Shown in Photo
- 188TAR** Oxygen regulator end normal flow
- 188TAL** Fuel gas regulator end normal flow*
- 1882TAR** Oxygen regulator end high flow
- 1882TAL** Fuel gas regulator end high flow*
- R-FBA-PAK** Two reg and FBA in hanging display pack
- T-FBA-FBA** Two torch and FBA in hanging display pack

SAFETYPAK 1 Two Reg end FBA plus two Torch end flashguards to fit torches with standard 5/8" threads this is the minimum requirement for the AS 4839-2001

SAFETYPAK 4 Two Reg end FBA plus two Torch end FBA this is the optimal requirement for the AS 4839-2001

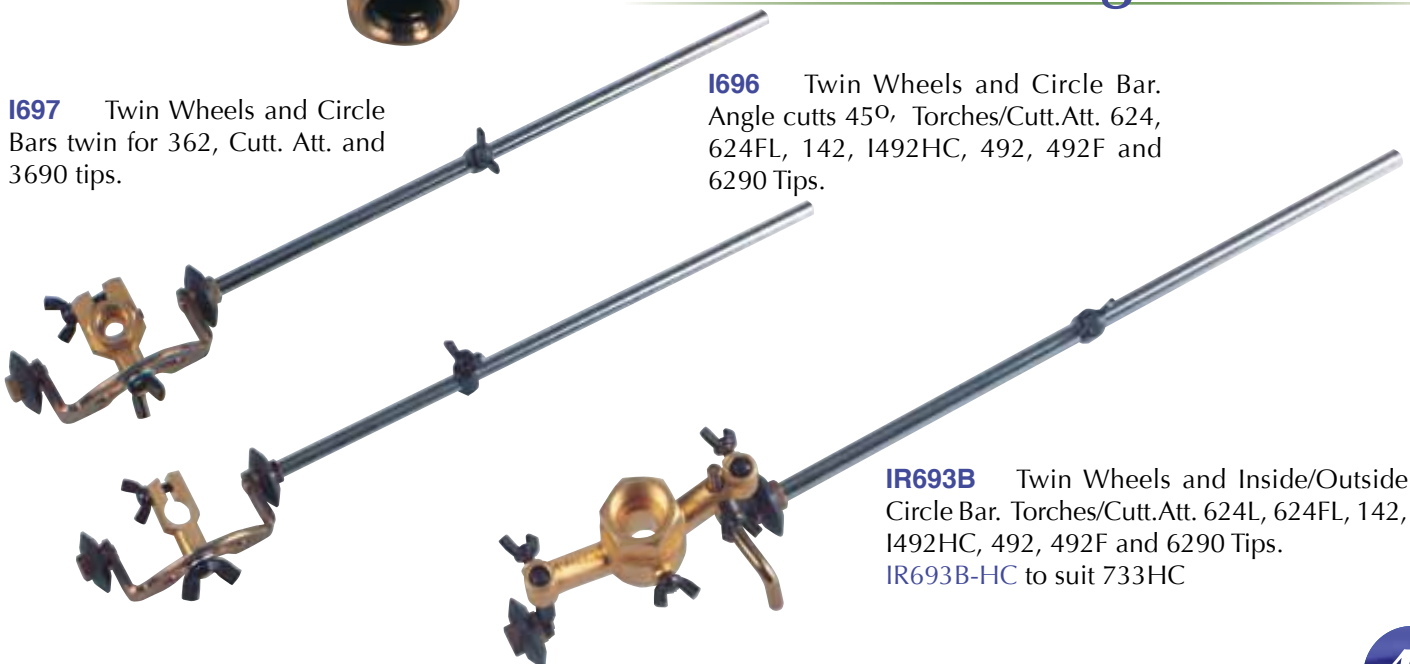
NOTE: * Normal flow/use ** Bigger flow - ideal for large flow Heating Tips. Both regulator types are fitted with a unique thermal cut-off valve.

Manifold flashback arrestors are available. Please provide details of the applications so that the right product can be quoted.

Circle Cutting Guides

1697 Twin Wheels and Circle Bars twin for 362, Cutt. Att. and 3690 tips.

1696 Twin Wheels and Circle Bar. Angle cutts 45°, Torches/Cutt.Att. 624, 624FL, 142, 1492HC, 492, 492F and 6290 Tips.



IR693B Twin Wheels and Inside/Outside Circle Bar. Torches/Cutt.Att. 624L, 624FL, 142, 1492HC, 492, 492F and 6290 Tips.
IR693B-HC to suit 733HC

Specialty Torches and Tips

Specialty Torches



HC1892

Made in Europe

Model 89-3 Compressed Air/Propane Torch

This Torch has a built-in Pilot Flame which can be adjusted to small for economy, or increased to a full flame. Can also be set up as a deadman shut-off lever for added safety. Tip can be swivelled in any direction. Ideal for soft soldering, preheating castings, mould drying, burning paint, heating for the hard surfacing process, annealing copper tubing, and many other heating applications.

HC1892 Heating Torch complete with Stainless Steel Tip **Wt. 1.2kg**

8112 Heating Tip for HC1892



KH825-01

Made in USA

Model KT Air/Propane Assembly

This torch is ideal for heating up steel, driveways, burning weeds, curing cement, and heating plastic. Any application where heat is required.



Model 187 Powder Spray Torch

A hot Puddle Torch for the Powder Spraying process. Ideal for most maintenance workshops. Kit comprises Handle, Mixer Powder Attachment, Tip Tube, Three Tips and Plastic Powder Tank.



Z187003

Made in Europe

Z187003 Powder Spray Torch Kit **Wt.1.0kg**

18781LT Plastic Tank

1879045H Powder Spray Tip No. 45

1879048H Powder Spray Tip No. 48

1879053H Powder Spray Tip No. 53

B187 Powder Spray Tip Tube

Self Lighting Air/Mapp Pro Torch

**TORCH:
HSLT-604**



**MAPP PRO
CYLINDER
4300672**



Features

- ✓ Operates on Mapp, Propane & Propylene
- ✓ Durable Cast Aluminium Construction
- ✓ Swirl Combustion Tip
- ✓ Operates in any Position
- ✓ Trigger Lock for Brazing & Soldering
- ✓ Built-in Ignition
- ✓ POP Hanging Clam Case
- ✓ Fits Disposable Cylinder

**MAPP PRO
DISPOSABLE CYLINDER****
**AVAILABLE IN CARTONS OF 12
ONLY

*Tradesmen Deserve it....
Accountants love it*

Powertorch Air/Lpg

Spec
Torch



Features

- ✓ Swirl Tip
- ✓ Stainless Steel Tip
- ✓ Quick Connect Tips to Handle
- ✓ Ergonomic Handle
- ✓ Positive on/off Valve
- ✓ Operates in any Position
- ✓ Quality Hose 6 Mtr
- ✓ Compact LPG Regulator
- ✓ Harris Renowned Quality
- ✓ 382AL Fitted to Handle

KIT P/N: 4400051

KIT P/N Air Acetylene: 4400051



- ✓ Swirl Tip
- ✓ Stainless Steel Tip
- ✓ POP Hanging Clam Case

*Tradesmen Deserve it.....
Accountants love it*

Scorcher Air/Lpg

This "SUPERCHARGED"
Expansion Burner is ideal for:

- ✓ Heating Steel
- ✓ Curing Concrete
- ✓ Heating Bitumen
- ✓ Drying Applications



Features

- ✓ Stainless Steel Tip
- ✓ Positive On/Off Valve
- ✓ Quality Hose 6 Mtr
- ✓ Compact LPG Regulator
- ✓ Harris Renowned Quality

KIT P/N: LAH601K

*Tradesmen Deserve it.....
Accountants love it*

LPG Cylinders



LPG4.5KG

Features

- ✓ AGA Approved
- ✓ Complies to AS2469
- ✓ Cost of gas is much cheaper than SWAP & GO
- ✓ Powder Coated



LPG9KG

Cylinder Bracket Holders

**ALSO
AVAILABLE
DOUBLE
BRACKET
4302656**

Features

- ✓ Made of Steel with Baked Enamel Finish
- ✓ Anti Static Strip
- ✓ Strong Webbing Strap with a Steel Cinch
- ✓ Cylinder Bracket is easily bolted to a vertical surface
- ✓ Drain Holes

B
r
a
c
k
e
t
s



*Tradesmen Deserve it.....
Accountants love it*

Specialty Torches

Harris has an extensive range of heavy duty cutting torches shown below is just one example of what is available.

Features include-

- ▶ Tip mix design
- ▶ Well balanced for operator comfort
- ▶ Extra high flow capacity
- ▶ Stainless steel head & tubes
- ▶ Built to specified lengths up to 18 feet
- ▶ Available in two or three hose configurations
- ▶ Available with 70°, 90° and 180° heads
- ▶ Cuts 50"



Emergency cut of torch stand



Hose Parts

- 6RBTH100M/S** 6mm acet/oxy twin hose in a easy roll 100M spool
- 6RBTH5M+F** 5M long and Harris fittings/tagged in a box
- 6RBTH10M+F** 10M - Harris fittings/tagged in a box
- 6RBTH15M+F** 15M - Harris fittings/tagged in a box
- 6BOTH100M/S** 6mm LPG/Oxy hose on a easy roll 100M spool
- 6BOTH5M+F** 5M -Harris fittings/tagged in a box
- 6BOTH10M+F** 10M - Harris fittings/tagged in a box
- 6BOTH15M+F** 15M - Harris fittings/tagged in a box
- 8RBTH100M/S** 8mm Acet/Oxy twin hose on a easy roll 100M spool
- 8RBTH10M+F** 10M - Harris fittings/tagged in a box
- 8RBTH15M+F** 15M - Harris fittings/tagged in a box
- 8BOTH100M/S** 8mm LPG/Oxy twin hose on a easy roll spool
- 8BOTH10M+F** 10M- Harris fittings/tagged in a box
- 8BOTH15M+F** 15M - Harris fittings/tagged in a box
- 10BOTHM/S** 10mmLPG /Oxy twin hose on a easy roll spool
- 10BOTH15M+F** 15M -Harris fittings/tagged in a box
- 10BSH100M/S** 10mm Oxygen single hose on a easy roll spool
- 12BSH100M/S** 12mm Oxygen single hose on a easy roll spool
- 10RSH100M/S** 10mm Acetylene single hose on a easy roll spool
- 10OSH100M/S** 10mm LPG single hose on a easy roll spool
- 5ABSH100M/S** 5mm Argon single hose on a easy roll spool

Quick Connect Couplings

- HC33PF** Coupler pin and left hand Nut
- HC22PF** Coupler pin and right hand Nut
- HC32PH** Coupler pin and hose Nipple
- HC22PH** Coupler pin and hose Nipple
- HC33SF** Coupler
- HC22SF** Coupler

Tip Cleaners

- E9** Tip cleaner bent wire type, cleans cutting Oxygen
- C9** Tip Cleaner, RAT Tail Files

Associated Items

Accessories

- MS-STR-4 Teflon thread tape 1/4" suitable for all gas applications
- MS-SNOOP Leak detector with extension tube for easy direction of the solution, suitable for all gases, not corrosive and acceptable in Food grade



Regulator Key

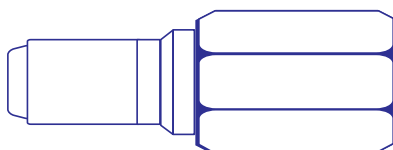
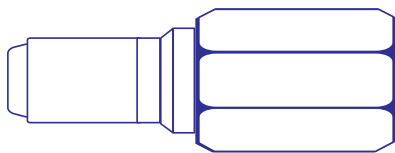
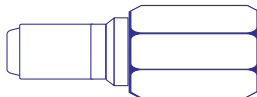
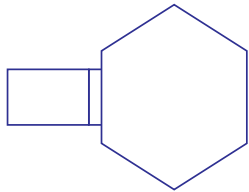
- A825ES Key - Sav 'T' Lock Regulators



A825ES

Adaptors

- 382AL 9/16" to 5/8" Adaptor L/H
- 382AR 9/16" to 5/8" Adaptor R/H
- TWA290 Taper Seat Tip Adaptor
- 190111 Adapts J632 to H192E Mixer
- 190112 Adapts J633 to Precision
- 430111 Fits TH119 into Professional Mixers E43, E43HC, B433, 6, 8
- TH119 Twin Tip Holder ideal for 0090 Flexible Tips. Fits H192E, H192S, B191, B192S B193 Mixers
- 23573 Nipple. Use with 2393 Tip Tube before fitting heating Tips.
- 23579 Adapts 2290 Heating Tips to competitors S/S Tip Tubes
- 37AO2 'Y' Piece - Right Hand
- 37AA2 'Y' Piece - Left Hand
- AD256S LPG Straight Extension Adaptor
- 84790LHLPG 847 90° LH Adaptor for Inlet
- 84790RHOXY 847 90° RH Adaptor for Inlet
- HCRGS Allows **Harris** Cutting Tip into competitors Roller Guides
- 37AO2 Right hand 'Y' Piece
- 37AA2 Left hand 'Y' Piece



Specialty / Scientific Equipment

Note: Below is only a small percentage of our range. Please contact Harris for more information



Model HP703 High purity pipeline regulator stocked in 0-15PSI/50/PSI/125PSI



Model HP702 High purity multistage cylinder regulator stocked in 0-15PSI/50/PSI/125PSI



Model HP701 High purity single stage cylinder regulator stocked in 0-15PSI/50/PSI/125PSI



Manifold Systems

SG 960

Fully Automatic Switchover

The SG 960 Fully Automatic Switchover Manifold for high purity gases. The SG 960 HP can be used with oxygen, inert or fuel compressed gases. The SG 960 LE can be used with cryogenic liquid type cylinders. The SG 960 LAM is for applications for delivery pressure up to 400 PSI. Applications include Laser Resonator Gases, GC and MS Analytical Instruments, Process Analytical Equipment and Applications requiring 24/7 monitoring.

- Fully automatic operation, no knob or levels to turn
- Separate control box, mechanical box and remote alarm allows for flexibility in installation.
- Telemetry contact for web messages and monitoring. Also provides remote monitoring of system plus consumption data.
- Email, phone and text messaging notification, optional modem required
- Modular system designed for expansion



SG960



SG alarm box



SG control box

High Pressure Hose Leads

Harris distributes a range of High Pressure Hose products. Our range of product is extensive and would simply not fit in this catalogue.

These high-pressure hose leads are of the highest quality with unique features and benefits designed with 'real' engineering advantages for the user/application.

Our prices are very attractive for this product. Especially when you consider the benefits and the safety issues "built-in" as standard.



Features include-

- ▶ Teflon lined inner core
- ▶ Anti Kink
- ▶ Double stainless steel braided
- ▶ Anti whip-armour cased
- ▶ Each hose pressure tested
- ▶ Stamped with date and pressure rating
- ▶ Made in the USA
- ▶ Available in variety of lengths
- ▶ Corrugated metal inner core also available
- ▶ Extra high pressure also available

**Made
in
USA**

**YES!
We install
pipeline
systems**

Inert Pipelines

In this range of products we have an easy, low cost range of pipe and fittings that allow a building to be fitted with a reticulation system. It is so easy to do, many end-users do the install themselves. If this is not in your plans, Harris has experienced, trained gas fitters should you require their services. Their knowledge is of value for any type of pipeline or application.

The savings from a pipeline are "dramatic"in some cases, costs have been lowered by **40%**.

Harris believes that this system, combined with our anti-surge key lock regulator (Model 847), can produce savings of **25%** minimum.

Please consider this concept and contact Harris or the local distributor for more details. Prior to contact, measure your floor layout and the length of your droppers and contact Harris or your local distributor for an all-inclusive quote.



Pressure Charts

Contractor Equipment - Oxy Acetylene

Oxy Acetylene Contractor

Part No.	Size	Cutting Thickness mm	Oxy Pressure kPa	Fuel Pressure kPa
3690	00AC	0-6	100-200	35
3690	0AC	6-13	150-250	35
3690	1AC	13-25	200-350	35
3690	2AC	25-75	300-450	35

Oxy Propane Contractor

Part No.	Size	Cutting Thickness mm	Oxy Pressure kPa	Fuel Pressure kPa
3690	00P	0-6	100-200	35
3690	0P	6-13	150-250	35
3690	1P	13-25	200-350	35
3690	2P	25-75	300-450	35

Oxy Acetylene Weld, Heat & Braze Handle (19-6)

Part No.	Size	Oxy Pressure kPa	Acetylene Pressure kPa
0090	1, 3, 5, 6, 8	50	50
1390	1, 3, 5, 6, 8	50	50

Oxy Acetylene Weld, Heat & Braze Mixer (H192E)

Part No.	Size	Oxy Pressure kPa	Acetylene Pressure kPa
5090	1, 3, 5, 6, 8	50	50
J63	1	40	40
J63	2	50	50

Useful Data

kPa = Kilopascal	psi = Pound per square inch	mm = Millimetres	g = Gram
Mpa = Megapascal	ft³/h = Cubed feet per hour	cm = Centimetres	kg = Kilogram
L/min = Litres per minute	Btu = British thermal unit	in = inch	oz = Ounce
bar = A unit of pressure	cal = Calorie	ft = foot	lb = Pound

1 L/min	=	0.0353 ft ³ /min	=	2.118ft ³ /h
1 Btu	=	251.98cal		
1 cal	=	3.968 x 10 ⁻³ Btu		
1 in	=	2.539cm		
1 ft	=	30.4cm		
1 oz	=	28.35g		
1 lb	=	0.4536kg		
1 ft³/h	=	0.0283159 m ³ /h	=	28.3159 L/h = 0.472L/min
bar		kPa		psi
1 bar	=	100 kPa	=	14.50 psi
0.01 bar	=	1 kPa	=	0.1450 psi
0.06896 bar	=	6.896 kPa	=	1 psi

Conversion

From	To		Multiply By
m ³ /h	»	L/min	X 16.7
L/min	»	m ³ /h	X 0.06
ft ³ /h	»	m ³ /h	X 0.028
m ³ /h	»	ft ³ /h	X 35.31
bar	»	kPa	X 100
bar	»	Mpa	X 0.1
bar	»	psi	X 14.5
kPa	»	bar	X 0.01
Mpa	»	bar	X 10
psi	»	bar	X 0.069

NOTE: All tables are for use as a guide only. Specifications may change without notice. Gas abbreviations are not exact technical terms.

Pressure Charts *(continued)*

Professional Equipment - Oxy Acetylene

Oxy Acetylene Professional Equipment

Part No.	Size	Cutting Thickness mm	Oxy Pressure kPa	Fuel Pressure kPa
6290	000	0-5	100-200	1.5
6290	00AC	5-10	100-200	1.5
6290	0AC	10-15	150-250	1.5
6290	1AC	15-25	200-350	1.5
6290	2AC	25-30	300-450	1.5
6290	3AC	50-100	300-450	1.5
6290	4AC	100-175	300-550	1.5
6290	5AC	175-200	300-550	1.5
6290	6AC	250-300	300-550	1.5

Oxy Acetylene Weld & Braze Handle (043013)

Part No.	Size	Oxy Pressure kPa	Acetylene Pressure kPa	Mixer
0090	1, 3, 5, 6, 8	50	50	E43, E43HC
23A90	1, 3, 5, 6, 8	50	50	E43, E43HC

Oxy Acetylene Gouge Torch (492,1492HC,Z142037,062043)

Part No.	Size	Cutting Thickness mm	Oxy Pressure kPa	Fuel Pressure kPa
6290	1G	3-6	250	1.5
6290	2G	5-10	350	1.5
6290	3G	6-13	350	1.5

Oxy Acetylene Heating Tip (043013)

Part No.	Size	Oxy Pressure kPa	Acetylene Pressure kPa	Mixer
J63	1	40	40	E43, E43HC
J63	2	50	50	E43, E43HC
J63	3	60	60	E243
J63	4	140	120	E243
J143	5	140	120	E243

NOTE: For safety use large Bore 8mm or above with sizes 3, 4 and 5 tips. Size 3, 4 and 5 tips exceeds the capacity of one standard size G Acetylene cylinder (1/7 rule).

Oxy Propane Equipment

Oxy Propane Torch (For 429F, 1492F, 142033, 062043)

Part No.	Size	Cutting Thickness mm	Oxy Pressure kPa	Fuel Pressure kPa
6290	000NX	0-5	100-200	1.5
6290	00NX	5-10	150-200	1.5
6290	0NX	10-15	200-300	1.5
6290	1NX	15-25	250-350	1.5
6290	2NX	25-50	300-400	1.5
6290	3NX	50-75	300-450	1.5
6290	4NX	75-150	350-550	1.5
6290	5NX	150-200	350-550	1.5
6290	6NX	200-300	350-550	1.5

Oxy Propane Gouge Torch (For 429F, 1492F, 142033, 062043)

Part No.	Size	Cutting Thickness mm	Oxy Pressure kPa	Fuel Pressure kPa
6290	1GG	3-6	250	1.5
6290	2GG	5-10	350	1.5
6290	3GG	6-13	350	1.5
6290	4GG	10-19	400	1.5

NOTE: The low fuel gas pressure is applicable when using Harris universal pressure mixing systems.

Oxy Propane Specialty Tip (For 429, 1492F, 142033, 062043)

Part No.	Size	Cutting Thickness mm	Oxy Pressure kPa	Fuel Pressure kPa
6290	NFW	Rivet Washing	300	1.5
6290	2NFFR	Rivet Cutting	350	1.5

Oxy Propane Braze Tip

Part No.	Size	Oxy Pressure kPa	Propane Pressure kPa	Remarks
0090	2N, 4N, 6N, 8N	100-210	1.5	Universal Pressure
1390	3N, 5N, 6N, 8N	100-210	1.5	Mixing

Oxy Propane Heating Tip

Part No.	Size	Oxy Pressure kPa	Propane Pressure kPa	Max. MJ based on Flow
1390	H	350	50	98 MJ/HR
2290	1H	100-200	50	186 MJ/HR
2290	2H	200-300	50	298 MJ/HR
2290	3H	200-500	100	532 MJ/HR
2290	4H	300-600	100	663 MJ/HR
2290	5H	400-800	100-200	934 MJ/HR

NOTE: All tables are for use as a guide only. Specifications may change without notice. Gas abbreviations are not exact technical terms.

NOTE: All tables are for use as a guide only. Specifications may change without notice.

Flow Rates

Cylinder Regulators

Cylinder Regulator Flow Rates

Model	Q max [∞] m ³ /h							P3 [§]	Flow m ³ /h	
	Ac	O	Air	Ni	Ar	H	He	P3 bar	P	CO ₂
801-1.5, 821-1.5, 814-1.5, 818-1.4	14	-	-	-	-	-	-	4	15	-
801-4, 821-4, 814-4, 818-4	-	21	22	23	19	-	-	9	15	91
801-10, 821-10, 814-10, 818-10	-	54	57	58	48	-	-	21	-	91
825-1.5, 829-1.5	14	-	-	-	-	-	-	4	15	-
825-4, 829-4	-	21	22	22	19	84	59	9	15	91
825-10, 829-10	-	54	57	58	48	216	152	21	-	91
825-15	-	72	76	77	64	289	204	31	-	91
825-25	-	103	109	111	92	413	292	51	-	91
825-40	-	98	103	105	88	392	278	81	-	56
829-8	-	45	47	8	40	-	-	17	-	91
896-1.5	10	-	-	-	-	-	-	4	11	-
896-4	-	25	26	27	22	99	70	9	10	41
896-10	-	48	50	51	43	191	135	21	-	65
896-15	-	58	61	62	52	232	164	31	-	59
896-25	-	49	52	53	44	198	140	51	-	44

Pipeline Regulators

Pipeline Regulator Flow Rates

Model	Gas	Max. Delivery Pressure bar, kPa	Q max [∞] m ³ /h	P3 [§] Line Pressure bar, kPa
847-1, 5	Ac	1.5bar, 150kPa	16	1.5bar, 150kPa
847-4	P	4bar, 400kPa	32	5bar, 500kPa
847-4	O	4bar, 400kPa	97	15bar, 1500kPa
847-10	O	10bar, 1000kPa	107	15bar, 1500kPa
847-15	O	15bar, 1500kPa	112	15bar, 1500kPa

[∞] Q max - Measured at the regulator outlet with nearly empty cylinder pressure (P3). This is the minimum flow guaranteed during use from a full to empty cylinder. Higher flows are obtainable with higher inlet pressure.

§ P3 - Inlet (line) pressure.

Flow - Propane and CO₂ are liquified gases so the flow is measured at inlet pressures 7bar (pure Propane) and 55bar (CO₂). For CO₂ regulators a heater is needed for continuous flow over 1m³/h.

NOTE: All Flows shown are measured according to the most recent international standard (En-585, ISO2503). Hoses, valves and other equipment may reduce the actual flow and pressure at the point of use. For more information and details of regulators, refer to tables on previous pages.

Ac = Acetylene	Ar = Argon	F = Fuel	H = Hydrogen	Ni = Nitrogen	O = Oxygen
Air = Compressed Air	CO₂ = Carbon Dioxide	He = Helium	NG = Natural Gas	NO₂ = Nitrous Oxide	P = Propane

Comparison Charts

Cutting Tips

Metal Thickness	Series 41 / 44 Tips	Harris Tips
1-6mm	6	00
6-12mm	8	0
12-20mm	12	1
25-75mm	15	2
100-125mm	20	3
150-200mm	24	4
175-250mm	-	5
225-300mm	32	6

Welding Tips

Metal Thickness	Series 551 Tips	Harris Tips 5090, 23A90 & 1390
0.2-0.5mm	-	0
0.5-1mm	8	1
1-2mm	10	3
2-4mm	12	5
4-6mm	15	6
6-9mm	20	8
9-14mm	-	9
14-20mm	26	10

CONTACTS

HGE Pty Ltd

ABN 45 102 938 876

The Harris team is committed to providing you with the very best service and support. We believe in putting “you” first in everything we do.

Our plans are to support the Harris quality with ethical, professional management that “listens” to its customers. We can only learn and improve with your input, please feel free to contribute.

Australia Email: sales@hgea.com.au

Australia Phone: (07) 3375 3670 Fax: (07) 3375 3620

New Zealand Email: sales@harrisnz.com

