

SIP 美規油壓床

- 高強度結構、耐用度高，使用範圍廣泛。
- 液壓式平台，上下調整輕便 (10噸系列為手動式)。
- 可任意搭配使用手動、氣動、電動等動力來源。
- 所有型號均含壓力錶及V型墊塊。(10噸系列無配附V型墊塊)

Hydraulic Presses With Imperial Dimension

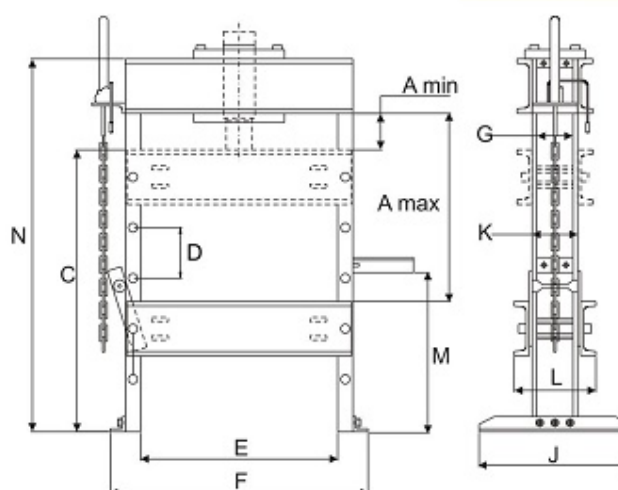
- ※High strength structure and durable.
 - ※Hydraulic-lift bed for effortless adjustment in the vertical direction.(10 ton models are manual)
 - ※Multi-selection for power source, such as manual, pneumatic and electric.
 - ※Gauges and V-Blocks are included on all models.
- (Capacity 10 ton series is not equipped with V-Block)

SIP Series

Capacity:
10-200 ton

Maximum Daylight & Width:
1384 *1219 mm

Maximum Operating Pressure:
700 bar



Pump Model 電動泵浦型號	Motor 馬達	Oil cap. 油箱容量
SIP-10E	0.5hp, 115V/ 220V ,50/60Hz,1ph	3000c.c
SIP-256E	0.5hp, 115V/ 220V ,50/60Hz,1ph	3000c.c
SIP-2514E	1hp, 115V/ 220V ,50/60Hz,1ph	3000c.c
SIP-30E	1hp, 115V/ 220V ,50/60Hz,1ph	3000c.c
SIP-506E	0.5hp, 115V/ 220V ,50/60Hz,1ph	3000c.c
SIP-5013E	2hp, 115V/ 220V ,50/60Hz,1ph	5gal.
SIP-100E	2hp, 115V/ 220V ,50/60Hz,3ph	5gal.
SIP-150E	2hp, 115V/ 220V ,50/60Hz,3ph	5gal.
SIP-200E	3hp, 115V/ 220V ,50/60Hz,3ph	5gal.

Press Model Number 壓床型號	Cap. 能力 ton(kN)	Cylinder Model Number 油壓缸型號	Pump 泵浦	H-Frame Press Dimensions (mm) 外型尺寸											
				Vertical Daylight 工作檯面高度		C	D	E	F	G	J	K	L	M	N
				A (max)	A (min)										
SIP-RSC1010	10(101)	RSC-1010	H	1016	62	1187	127	473	632	—	756	108	189	889	1321
SIP-RSR1010		RSC-1010	A												
SIP-RSC256	25(232)	RSC-256	H	1384	178	1448	302	737	1029	102	762	133	272	673	1930
SIP-RSC2514		RSC-2514	A												
SIP-RSC308	30(295)	RSC-308	H	1384	178	1448	302	737	1029	102	762	133	272	673	1930
SIP-RSR3014		RSC-308	A												
SIP-RSC506	50(498)	RSC-506	H	1233	179	1372	264	730	1086	127	914	184	365	781	1930
SIP-RSC5013		RSC-5013	A												
SIP-RSR5013		RSC-5013	E												
SIP-RSC10010	100(933)	RSC-10010	H	1080	178	1295	297	889	1295	171	914	222	441	842	1930
SIP-RSR1006		RSC-10010	A												
SIP-RSR10013		RSC-10010	E												
SIP-RSR15013	150(1386)	RSR-15013	E	1232	318	1384	254	1219	1706	232	1118	333	555	1213	2286
SIP-RSR20013	200(1995)	RSR-20013	E	1232	318	1384	254	1219	1706	232	1118	333	555	1213	2286

H : 手動 Hand Pumps A : 氣動 Air Hydraulic Pumps E : 電動 Electric Pumps