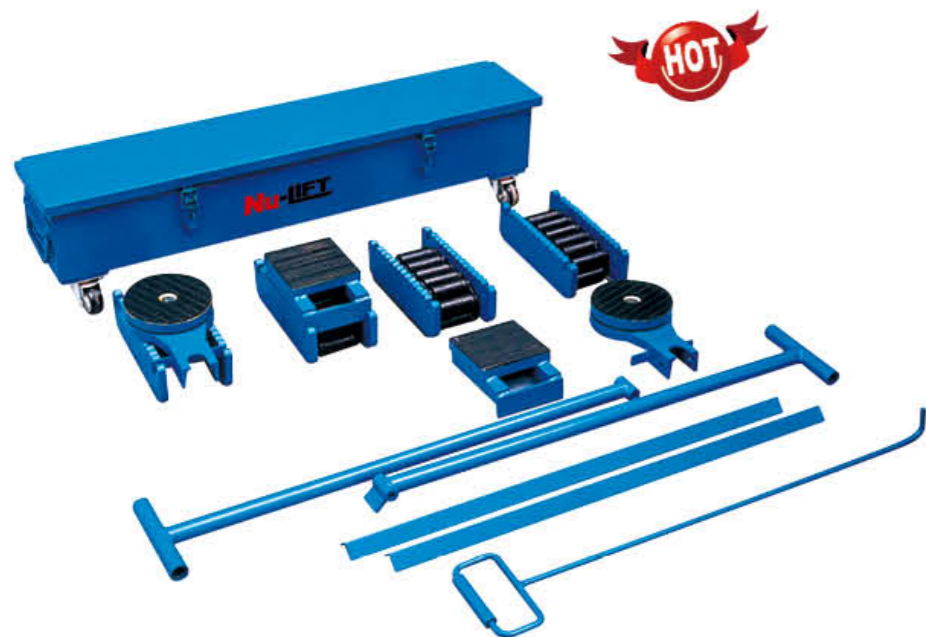


Complete Skate Kits



Including 4 roller skates, 2 turntables, 2 packing plates, 2 steering handles, 2 link-up bars, one draw bar, one metal box.

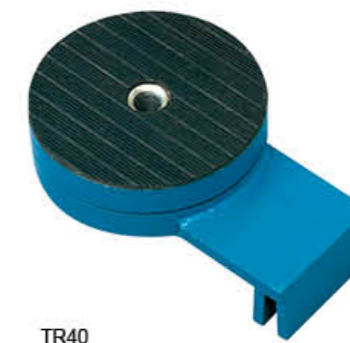
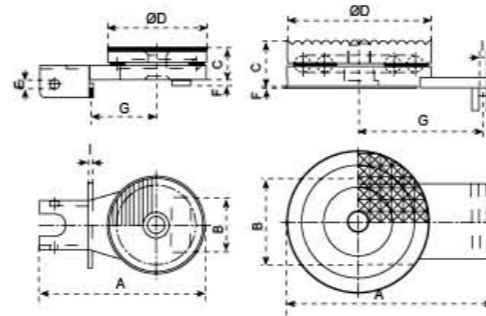
- For short, variable transportation distances.
- For installation works and movement of heavy loads.
- The steering handle give you precise control making it easy to manoeuvre large machinery or into tight areas.
- Moving speed no exceeding 5m/min.
- Minimum turning circle is 3m.

IMPORTANT!

- All maximum carrying capacities are based for use on a steel surface, which withstands the pressure of the chain-roller. For safety, the carrying capacities in complete sets are calculated so that 2 Roller Skates could support the full load on uneven surfaces.
- The track surface is important for the safe transportation of the load, not the carrying capacity of the Roller Skate. Tiles are unsuitable. Movement on tarmac and concrete is restricted. In these cases it is recommended to put a steel plate of a minimum of 10mm thickness underneath.
- Due to the little effort required to overcome the rolling resistance (4-7% of the total load) precautionary measures must be taken for use on inclined surfaces.

Model		SK20	SK30	SK60
Capacity	(tonne)	20	30	60
Length Support	(mm)	120	120	130
Width Support	(mm)	120	120	130
Total Height	(mm)	108	117	140

Turn Table



TR40

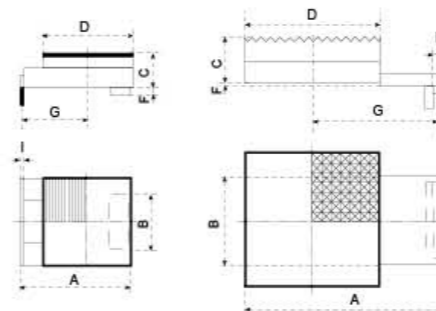


TR20

Model	A	B	C	ØD	E	F	G	I	Wt. (kg)
TR10	220	74	41	128	11	8	88	5	4.5
TR20	220	86	41	128	11	8	88	5	4.5
TR30	250	95	46	150	11	8	105	5	6.7
TR40	275	114	64	190		3	165	11	13.7
TR50	360	128	64	220		3	235	11	18.9

- Turntable are to be placed on top, handle must to be attached.
- Holding while roller skate is moving, minimum turning circle is 3m.

Packing Plate



PC40



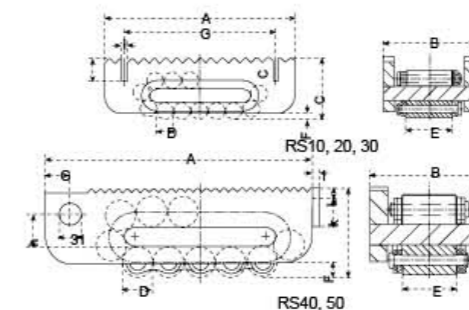
PC10

Model	A	B	C	D	F	G	I	Wt. (kg)
PC10	153	74	37	120	8	88	5	3.7
PC20	153	86	37	120	8	88	5	3.7
PC30	175	95	45	130	8	105	5	5.3
PC40	270	114	61	180	3	165	11	13.8
PC50	350	128	61	200	3	235	11	18.8

Packing plate for compensating the difference in height between skates with turntable and the one without turntable.

Roller Skates

- Stable, rugged and low level construction.
- All maximum carrying capacities are based for use on a steel surface, which withstands the high pressure of the chain-rollers.
- The movement on tarmac and concrete is restricted. In these cases, a steel plate of a minimum of 10mm thickness is recommended.
- Moving speed not to be exceed 5m/min.



RS10

RS40

RS50

Model	A	B	C	D	E	F	G	H	I	K	L	Rollers Under Stress	Number Of Rollers	Capacity (tonne)	Wt. (kg)
RS10	206	100	67	18	51	7	166	--	8	26	--	5	15	10	5.2
RS20	216	112	74	24	58	11	178	--	8	26	--	4	13	15	7.3
RS30	268	127	91	30	66	13	218	--	8	26	--	4	13	30	13
RS40	380	168	125	42	76	16	36	48	10	40	15	4	13	60	32.0
RS50	530	182	145	50	86	19	36	60	10	40	15	6	17	80	61.0

