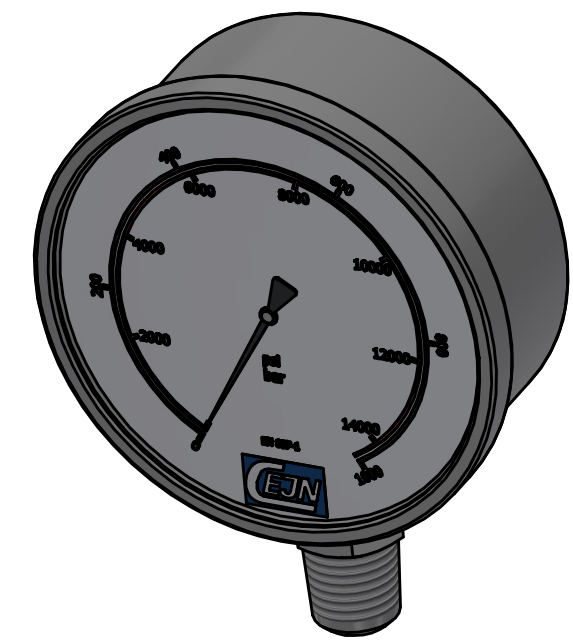
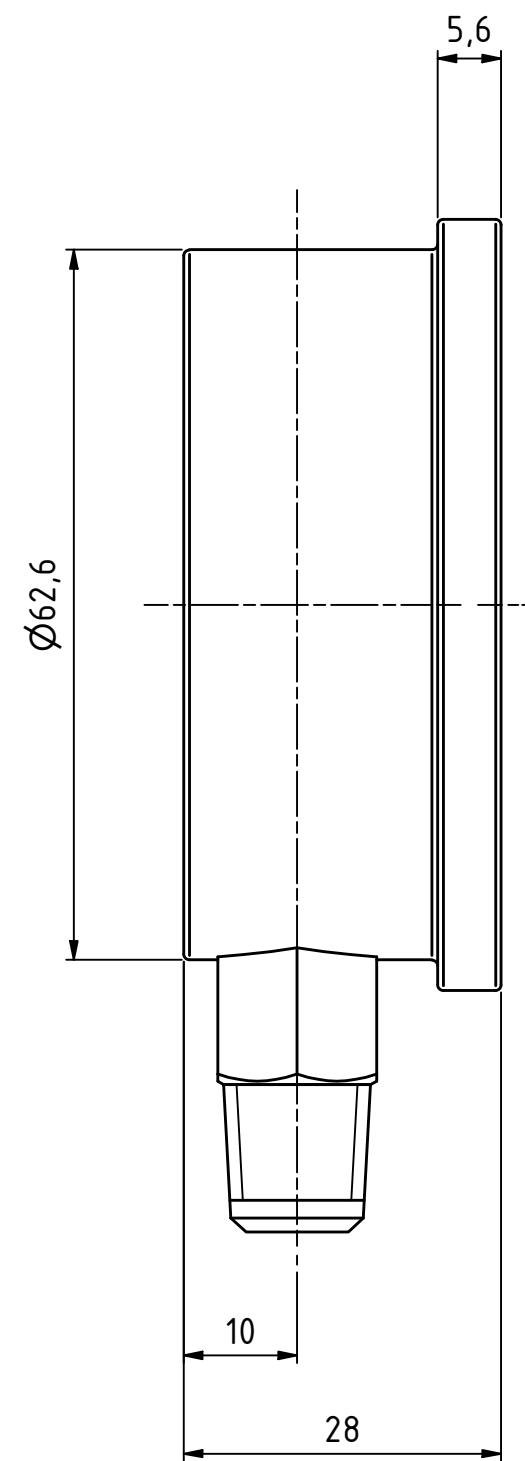
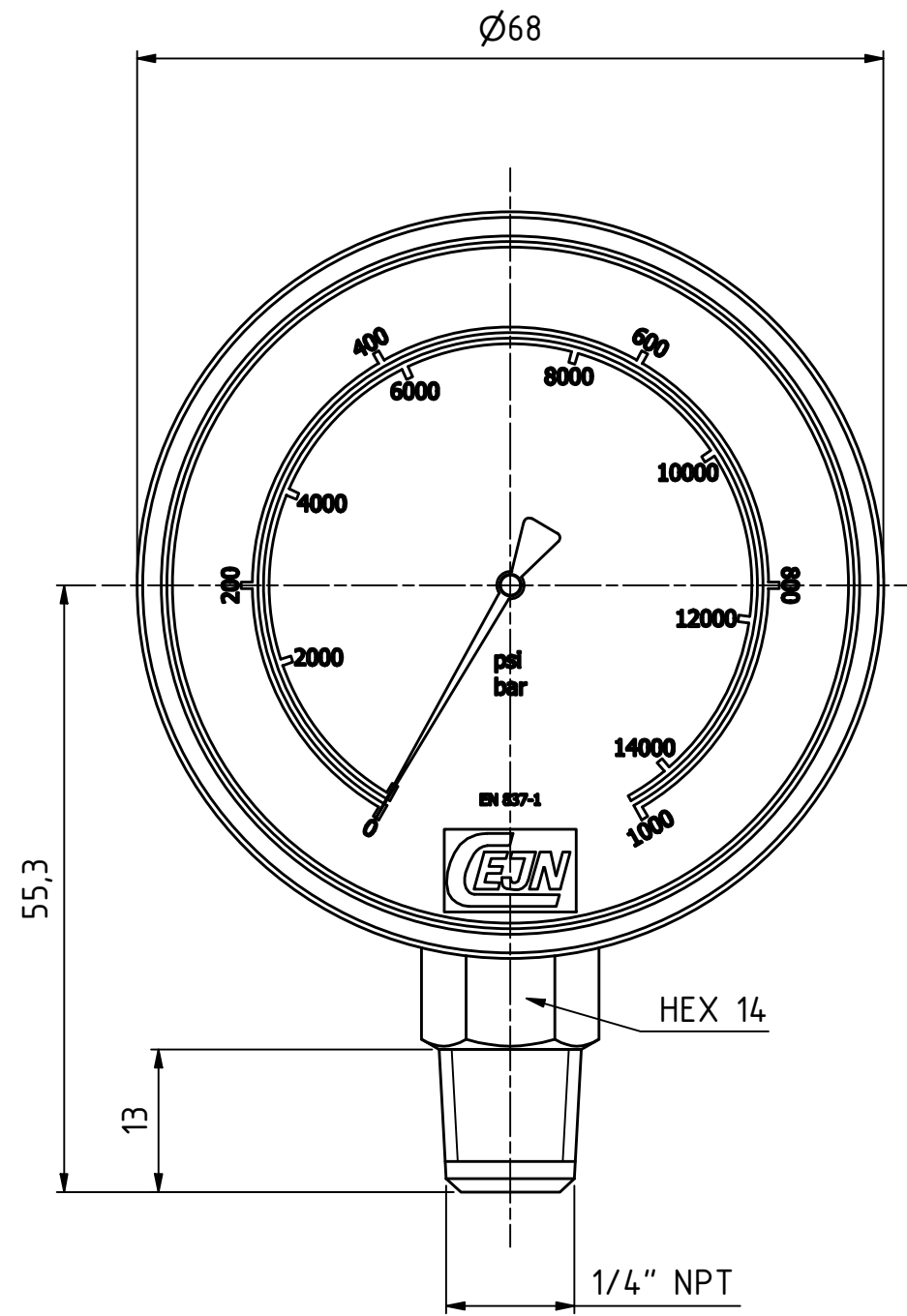


This document must not be copied, either completely or in part, without permission. Any infringement will have legal consequences ©

D  
C  
B  
A



1 : 1

### Technical Data

- Design: EN 837-1.
- Units: bar and psi.
- Max rec. WP: 75% of the full scale range.
- Scale max. WP: 1000 bar (14 500 psi)
- Connection: Male thread.
- Logotype: CEJN Blue.
- Protection Class: IP 67 as per EN 60529/IEC 529.
- Liquid: Filled with 98% glycerine.
- Temperatur Range: 0°C - +65°C (32°F - +149°F).
- Accuracy: Ø 63 mm +/- 1.6% of full scale.
- Material: Stainless steel construction. Plastic white dial.  
Black pointer of aluminum. Window of polycarbonate.
- Weight (kg): 0,2.

	Scale	3 : 2	Drawn	CABNiHa	Checked	EP	Appr.	JW	ECO	Date	2018-09-10
	Drawing No. <b>509402121</b>								Issue	AB	Sheet

A3

6 5 4 3 2 1