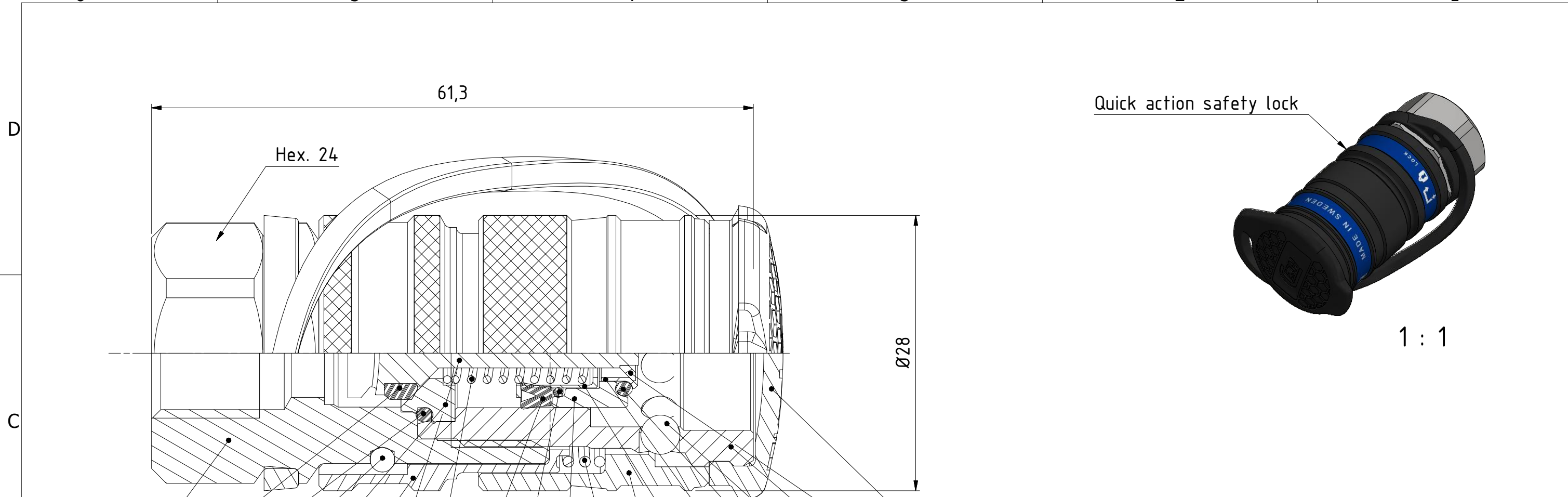


This document must not be copied, either completely or in part, without permission. Any infringement will have legal consequences ©

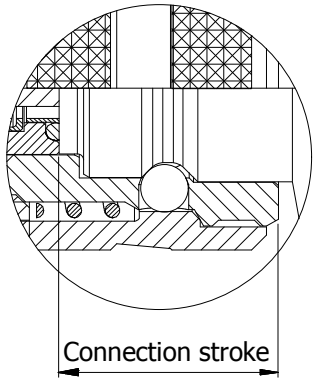
A3



- 17
- 5
- 3
- 18
- 2
- 19
- 4
- 6
- 13
- 12
- 8
- 14
- 16
- 10
- 9
- 11
- 15
- 1
- 7
- 20

20	1	Dust Cap	TPE, black
19	1	Sleeve	Steel, Zn-Ni 10 black
18	4	Ball	Stainless steel
17	1	Back part	Steel, Zn 8 silver
16	1	Locking sleeve	Hard.steel, Zn-Ni 10 black
15	9	Ball	Stainless steel
14	1	Spring	Steel
13	1	Lip seal	NBR
12	1	O-ring	NBR
11	1	O-ring	NBR
10	1	Spring housing	Steel
9	1	O-ring sleeve	Steel
8	1	Expansion sleeve	Plastic
7	1	Washer	Steel
6	1	Spring	Steel
5	1	Seal	NBR
4	1	Valve	Steel, FeZn5
3	1	O-ring	NBR
2	1	Valve seat	Steel
1	1	Front part	Steel, Zn 8 silver
Item	Qty	Description	Material

Product No. 101161202	
Nominal flow Ø DN:	2.5 mm
Connection Stroke:	18.3 mm
Max WP Connected:	1500 bar
Max WP Disconnected:	1500 bar
Min BP Connected:	3000 bar
Min BP Disconnected:	3000 bar
Temperature range:	-30°C - +100°C
Connection:	G1/4" female
Sealing material:	NBR
Hexagon:	24



Scale: 2,5 : 1

Drawn: CABAO

Checked: FR

Appr.: JE

ECO: 12061

Date: 2018-04-18

Drawing No. 501161202

Issue: AB

Sheet: 1 / (1)