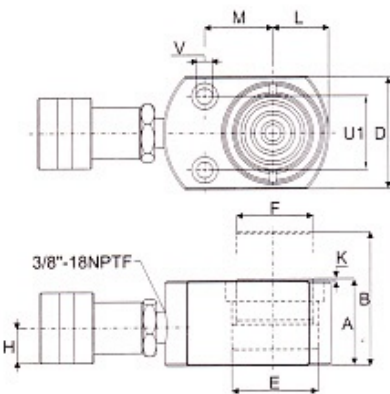


## RSSM 液壓單動，超薄型千斤頂

- 扁平設計適用於窄小空間作業需求。
- 底座螺孔便於固定。
- 溝槽式主軸表面，不需加裝墊塊。
- 主軸及液壓缸內壁硬鉻處理耐磨、抗腐蝕。
- 強力彈簧加速主軸回縮速度。
- 防塵環減少污染物附著。
- 上螺帽保護主軸超揚昇。
- 表面粉體塗裝美觀抗腐蝕、防銹。
- 各型號均含SQB-3/8UF快速接頭及防塵蓋。

### Single-Acting, Low Height, Flat Cylinders

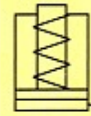
- ※ Compact and flat design for use where in a narrow space.
- ※ Mounting holes permit easy fixturing.
- ※ Grooved plunger ends require no saddle.
- ※ Hard chrome plated plunger and inner of barrel resists wear and corrosion.
- ※ Maximum sized springs speed piston return and increase spring life.
- ※ Plunger wiper reduces contaminant.
- ※ Stop ring for piston blow-out protection.
- ※ Powder coat finish for increased corrosion resistance and antirust.
- ※ SQB-3/8UF coupler and dust cap are included on all models.



活動提把  
Removable strap handles

提把型式 Handle type	
(S) : 標準配件 standard equipped	
(O) : 選配 option	
● 焊提把 Weldable	
★ 吊環螺栓 Eyebolt	
▲ 活動提把 Removable strap handles	
■ 螺身式活動提把 Thread	

## RSSM Series



Capacity:	5-150 ton
Stroke:	6-16 mm
Maximum Operating Pressure:	700 bar



### RSSM-50

- RSSM-50 搭配 SQB-3/8UF 快速接頭。
- ※ RSSM-50 is fitting with a SQB-3/8UF.



Handle type	Model Number	Cylinder Capacity	Stroke	Cylinder Effective Area	Oil Cap.	Collapsed Height	Extended Height
提把型式 (S)	型號	能力 ton(kN)	揚程 (mm)	受壓面積 (cm <sup>2</sup> )	總油量 (cm <sup>3</sup> )	本身高 A (mm)	伸長總高 B (mm)
	RSSM-50	5 (45)	6	6.5	4	32	38
	RSSM-100	10 (101)	12	14.5	18	43	54
	RSSM-200	20 (201)	11	28.7	32	51	62
	RSSM-300	30 (295)	13	42.1	55	58	71
	RSSM-500	45 (435)	16	62.1	99	66	82
●	RSSM-750	75 (718)	16	102.6	164	79	95
●	RSSM-1000	90 (887)	16	126.7	203	85	101
●	RSSM-1500	150 (1386)	16	198.1	317	100	116

Outside Diameter	Cylinder Bore Diam.	Plunger Diam.	Base to Adv. Port	Plunger Protrusion from Base	Plunger to Base	Plunger to Mtg. Hole	Weight	Base Mounting Hole 底座螺孔				Model Number
								Hole Pitch.	Hole Diam.	Counter Bore Diam.	Counter Bore Depth	
外徑 D (mm)	內徑 E (mm)	主軸直徑 F (mm)	底部前進油孔位置 H (mm)	凸出高度 K (mm)	偏心位置 L (mm)	魚眼位置 M (mm)	總重 (kg)	魚眼孔距 U1 (mm)	孔徑 V (mm)	魚眼 (mm)	魚眼深度 (mm)	型號
58 x 41	28.7	25.4	16	1	20	22	1.0	28.5	5.5	7.9	4.3	RSSM-50
82 x 55	42.9	38.1	19	1	27	34	1.4	36.6	7.1	10.7	7.9	RSSM-100
101 x 76	60.5	50.8	19	1	39	39	3.1	49.3	10.0	15.1	9.9	RSSM-200
117 x 95	73.2	63.4	19	2	47	44	4.5	52.3	10.0	15.9	11.2	RSSM-300
140 x 114	88.9	69.8	19	2	57	53	6.8	66.5	11.9	19.0	12.7	RSSM-500
165 x 139	114.3	82.6	19	2	69	66	11.3	76.2	13.5	20.6	14.2	RSSM-750
178 x 153	127.0	92.2	19	2	76	74	14.5	76.2	13.5	20.6	14.2	RSSM-1000
215 x 190	158.8	114.3	23	2	95	82	26.3	117.3	13.5	20.6	14.2	RSSM-1500