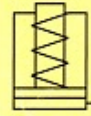


RSCS 液壓單動，低型千斤頂

- 質輕且基體低，但揚程要求較RSSM高時，適用此系列。
- 溝槽式主軸表面具螺牙孔便於安裝傾斜墊塊(選配)。
- 主軸及液壓缸內壁硬鉻處理耐磨、抗腐蝕。
- 強力彈簧加速主軸回縮速度。
- 防塵環減少污染物附著。
- 上螺帽保護主軸超揚昇。
- 表面粉體塗裝美觀抗腐蝕、防銹。
- 各型號均含SQB-3/8UF快速接頭及防塵蓋。

RSCS Series



Capacity:

10-90 ton

Stroke:

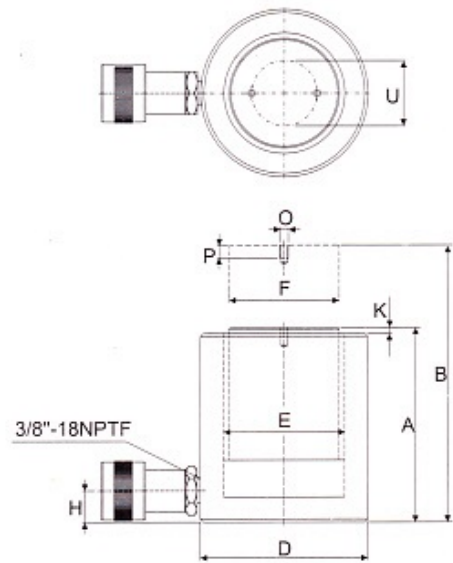
38-62 mm

Maximum Operating Pressure:

700 bar

Single-Acting, Low Height Cylinders

- ※ Lightweight, low profile design for use in confined spaces, but stroke higher than RSSM.
- ※ Grooved plunger end with threaded holes for mounting tilt saddles.
- ※ Hard chrome plated plunger and inner of barrel resists wear and corrosion.
- ※ Maximum sized springs speed piston return and increase spring life.
- ※ Plunger wiper reduces contaminant.
- ※ Stop ring for piston blow-out protection.
- ※ Powder coat finish for increased corrosion resistance and antirust.
- ※ SQB-3/8UF coupler and dust cap are included on all models.



選配螺栓傾斜墊塊尺寸 Optional Bolt Tilt Saddle Dimensions (mm)

Cylinder Model/Cap.	Model Number	Optional Bolt Tilt Saddle Dimensions (mm)		
		A	B	*C
油壓缸 型號-能力 ton(kN)	型號			
RSCS-101	XKCATRSCS-10	35	11	21
RSCS-201,302,502	XKCATRSCS-20	50	15	29
RSCS-1002	XKCATRSCS-100	71	17	35

*C尺寸為墊塊自主軸突出高度均附有底座螺栓
*C dimension equals saddle protrusion from plunger. Mounting screws are included.

提把型式 Handle type	Model Number	Cylinder Capacity	Stroke	Cylinder Effective Area	Oil Capacity
(S): 標準配件 standard equipped	型號	能力 ton(kN)	揚程 (mm)	受壓面積 (cm ²)	總油量 (cm ³)
(O): 選配 option					
● 焊提把 Weldable	RSCS-101	10(101)	38	14.5	55
★ 吊環螺栓 Eyebolt	RSCS-201	20(201)	45	28.7	129
▲ 活動提把 Removable strap handles	RSCS-302	30(295)	62	42.1	261
■ 螺牙式活動提把 Thread	● RSCS-502	45(435)	60	62.1	373
	● RSCS-1002	90(887)	57	126.7	722

Collapsed Height	Extended Height	Outside Diameter	Cylinder Bore Diam.	Plunger Diam.	Base to Adv. Port	Plunger Protrusion from Base	Thread	Thread Depth	Bolt Circle	Weight	Model Number
本身高 A (mm)	伸長總高 B (mm)	外徑 D (mm)	內徑 E (mm)	主軸直徑 F (mm)	底部前進 油孔位置 H (mm)	凸出高度 K (mm)	主軸螺紋 O (mm)	螺紋深度 P (mm)	螺紋孔距 U (mm)	總重 (kg)	型號
88	126	69	42.9	38.1	17	5	M4	8	26	4.1	RSCS-101
98	143	92	60.5	50.8	17	3	M5	8	39	5.0	RSCS-201
117	179	101	73.2	66.5	19	3	M5	8	39	6.8	RSCS-302
122	182	124	88.9	69.8	23	2	M5	8	39	10.9	RSCS-502
141	198	165	127.0	92.2	31	1	M8	10	55	22.7	RSCS-1002