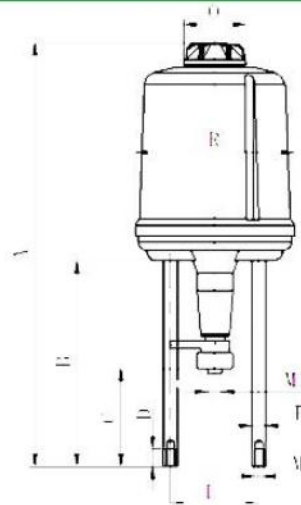




# Product Details



<b>Model</b>	<b>XSL104</b>
<b>Medium</b>	<b>Hot oil, Steam, Water</b>
<b>Valve body</b>	<b>Casting stainless steel, SS304</b>
<b>Flange Standard</b>	<b>GB, JIS</b>
<b>Working temperature</b>	<b>0° C-425° C</b>
<b>Working pressure</b>	<b>1.6MPa</b>
<b>Thrust</b>	<b>4000 N</b>
<b>Speed</b>	<b>0.4-1.2 mm/s</b>
<b>Travel</b>	<b>40 mm</b>
<b>Manual operation</b>	<b>with</b>
<b>Power consumption</b>	<b>10 w/h</b>
<b>Power source</b>	<b>①220V AC</b>
	<b>②other</b>
<b>Control signal</b>	<b>①4-20mA</b>
	<b>②0-5V</b>
	<b>③0-10V</b>
<b>Protection</b>	<b>①Electrical moment protection</b>
	<b>②Mechanical moment protection</b>
	<b>③overheat protection</b>



## Product details

### Connection terminal

- ① Multipurpose interface
- ② Clear number label
- ③ Sensitively transmit signals



### Heat insulation



### Manual switch

- ① Manual operation when power outages
- ② Do not touch when power on



### Capacitor

- ① Control the motor on or off
- ② Positive and negative rotation



### Servo motor



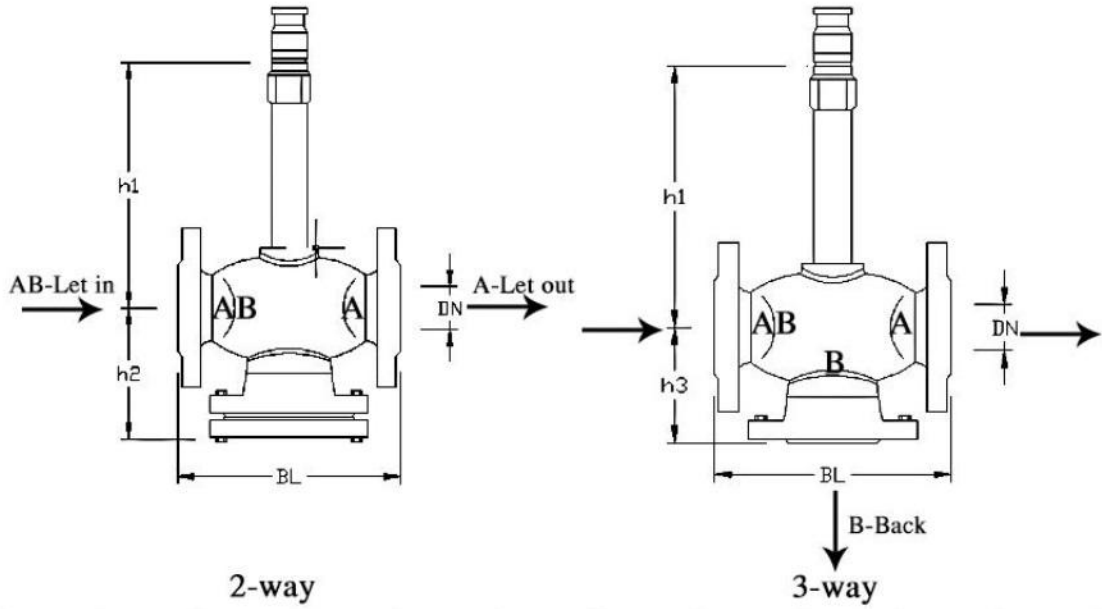
### Protection

- ① Electrical moment protection
- ② Mechanical moment protection
- ③ Overheat protection





# Size



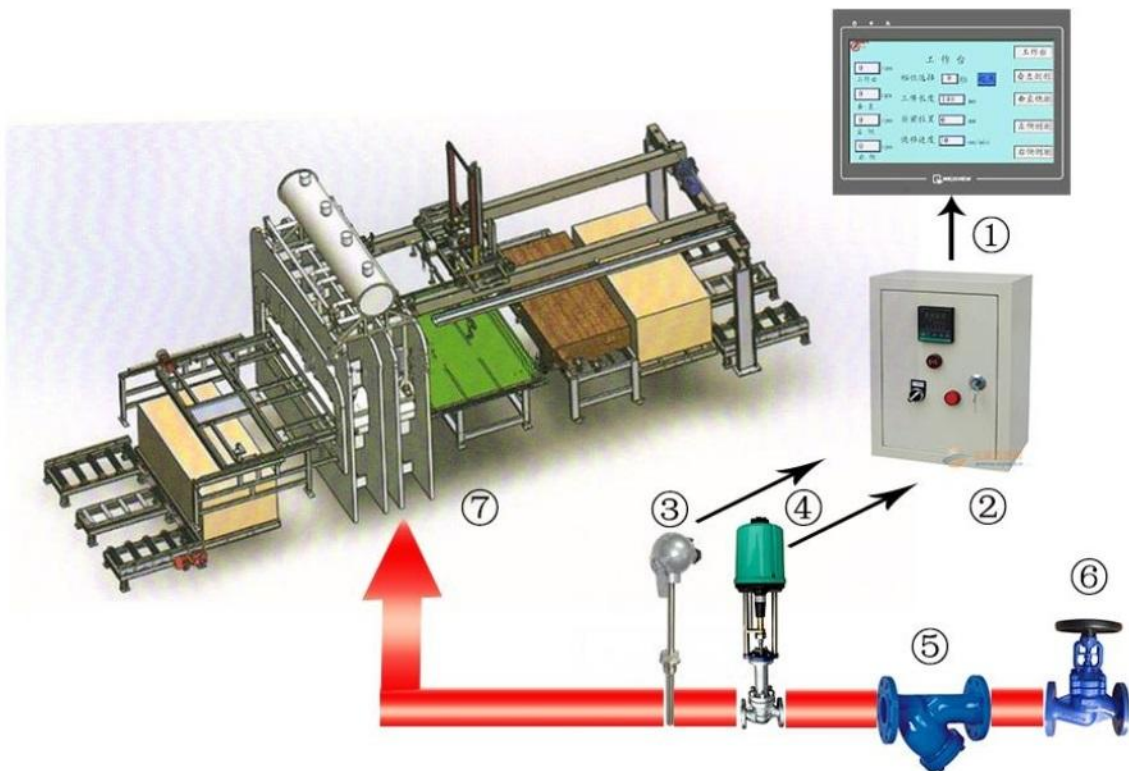
Dia	ND (mm)	15	20	25	32	40	50	65	80	100
	In.	1/2"	3/4"	1"	1 1/4"	1 1/2"	2"	2 1/2"	3"	4"
KVS (m <sup>3</sup> /h)		5.6	6.3	9	16	25	36	63	105	130
size	BL	130	150	160	180	200	230	290	310	350
	h1	230	230	230	282	280	276	270	270	265
	h2	101	104	114	130	135	147	159	166	189
	h3	74	74	84	100	105	115	125	130	150
	h4	103	103	106	104	114	124	144	154	169



# Control System

CASA electric control valves are suitable for medium like steam, hot oil, and water. The valves mainly control the temperature and flow accurately, professional used for hot-pressing machine, fabric heat setting machine, and printing machine and other high temperature equipment such as heat exchangers.

CASA electric control valves particularly behave well in the temperature control system.



- ① touch screen monitor
- ② temperature controller
- ③ thermocouple
- ④ electric control valve
- ⑤ filter strainer
- ⑥ globe/stop valve
- ⑦ hot press machine