

On-Line Water Quality System Suspended Solids Analyzer & Sensor

DWA - 3000A/3000B SS Analyzer



DWA-3000A



DWA-3000B

Features

- Real Time Trend Analysis Function
- Microprocessor-based Digital Program Controller
- Isolated DC (4-20/0-20/0-24mA) Output Transmission
- Automatic Cleaning Control Function
- Low-cost For User Satisfaction
- CE Mark Accredited

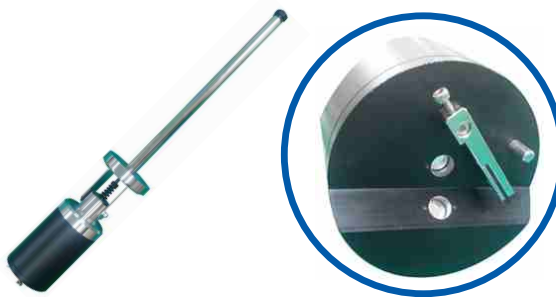


Specifications

| | DWA-3000A | DWA-3000B |
|-------------------|---|--------------------------|
| Power | AC 110V / 220V , 50/60Hz | |
| Channel | Single Channel | |
| Accuracy | ± 2% (of Full Scale) | |
| resolution | 0.001 mg/L | |
| Response time | 90 sec (90% saturation) | |
| Analog Output | 4~20mA DC (Std.) / 0~20mA, 0~24mA (Opt.) /Dual communication output | |
| Digital Output | RS-232C (Std.) , RS-485 (Opt.) | |
| Temp. Range | -10~70°C | |
| Relative Humidity | Max. 90% (Non-Condensing) | |
| Display | Trend graph, Measuring value, Measuring Status, Unit | |
| IP Rating | IP65 (NEMA 4X) | |
| Size | 240(W) X 185(H) X 115(D) | 155(W) X 155(H) X 138(D) |
| Installation | Wall mounting | DIN 144 panel mounting |



TCSS - 200N

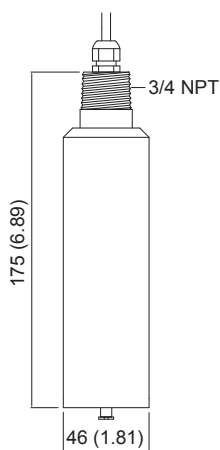


TCSS - 200

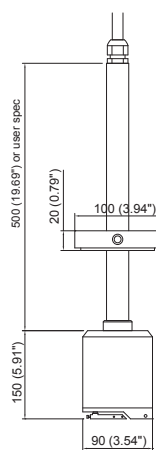
ISS Sensor - Specification

| Model | TCSS-200N | TCSS-200 |
|---------------------|---|-------------------------------------|
| Method | IR LED 880nm Scattering | IR LED 880nm Scattering |
| Range | 0~2,000 mg/L (ppm) or User Spec. | 0~100mg/L , 0~200mg/L or User Spec. |
| Sensor Material | PPS or STS316L (Wiper : Rubber) | Acetal (Wiper : Rubber) |
| Temp. Condition | 0~80°C | 0~80°C |
| Pressure Condition | Max. 1 Map | Max. 1 Map |
| Cleaning Method | Wiper | Wiper |
| Holder Type | Submersion Type | Submersion Type |
| Holder Material | PVC/PP/STS304 | STS304 |
| Holder Length | Pipe/Flange Type : 2M(Std.) or User Spec Chain Type : 5M(Std.) | 500mm(Std.) |
| Cable Length | 20M(65.6ft) | 15M(49.2ft) |
| IP Rating | IP68 | IP68 |
| Application | Effluent water, Waste water treatment | TMS site |
| Additional Function | RS-232C Communication Function built-in | - |

Dimensions

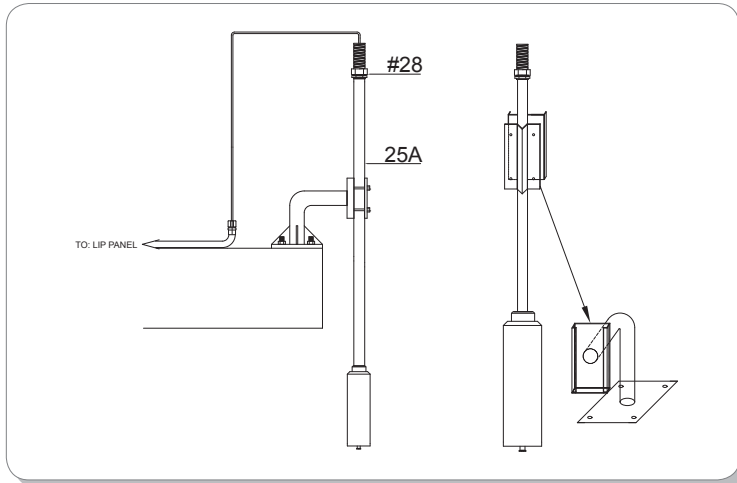


TCSS-200N



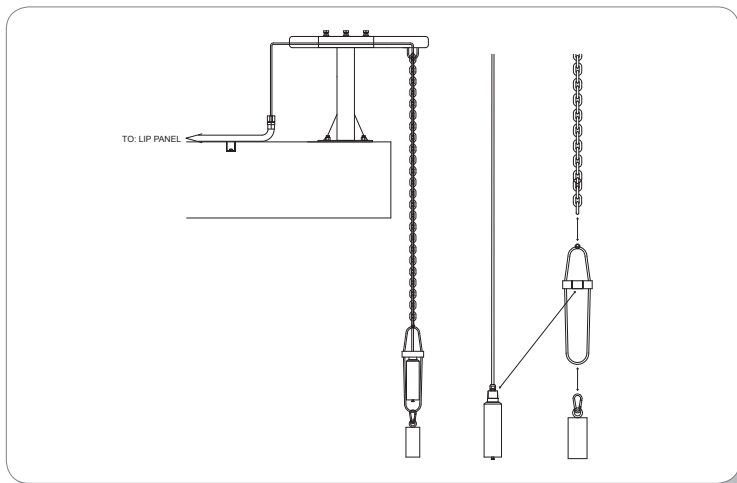
TCSS-200

Submersion Type Installation



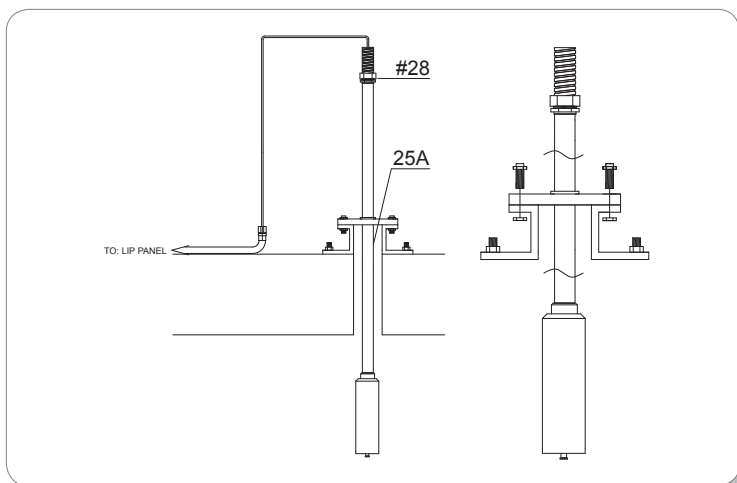
Pipe type

- Apply to Wastewater Treatment process
- Pipe Type Submersible Holder
- Fix a pipe by exclusive use bracket
- Cleaning system optional
- Holder Length can be available user's spec.
- Holder Length need 3M more, encourage chain type
- Pipe length 1M, 2M or more increase can be possible.
- Pipe material : PVC/PP(Std.), STS304(Optional).
- Bracket Material : STS304.



Chain type

- Applied at installation in deep water
- Pipe Type Submersible Holder
- Fix a pipe by exclusive use bracket.
- Cleaning system optional
- This Holder need when installate in deep Water
- Hang weight at the bottom of sensor.
- Easy to carry
- Chain Length : 5M.
- Chain Material : STS304
- Bracket Material : STS304.



Flange type

- Flange Type Submersible Holder
- The Upper Part of enclosed tank, Flush type underground sewage disposal plant
- The Choice of Flange type can be available
- Provide Flange mounted Pipe
- Flange can be available Fixed / Height-Adjustable Type
- Cleaning system optional
- Holder Length can be available user's spec
- Pipe length 1M, 2M or more increase can be possible.
- Pipe Material : PVC/PP(Std.), STS304(Option).
- Flange Material : PVC/PP(Std.), STS304(Option)
- Bracket Material : STS304.