

STRAINER

654 BRONZE STRAINER(THREADED)

- ◆ Pressure Rating: PN20
- ◆ Working Medium: Water, Oil, Gas
- ◆ Working Temperature: $t \leq 170^{\circ}\text{C}$
- ◆ Taper Pipe Thread To ISO7

Bill of Materials

Sequence	Description	Material	Sizes
1	Body	Bronze CC491K	All
2	Screen	Stainless Steel Type304	All
3	Gasket	P.T.F.E	All
4	Cap	Bronze CC491K	All

Dimensions

654				
DN	INCH	CM	L	H
15	1/2"	60	58	33
20	3/4"	60	70	41
25	1"	60	88	49
32	1 1/4"	28	96	56
40	1 1/2"	28	107	62
50	2"	28	126	80



653 BRONZE STRAINER(THREADED)

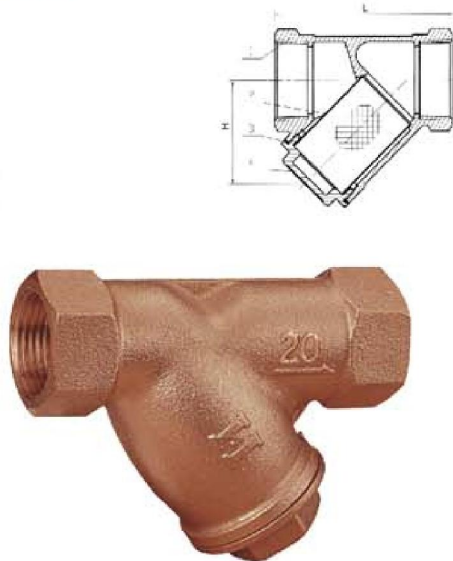
- ◆ Pressure Rating: PN20
- ◆ Working Medium: Water, Oil, Gas
- ◆ Working Temperature: $t \leq 170^{\circ}\text{C}$
- ◆ Taper Pipe Thread To ISO7

Bill of Materials

Sequence	Description	Material	Sizes
1	Body	Bronze CC491K	All
2	Cap	Bronze CC491K	All
3	Gasket	P.T.F.E	All
4	Screen	Stainless Steel Type304	All

Dimensions

653				
DN	INCH	CM	L	H
15	1/2"	120	74.5	40
20	3/4"	60	85.5	45
25	1"	28	108	64
32	1 1/4"	28	122	71
40	1 1/2"	28	135	81
50	2"	16	163	96
65	2 1/2"	16	230	110
80	3"	12	260	142
100	4"	12	330	175



STRAINER

691 BRASS STRAINER(THREADED)

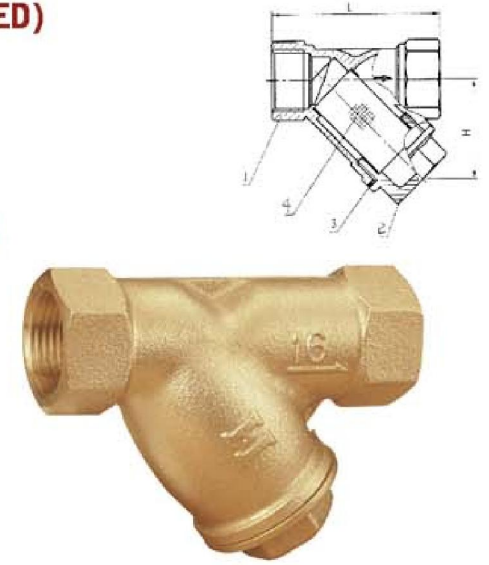
- ◆ Pressure Rating: PN16
- ◆ Working Medium: Water, Oil, Gas
- ◆ Working Temperature: $t \leq 170^{\circ}\text{C}$
- ◆ Pipe Thread To ISO228

Bill of Materials

Sequence	Description	Material	Sizes
1	Body	Brass CW617N	All
2	Cap	Brass CW617N	All
3	Gasket	P.T.F.E	All
4	Screen	Stainless Steel Type304	All

Dimensions

691				
DN	INCH	CM	L	H
15	1/2"	120	74	40
20	3/4"	60	86.5	46
25	1"	28	108	64
32	1 1/4"	28	122	71
40	1 1/2"	28	135	81
50	2"	16	163	96
65	2 1/2"	16	230	110
80	3"	12	260	142
100	4"	12	330	175



6301 BRASS Y STRAINER

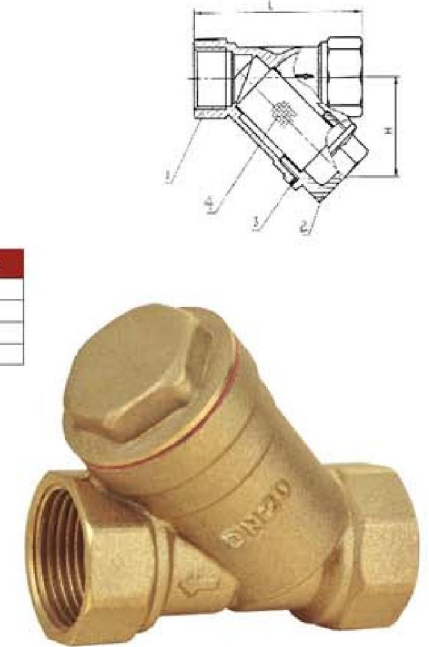
- ◆ Pressure Rating: PN16
- ◆ Working Medium: Water, Oil, Steam
- ◆ Working Temperature: $t \leq 170^{\circ}\text{C}$
- ◆ Pipe Thread to ISO 228

Bill of Materials

Sequence	Description	Material	Sizes
1	Body	Brass CW617N	All
2	Cap	Brass CW617N	All
3	Gasket	P.T.F.E	All
4	Screen	Stainless Steel Type304	All

Dimensions

6301				
DN	INCH	CM	L	H
15	1/2"	120	54	33
20	3/4"	60	63	36
25	1"	28	73	42
32	1 1/4"	28	86.5	51
40	1 1/2"	28	96	52
50	2"	16	113	72
65	2 1/2"	16	128	87
80	3"	12	145	102
100	4"	12	175	128



STRAINER

6201 Y-TYPE STRAINER

- ◆ Pressure Rating: PN16
- ◆ Flange Dimension Conform to EN1092-2
- ◆ Testing Conform to BS6755

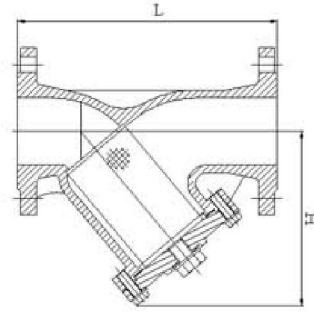
Bill of Materials

Description	Material	Spec
Body	Cast Iron	EN-JL 1040
	Ductile Iron	EN-JL 1050
Cap	Cast Iron	EN-JL 1040
	Ductile Iron	EN-JL 1050
Screen	Stainless Steel 304	BS907 304S15
Blow-Off Plug	Carbon Steel	



Dimensions

6201		
DN	L	H
50	223	150
65	273	189
80	292	213
100	352	228
125	416	273
150	470	301
200	543	370
250	660	457
300	762	540
350	980	740
400	1100	850
450	1200	800



STRAINER

6202 Y-TYPE STRAINER

- ◆ Pressure Rating: Class 125
- ◆ Flange Dimension Conform To Ansi B16.1
- ◆ Testing Conform To API 598

Bill of Materials

Description	Material	Spec
Body	Cast Iron	A 126 Class B
	Ductile Iron	A536 65-45-12
Cap	Cast Iron	A 126 Class B
	Ductile Iron	A536 65-45-12
Screen	Stainless Steel 304	S 30400
Blow-Off Plug	Carbon Steel	



Dimensions

6202		
DN	L	H
50	223	150
65	273	189
80	292	213
100	352	228
125	416	273
150	470	301
200	543	370
250	660	457
300	762	540
350	980	740
400	1100	850
450	1200	800

