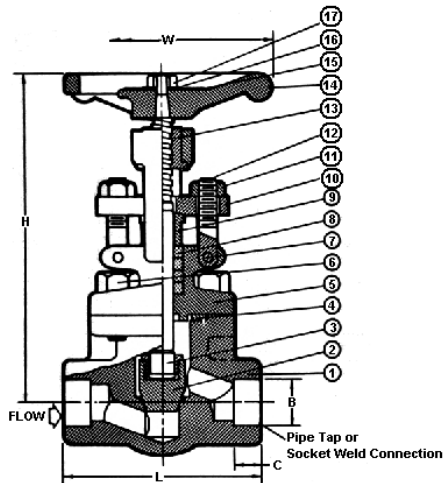


# Globe Valve

800 WOG

Forged Steel, Socket Welded



## Materials

No.	Part	Material
1	Body	Forged Steel
2	Disc	Stainless Steel
3	Stem	Stainless Steel
4	Gasket	Stainless Steel
5	Bonnet	Forged Steel
6	Bonnet Bolts	Alloy Steel
7	Eyebolt Pin	Stainless Steel
8	Packing	Wire Inserted
9	Gland	Stainless Steel
10	Gland Flange	Stainless Steel
11	Gland Nuts	Stainless Steel
12	Gland Eyebolts	Stainless Steel
13	Sleeve	Stainless Steel
14	Handwheel	Malleable Iron
15	Nameplate	Aluminium
16	Washer	Carbon Steel
17	Handwheel Nut	Stainless Steel

## Application

- Industry
- Power Station's
- Flue gas purification plant
- Processing technology
- Gas supply
- Vapour facilities
- Thermal oil
- Recycling facilities
- Vacuum plant
- Ammonia
- Hot water
- Heating plant
- District heating
- Cooling and freezing systems
- General plant manufacturing
- Steam systems

## Pressure Temperature Rating

Nominal Pressure (PN)	40 kgf/cm <sup>2</sup>
Temperature	Normal
	≤ 200°C

## Dimensions

(mm)

Size (inch)	Height (open) H	Handwheel Dia. W	Face to Face L	Connection		Weight(kg)
				B	C	
1/2	155	100	79	22.2	9.6	2.2
3/4	155	100	92	27.7	12.7	2.4
1	193	125	111	34.5	12.3	4.2
1 1/4	256	160	152	42.9	12.7	7.6
1 1/2	256	160	152	49.1	12.7	8.5
2	284	180	172	61.1	15.9	10.2