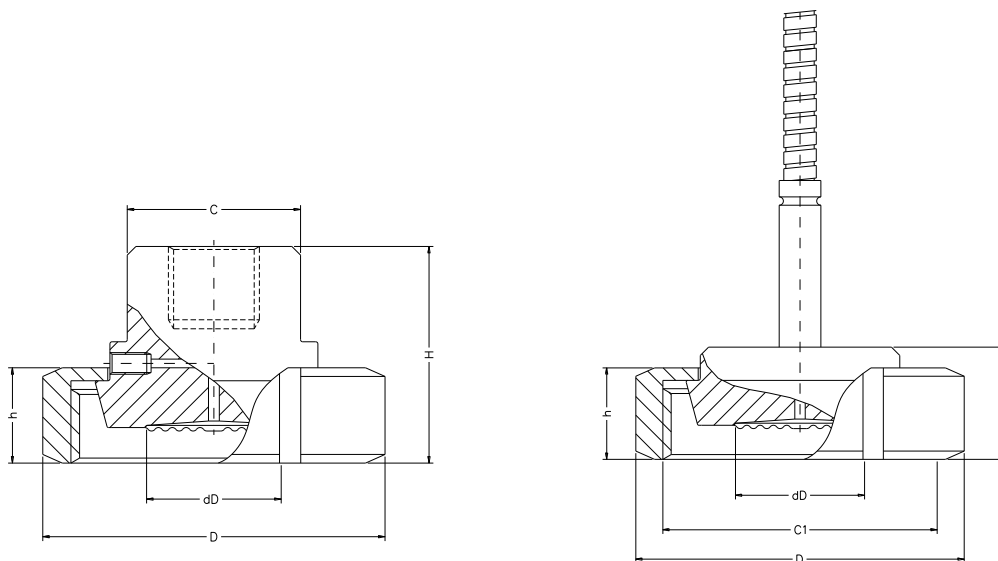


Badotherm sanitary seals are designed for pressure, level and (dP)flow measurements in food and pharmaceutical industries where the formation of bacteria needs to be prevented by reducing or eliminating blind spaces where process product could remain and thus creating impurities, bacteria by e.g. fermentation. As such these seals allow for easy cleaning by means of either threaded or clamp quick couplings. These seals are standard in stainless steel AISI 316(L), very exceptionally these industries require special wetted parts such as C-276. Obviously the selected fill fluid for this type of seals must meet FDA and other regulations, as such in the vast majority of applications, BSO-40 (see chapter III) is selected. All these seals and fill fluid are suitable for CIP (Cleaning In Process) applications. Other aseptic flanged sanitary connections are available on request.


**STANDARD EXECUTION – SAF / SAM**

DIAPHRAGM	BODY	SURFACE FINISH WETTED PARTS	MOUNTING CONNECTION
AISI316(L)	AISI316(L)	Ra < 0,8 µm	top (axial)

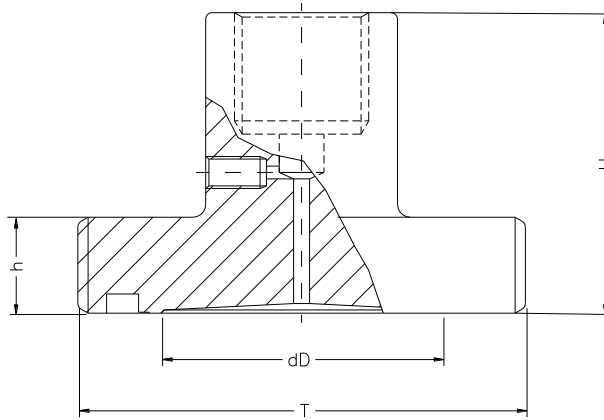
COUPLING NUT SAF  
AISI304

**FEMALE THREADED PROCESS CONNECTIONS - SAF**

**DIN 11851**

size	rating	dD	D	h	C1	H1
<b>DN25</b>	PN40	20mm	63	21	Rd52 x 1/6"	21
<b>DN32</b>	PN40	25mm	70	21	Rd58 x 1/6"	21
<b>DN40</b>	PN40	32mm	78	21	Rd65 x 1/6"	21
<b>DN50</b>	PN25	44mm	92	22	Rd78 x 1/6"	22
<b>DN80</b>	PN25	72mm	127	30	Rd110 x 1/6"	29

**SMS 1145**

size	rating	dD	D	h	C1	H1
<b>1,5"</b>	PN40	32mm	74	25	Rd60 x 1/6"	25
<b>2"</b>	PN40	25mm	84	26	Rd70 x 1/6"	26

**MALE THREADED PROCESS CONNECTIONS - SAM**

**DIN 11851**

size	rating	dD	h	T	H
<b>DN25</b>	PN40	20mm	15	Rd52 x 1/6"	50
<b>DN32</b>	PN40	25mm	15	Rd58 x 1/6"	50
<b>DN40</b>	PN40	32mm	15	Rd65 x 1/6"	50
<b>DN50</b>	PN25	44mm	15	Rd78 x 1/6"	50
<b>DN80</b>	PN25	72mm	21	Rd110 x 1/6"	50

All dimensions in mm

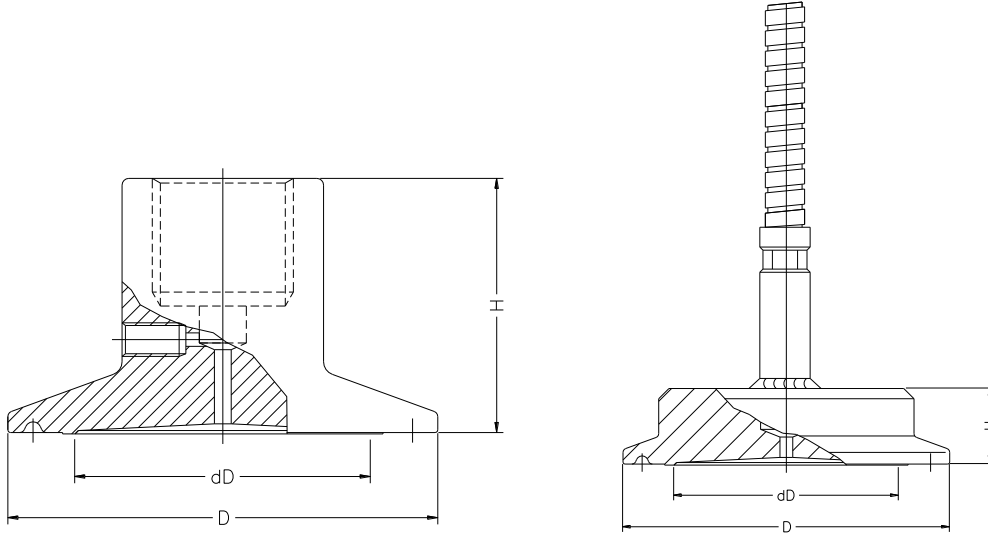
**SMS 1145**

size	rating	dD	h	C1	H
<b>1,5"</b>	PN40	32mm	15	Rd60*1/6	50
<b>2"</b>	PN40	25mm	15	Rd70*1/6	50

All dimensions in mm

**DATA SHEET**
**SA – SANITARY TYPES**
**STANDARD EXECUTION – SAT**

<b>DIAPHRAGM</b>	<b>BODY</b>	<b>SURFACE FINISH WETTED PARTS</b>	<b>MOUNTING CONNECTION</b>
AISI316(L)	AISI316(L)	Ra < 0,8 µm	top (axial)

**CLAMP PROCESS CONNECTIONS – SAT**

**TRI-CLAMP ISO - 2852**

size	DN	rating	dD	D	H <sub>thread</sub>	H <sub>capillary</sub>
<b>1,5"</b>	25	PN40	32mm	51	38	15
<b>2"</b>	40	PN40	44mm	64	38	15
<b>2,5"</b>	63.5	PN25	52mm	78	31	15
<b>3"</b>	76.1	PN25	72mm	91	31	15
<b>4"</b>	101.6	PN25	81mm	119	31	15

\* for maximum pressure rating refer to the clamp specifications; dimensions suitable for pipe per ISO 2037 and BS 4825 part 1

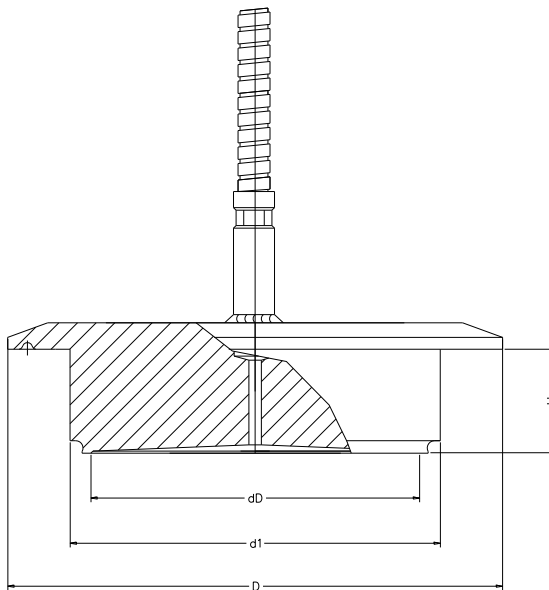
**TRI-CLAMP DN 32676**

size	rating	dD	D	H <sub>thread</sub>	H <sub>capillary</sub>
<b>25</b>	PN40	32mm	51	38	15
<b>40</b>	PN40	44mm	64	38	15
<b>65</b>	PN25	52mm	78	31	15
<b>80</b>	PN25	72mm	91	31	15
<b>100</b>	PN25	81mm	119	31	15

for maximum pressure rating refer to the clamp specifications.; dimensions suitable for pipe acc DIN 11866 row A or DIN 11850 row 2

**DATA SHEET**
**SA – SANITARY TYPES**
**STANDARD EXECUTION – TS**

<b>DIAPHRAGM</b>	<b>BODY</b>	<b>SURFACE FINISH WETTED PARTS</b>	<b>MOUNTING CONNECTION</b>
AISI316(L)	AISI316(L)	Ra < 0,8 µm	top (axial)

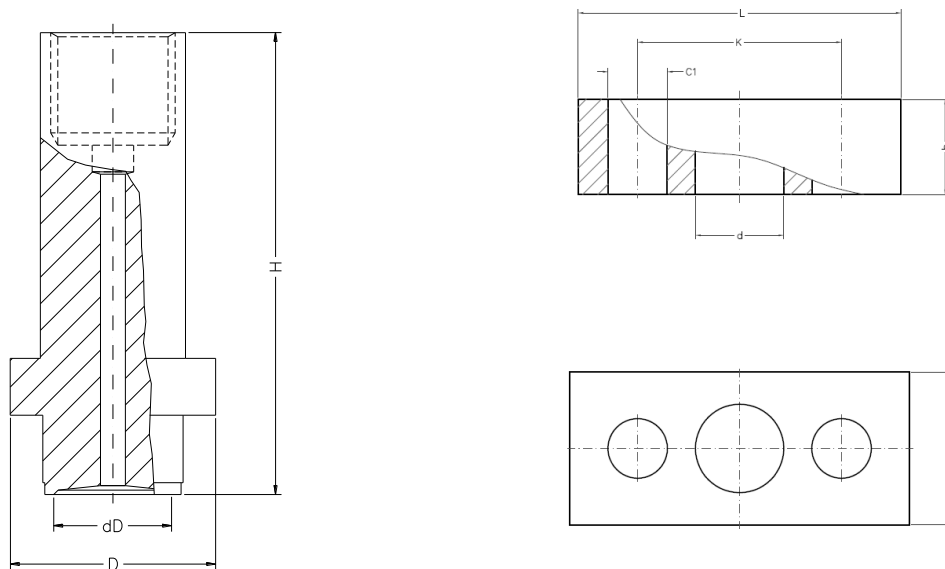
**CLAMP PROCESS CONNECTIONS – SA-TS**

**TANK SPUD**

Extension length	rating	dD	D	d1	H
2"	PN40	81mm	133	100	51
6"	PN40	81mm	133	100	152

STANDARD EXECUTION – SA-HOM

DIAPHRAGM AISI316(L)	BODY AISI316(L)	SURFACE FINISH WETTED PARTS Ra < 0,8 µm	MOUNTING CONNECTION top (axial)
-------------------------	--------------------	--	------------------------------------

HOMOGENISER PROCESS CONNECTIONS – SA-HOM



size	rating	dD	D	H	f	d	C1	K	Lxh
Block 95x45	PN600	20mm	33.5	93	13.5	22	17.5	60	95x45



Holland – United Kingdom – Romania – India – Thailand – Dubai - USA

To our knowledge, the information contained herein is accurate as of the date of this document. However neither Badotherm, nor its affiliates makes any warranty, express or limited, or accepts any liability in connection with this information or its use. This information is for technical skilled persons at their own discretion and risk and does not relate to the use of this product in combination with any other product. The user alone finally determines suitability of any information or material in contemplated use, the manner of use and whether any patents are infringed. This information gives typical properties only.

Badotherm reserves the right to make changes to the specifications and materials without prior notice. The latest version of the datasheet can be found on [www.badotherm.com](http://www.badotherm.com).

© 2001 Badotherm, all rights reserved. Trademarks and/or other products referenced herein are either trademarks or registered trademarks of Badotherm.