

The PS construction is designed for those applications where the process is very viscous and/or containing parts that might obstruct the process connection of the instrument. Typical applications can be found in pulp & paper industries and waste water treatment. The PS is a single part construction. PS is typically used in combination with pressure transmitters and gauges for pressure measurement.


**STANDARD EXECUTION**

DIAPHRAGM	BODY	MOUNTING CONNECTION
AISI316(L)	AISI316(L)	top (axial)

**THREADED PROCESS CONNECTIONS**
**NPT**

size		mwp	dD
1/2"	Male	600 bar	17mm
3/4"	Male	600 bar	20mm
1"	Male	600 bar	25mm
1,5"	Male	400 bar	32mm
2"	Male	280 bar	44mm

**BSP – ISO 228**

size		mwp	dD
1/2"	Male	600 bar	17mm
3/4"	Male	600 bar	20mm
1"	Male	600 bar	25mm
1,5"	Male	400 bar	32mm
2"	Male	280 bar	44mm

**WETTED PARTS, BODY MATERIALS, AND THREADS**

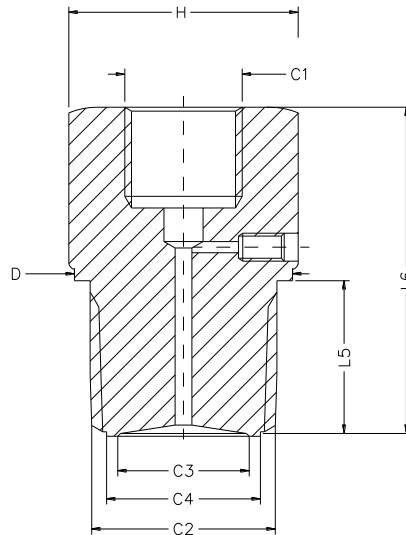
diaphragm mat.	body material
AISI 316(L)	AISI 316(L)
Hastelloy C-276	
Hastelloy C-276	Hastelloy C-276
Duplex 2205	Super Duplex / Duplex
Monel 400	Monel 400

threads
NPT
BSP
BSPT
UNF
METRIC

**OTHER OPTIONS**

Tantalum wetted parts

DRAWING AND DIMENSIONS STANDARD EXECUTIONS



C2	C1	C3	C4	H	D	L5	L6
1/2" Male	1/2" BSP-f	14	17	SW 27	30	27	47
3/4" Male	1/2" BSP-f	20	23	SW 32	32	28	52
1" Male	1/2" BSP-f	24	28	SW 46	45	28	58
1.5" Male	1/2" BSP-f	35	42	SW 46	55	34	64
2" Male	1/2" BSP-f	44	47	SW 54	62	37	65

All dimensions in mm



Holland – United Kingdom – Romania – India – Thailand – Dubai – USA

To our knowledge, the information contained herein is accurate as of the date of this document. However neither Badotherm, nor its affiliates makes any warranty, express or limited, or accepts any liability in connection with this information or its use. This information is for technical skilled persons at their own discretion and risk and does not relate to the use of this product in combination with any other product. The user alone finally determines suitability of any information or material in contemplated use, the manner of use and whether any patents are infringed. This information gives typical properties only.

Badotherm reserves the right to make changes to the specifications and materials without prior notice. The latest version of the datasheet can be found on [www.badotherm.com](http://www.badotherm.com).

© 2001 Badotherm, all rights reserved. Trademarks and/or other products referenced herein are either trademarks or registered trademarks of Badotherm.