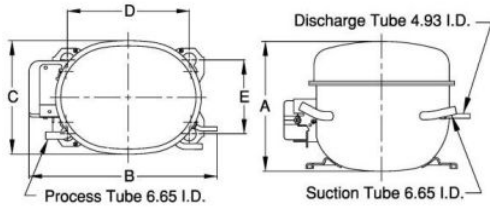


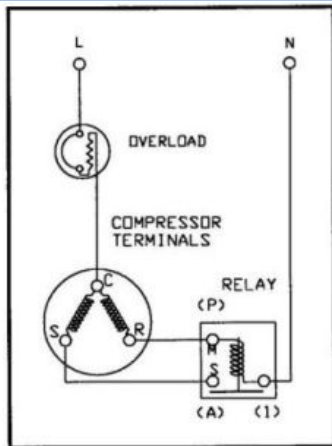


PRINCIPAL DIMENSIONS - mm



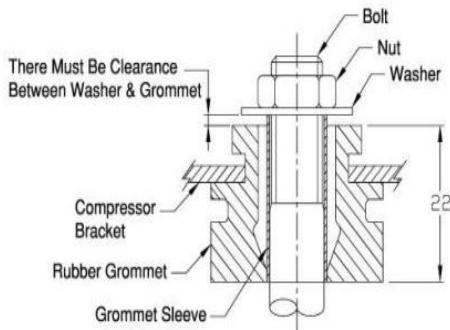
A: 172	B: 265	C: 155	D: 165	E: 102
--------	--------	--------	--------	--------

SCHEMATIC WIRING DIAGRAM R.S.I.R.



SCHEMATIC WIRING DIAGRAM -

MOUNTING KIT



Electrical : 220-240 V/50 Hz. 1 Phase

Nominal Performance

Capacity	158 / - Watts
	539 / - BTU/Hr
	136 / - Kcal/Hr
Power Input	140 / - Watts
Locked Rotor Amps	12.00 / - Amps
Max Continuous Current	- / - Amps
Rated Load Amps	1.00 / - Amps
COP	1.13 / - Watts / Watts
EER	3.85 / - BTU/W-Hr

Testing Conditions

Condensing Temperature	54.40 °C	129.9 °F
Evaporating Temperature	-23.30 / - °C	-9.9 / - °F
Liquid Temperature	32.20 °C	90.0 °F
Return Gas Temperature	32.20 °C	90.0 °F
Ambient Temperature	32.20 °C	90.0 °F

Application

Evaporating Temp. Range	LBP	@ -34.40 °C to -12.20 °C (-29.9° F to 10.0° F)
	Heat Pump	- °C to - °C (-° F to -° F)
Refrigerant	R134a	
Refrigerant Flow Control	Capillary Tube	
Compressor Cooling	Natural Convection	

Compressor and Motor data

Compressor Type	Reciprocating
Displacement	6.91 cc.
Oil Type	Polyolester Oil
Oil Charge	300 cc.
Motor Type	R.S.I.R. ; 2 Pole 2,880 / - r/m
Voltage Range	187 - 264/- Volts 50/- Hz.
Winding Resistance at 25 °C	
Start	28.61 Ohms
Run	13.40 Ohms
Weight with Oil	9.59 Kg.
Weight with Oil and Accessories	9.74 Kg.

Electrical Components

Motor Protector	
Type	External 3/4"
Model Number	KME 660-7/C
Open / Close	90-100 / 70-52 °C
1st Cycle trip at 25 °C	- Amps(main) 10.20 Amps(start)

Motor Starter	
Type	Current Relay
Model Number	KME 681-17
Pick Up (max.)	3.75 Amps
Drop Out (min.)	3.30 Amps
Terminal Cover	KMD 901-5
Start Capacitor	No µF No VAC.
Disch Resistor for Start Cap	No
Run Capacitor	No µF No VAC.

Mounting Kit

Rubber Grommet	KMD 905-3
Sleeve Grommet	KMD 903-2
Washer	KEB 387

Since we are constantly improving our product , the specification are subject to change without notice.

REV. DATE	C / N No.
30-05-12	0268/12

Certificate Marks

COMPRESSOR PERFORMANCE TABLE