



## Applications

IC 901 controllers are one-step devices which can be used for both heating and cooling applications.

## Common features

Front panel: IP65

Container: PC+ABS UL94 V-0 plastic resin casing, polycarbonate window, thermoplastic resin keys

Dimensions: front panel 74x32mm, depth 59mm

Installation: panel mounting with 71x29 mm (+0.2/-0.1 mm) drilling template

Operating temperature: -5...55°C

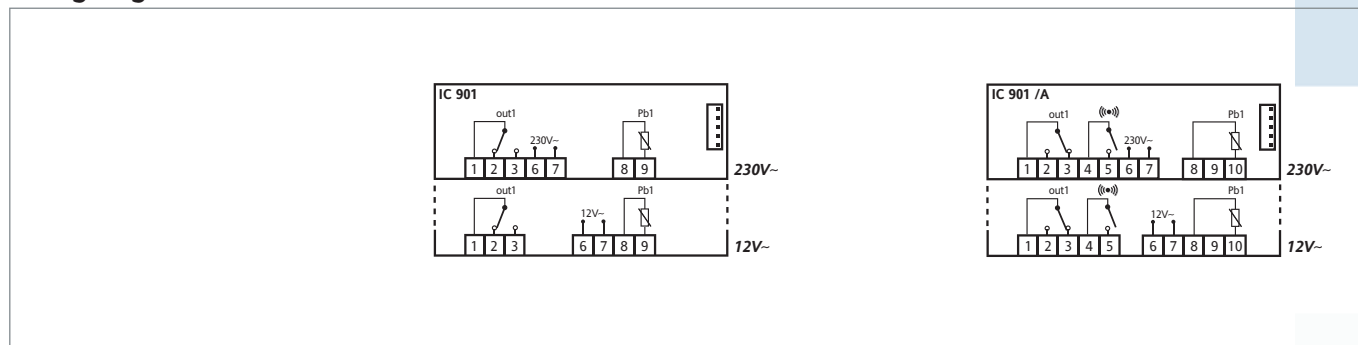
Storage temperature: -30...85°C

Ambient humidity for operation and storage: 10...90% RH (non-condensing)

General features	IC 901	IC 901/A
Display range:	<ul style="list-style-type: none"> <li>• NTC probe: -50...99°C</li> <li>• PTC probe: -50...99°C</li> </ul>	<ul style="list-style-type: none"> <li>• NTC probe: -50...99°C</li> <li>• PTC probe: -50...99°C</li> </ul>
Display:	no decimal point * 2 digits + sign	no decimal point * 2 digits + sign
Analogue inputs:	1 PTC or NTC *	1 PTC or NTC *
Connections:	TTL port for connection to Copy Card	TTL port for connection to Copy Card
Digital outputs:	1 SPDT 8(3)A 250V~ or 1 SPDT 16A 250V~	1 SPDT 8(3)A 250V~ 1 SPST 8(3)A 250V~ or 1 SPDT 15A 1hp 250V~
Measurement range:	from -50 to 99°C	from -50 to 99°C
Accuracy:	better than 0.5% of end of scale +1 digit	better than 0.5% of end of scale +1 digit
Resolution:	0.1 or 1°C	0.1 or 1°C
Power consumption:	<ul style="list-style-type: none"> <li>• 1.5W for model 12V~</li> <li>• 3W for model 230V~</li> </ul>	<ul style="list-style-type: none"> <li>• 1.5W for model 12V~</li> <li>• 3W for model 230V~</li> </ul>
Power supply:	<ul style="list-style-type: none"> <li>• 12V~, 12/24V~/±10% 50/60Hz</li> <li>• 230V~ ±10% 50/60Hz</li> </ul>	<ul style="list-style-type: none"> <li>• 12V~ ±10% 50/60Hz</li> <li>• 230V~ ±10% 50/60Hz</li> </ul>
Alarm:	not available	present

\*(selectable by parameter)

## Wiring diagram



## Codes

p/n	description	Relay	Probe	Power supply
IC11C00TCA700	IC 901 Cooling 8A	8A	PTC	230V
IC11C00THA700	IC 901 Heating 8A	8A	PTC	230V
IC16C00TCA700	IC 901 Cooling 16A	16A	PTC	230V
IC16C00THA700	IC 901 Heating 16A	16A	PTC	230V

## Codes

p/n	description	Relay	Probe	Power supply
IC11C00TCA400	IC 901 Cooling 8A	8A	PTC	12/24V~/±10%
IC1BC00TCA700	IC 901 Cooling 8/15A	PTC		230V