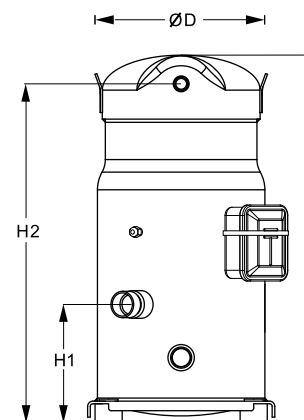


General Characteristics

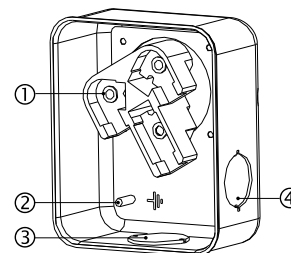
Model number (on compressor nameplate)		SM090S4VC
Code number for Singlepack*		SM090-4VI
Code number for Industrial pack**		SM090-4VM
Drawing number		8552036b
Suction and discharge connections		Brazed
Suction connection		1-1/8" ODF
Discharge connection		3/4" ODF
Oil sight glass		Threaded
Oil equalisation connection		3/8" flare SAE
Oil drain connection		None
LP gauge port		Schrader
IPR valve		None
Swept volume		120,5 cm ³ /rev
Displacement @ Nominal speed		21.0 m ³ /h @ 2900 rpm - 25.3 m ³ /h @ 3500 rpm
Net weight		65 kg
Oil charge		3,25 litre, Mineral - 160P
Maximum system test pressure Low Side / High side		25 bar(g) / 32 bar(g)
Maximum differential test pressure		24 bar
Maximum number of starts per hour		12
Refrigerant charge limit		8,5 kg
Approved refrigerants		R22, R417A-160SZ

Dimensions


D=254 mm
H=508 mm
H1=141,9 mm
H2=464,5 mm

Electrical Characteristics

Nominal voltage	380-400V/3/50Hz - 460V/3/60Hz
Voltage range	340-440 V @ 50Hz - 414-506 V @ 60Hz
Winding resistance (between phases) +/- 7% at 25°C	1.48 #
Rated Load Amps (RLA)	13.2 A
Maximum Continuous Current (MCC)	18.5 A
Locked Rotor Amps (LRA)	98 A
Motor protection	Internal overload protector

Terminal box


IP54 (with cable gland)
1: Power connection, 3 x 4.8 mm (3/16")
2: Earth M4-12
3: Knock-out Ø 29 mm (1.14")
4: Knock-out Ø 25.5 mm (1.00")

Recommended Installation torques

Oil sight glass	50 Nm
Power connections / Earth connection	3 Nm / 2 Nm
Mounting bolts	21 Nm

Parts shipped with compressor

Mounting kit with grommets, bolts, nuts, sleeves and washers
Initial oil charge
Installation instructions

Approvals : CE certified, UL certified (file SA6873), -

*Singlepack: Compressor in cardboard box

**Industrial pack: 8 Unboxed compressors on pallet (order per multiples of 8)

Performance data at 50 Hz, EN 12900 rating conditions
R22

Cond. temp. in °C (tc)	Evaporating temperature in °C (to)							
	-20	-15	-10	-5	0	5	10	15

Cooling capacity in W

30	8 548	10 773	13 378	16 401	19 876	23 838	28 323	33 366	-
35	8 048	10 217	12 752	15 688	19 062	22 907	27 260	32 156	-
40	7 526	9 630	12 085	14 927	18 191	21 911	26 123	30 863	-
45	-	9 005	11 369	14 105	17 247	20 831	24 890	29 461	-
50	-	-	10 616	13 238	16 250	19 688	23 587	27 982	-
55	-	-	-	12 315	15 187	18 469	22 197	26 404	-
60	-	-	-	-	14 054	17 169	20 712	24 719	-
65	-	-	-	-	12 867	15 805	19 156	22 954	-

Power input in W

30	3 895	3 930	3 961	3 985	4 000	4 004	3 995	3 971	-
35	4 324	4 357	4 384	4 405	4 415	4 414	4 399	4 368	-
40	4 810	4 840	4 863	4 879	4 884	4 877	4 856	4 817	-
45	-	5 383	5 402	5 413	5 413	5 399	5 371	5 324	-
50	-	-	6 007	6 012	6 006	5 986	5 949	5 895	-
55	-	-	-	6 682	6 669	6 641	6 597	6 533	-
60	-	-	-	-	7 407	7 371	7 318	7 246	-
65	-	-	-	-	8 225	8 182	8 120	8 037	-

Current consumption in A

30	9.14	9.19	9.23	9.26	9.28	9.28	9.26	9.22	-
35	9.60	9.65	9.69	9.71	9.72	9.71	9.69	9.63	-
40	10.15	10.19	10.22	10.24	10.24	10.23	10.19	10.13	-
45	-	10.82	10.85	10.86	10.85	10.83	10.78	10.70	-
50	-	-	11.57	11.57	11.56	11.53	11.47	11.38	-
55	-	-	-	12.40	12.38	12.33	12.26	12.16	-
60	-	-	-	-	13.30	13.25	13.16	13.05	-
65	-	-	-	-	14.36	14.29	14.19	14.07	-

Mass flow in kg/h

30	184	229	281	340	407	482	567	662	-
35	180	226	278	337	405	481	566	661	-
40	176	221	274	334	402	478	564	659	-
45	-	216	269	329	397	474	560	655	-
50	-	-	263	324	392	468	554	650	-
55	-	-	-	316	384	461	547	642	-
60	-	-	-	-	375	452	537	632	-
65	-	-	-	-	364	440	525	620	-

Coefficient of performance (C.O.P.)

30	2.19	2.74	3.38	4.12	4.97	5.95	7.09	8.40	-
35	1.86	2.34	2.91	3.56	4.32	5.19	6.20	7.36	-
40	1.56	1.99	2.49	3.06	3.72	4.49	5.38	6.41	-
45	-	1.67	2.10	2.61	3.19	3.86	4.63	5.53	-
50	-	-	1.77	2.20	2.71	3.29	3.96	4.75	-
55	-	-	-	1.84	2.28	2.78	3.36	4.04	-
60	-	-	-	-	1.90	2.33	2.83	3.41	-
65	-	-	-	-	1.56	1.93	2.36	2.86	-

Nominal performance at to = 5 °C, tc = 50 °C

Cooling capacity	19 688	W
Power input	5 986	W
Current consumption	11.53	A
Mass flow	468	kg/h
C.O.P.	3.29	

Pressure switch settings

Maximum HP switch setting	28	bar(g)
Minimum LP switch setting	0.5	bar(g)
LP pump down setting	1.3	bar(g)

Sound power data

Sound power level	70	dB(A)
With acoustic hood	62	dB(A)

to: Evaporating temperature at dew point

tc: Condensing temperature at dew point

Rating conditions : Superheat = 10 K , Subcooling = 0 K

All performance data +/- 5%

Danfoss can accept no responsibility for possible errors in catalogues, brochures and other printed material. Danfoss reserves the right to alter its products without notice. This also applies to products already on order provided that such alternations can be made without subsequential changes being necessary in specifications already agreed. All trademarks in this material are property of the respective companies. Danfoss, the Danfoss logotype and Performer are trademarks of Danfoss A/S. All rights reserved.

Performance data at 50 Hz, ARI rating conditions

R22

Cond. temp. in °C (tc)	Evaporating temperature in °C (to)							
	-20	-15	-10	-5	0	5	10	15

Cooling capacity in W

30	9 070	11 421	14 173	17 362	21 026	25 200	29 921	35 227	-
35	8 570	10 870	13 556	16 664	20 232	24 296	28 892	34 058	-
40	8 044	10 283	12 893	15 911	19 374	23 317	27 779	32 794	-
45	-	9 660	12 185	15 103	18 450	22 264	26 580	31 436	-
50	-	-	11 431	14 239	17 462	21 136	25 298	29 985	-
55	-	-	-	13 320	16 408	19 933	23 931	28 439	-
60	-	-	-	-	15 290	18 655	22 479	26 799	-
65	-	-	-	-	14 106	17 303	20 944	25 065	-

Power input in W

30	3 895	3 930	3 961	3 985	4 000	4 004	3 995	3 971	-
35	4 324	4 357	4 384	4 405	4 415	4 414	4 399	4 368	-
40	4 810	4 840	4 863	4 879	4 884	4 877	4 856	4 817	-
45	-	5 383	5 402	5 413	5 413	5 399	5 371	5 324	-
50	-	-	6 007	6 012	6 006	5 986	5 949	5 895	-
55	-	-	-	6 682	6 669	6 641	6 597	6 533	-
60	-	-	-	-	7 407	7 371	7 318	7 246	-
65	-	-	-	-	8 225	8 182	8 120	8 037	-

Current consumption in A

30	9.14	9.19	9.23	9.26	9.28	9.28	9.26	9.22	-
35	9.60	9.65	9.69	9.71	9.72	9.71	9.69	9.63	-
40	10.15	10.19	10.22	10.24	10.24	10.23	10.19	10.13	-
45	-	10.82	10.85	10.86	10.85	10.83	10.78	10.70	-
50	-	-	11.57	11.57	11.56	11.53	11.47	11.38	-
55	-	-	-	12.40	12.38	12.33	12.26	12.16	-
60	-	-	-	-	13.30	13.25	13.16	13.05	-
65	-	-	-	-	14.36	14.29	14.19	14.07	-

Mass flow in kg/h

30	184	228	279	338	405	480	564	658	-
35	179	224	276	335	402	478	563	657	-
40	175	220	273	332	399	475	560	655	-
45	-	215	268	328	395	471	557	652	-
50	-	-	262	322	390	466	551	646	-
55	-	-	-	315	382	459	544	639	-
60	-	-	-	-	373	449	534	629	-
65	-	-	-	-	362	438	522	616	-

Coefficient of performance (C.O.P.)

30	2.33	2.91	3.58	4.36	5.26	6.29	7.49	8.87	-
35	1.98	2.49	3.09	3.78	4.58	5.50	6.57	7.80	-
40	1.67	2.12	2.65	3.26	3.97	4.78	5.72	6.81	-
45	-	1.79	2.26	2.79	3.41	4.12	4.95	5.90	-
50	-	-	1.90	2.37	2.91	3.53	4.25	5.09	-
55	-	-	-	1.99	2.46	3.00	3.63	4.35	-
60	-	-	-	-	2.06	2.53	3.07	3.70	-
65	-	-	-	-	1.71	2.11	2.58	3.12	-

Nominal performance at to = 7.2 °C, tc = 54.4 °C

Cooling capacity	21 788	W
Power input	6 542	W
Current consumption	12.20	A
Mass flow	496	kg/h
C.O.P.	3.33	

Pressure switch settings

Maximum HP switch setting	28	bar(g)
Minimum LP switch setting	0.5	bar(g)
LP pump down setting	1.3	bar(g)

Sound power data

Sound power level	70	dB(A)
With acoustic hood	62	dB(A)

to: Evaporating temperature at dew point

tc: Condensing temperature at dew point

Rating conditions : Superheat = 11.1 K , Subcooling = 8.3 K

All performance data +/- 5%

Danfoss can accept no responsibility for possible errors in catalogues, brochures and other printed material. Danfoss reserves the right to alter its products without notice. This also applies to products already on order provided that such alternations can be made without subsequential changes being necessary in specifications already agreed. All trademarks in this material are property of the respective companies. Danfoss, the Danfoss logotype and Performer are trademarks of Danfoss A/S. All rights reserved.

