

Why people choose Y's TD-10NA series disc trap. It's because our disc trap is "Multum in parvo" and can be used in various ways, such as heating system, general industrial use, removing steam condensate in the piping, and so on.

Features

- (1) TD-10NA series employs a bimetal ring, it can remove any air troubles, and it also immediately emits cold water and air at the time of starting the apparatus.
- (2) Disc and valve seat made of stainless steel with a special heat treatment ensure extremely long service life.
- (3) Disc and valve seat can be easily replaced without removing the body from the piping.
- (4) Containing only one moving part "the disc" and the simplicity of the disc trap makes maintenance easy.
- (5) Despite of compact, lightweight and moderate price, the operating pressure range is considerably wide and pressure adjustment is unnecessary.
- (6) The disc trap can be mounted in any position between horizontal and vertical.
- (7) The insulation cover equipped with as standard and maintains smooth function.
- (8) No additional strainer is needed because 60 mesh strainer is built-in the trap.
- (9) Even with its compact size, it features a large discharge capacity.



TD-10NA

Specification

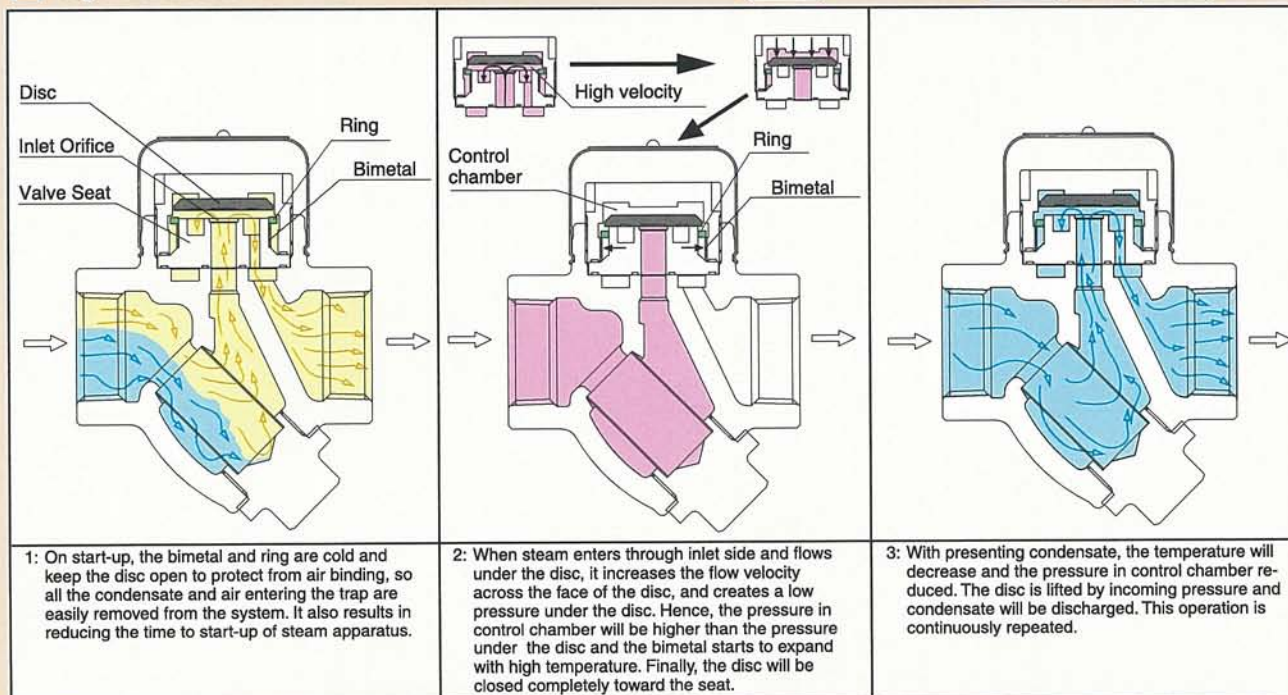
Model	TD-10NA	TD-30NA	
Application	Steam condensate		
Operating Pressure	0.035~2.0MPa	0.035~1.0MPa	0.035~2.0MPa
	{0.35~20kgf/cm ² G}	{0.35~10kgf/cm ² G}	{0.35~20kgf/cm ² G}
Allowable Back Pressure	Less than 50% of inlet pressure		
Maximum Temperature	220°C		
Material	Body	Ductile cast iron	
	Disc / Valve Seat	Stainless steel	
Connection	JIS Rc (PT) Screwed	JIS 10KFF Flanged	JIS 20KFF Flanged



TD-30NA

Operation

Blue Condensate Yellow Air Red Steam



Bi-Protection

"Bimetal ring" has ability to prevent Air Binding

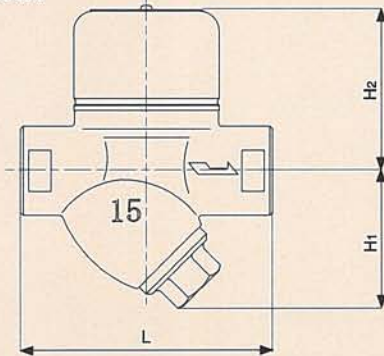
If the inlet pressure should rise up too fast in the starting time, due to high-speed air, a trap will be closed by the same principle as steam, and an "air binding" will occur. This big fault is cancelled with the combination of the ring, valve seat, and the bimetal starts to expand and flex with increasing temperature. Such combination enables prompt discharge of cold water and air off at starting, and also results in efficient start-up of steam apparatus.

"Insulation cover" for long durability and stable operation

When installed under cold ambient conditions, steam in chamber condensates faster than usual. This could cause life of disc and valve seat shorten, due to too much wear by frequent on-off. To avoid the said fault, the insulation cover, equipped with as standard part, prolongs condensation time of steam in chamber, and the frequent on-off operation of a disc is suppressed, and long durability is maintained. In addition, stable operation is obtained despite a drop in outside temperature.

■ Dimensions & Weight

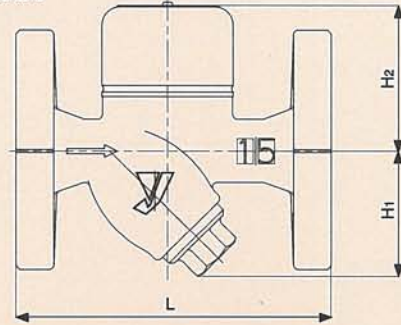
TD-10NA



(mm)

Size	L	H ₁	H ₂	Weight(kg)
15A	90	49	58.5	0.9
20A	90	53	60.5	1.2
25A	90	56	62.5	1.4

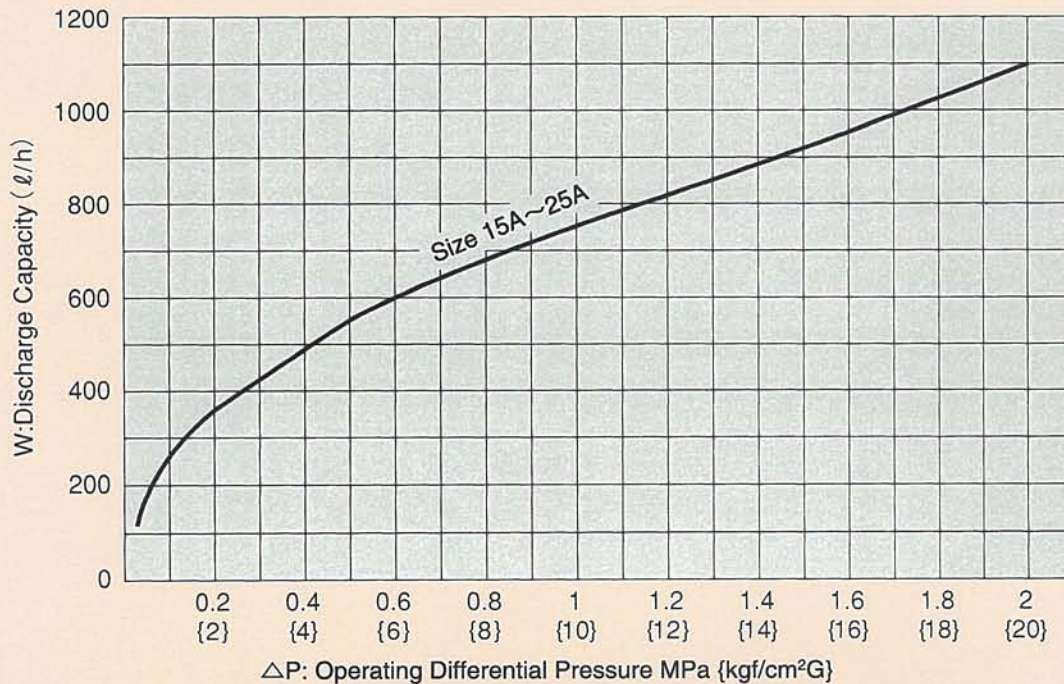
TD-30NA



(mm)

Size	L	H ₁	H ₂	Weight(kg)
15A	125	51	59	2.3
20A	140	54	63	3.4
25A	150	65	63	4.1

■ Maximum Continuous Discharge Capacity



※ Since the chart showing the maximum discharge capacity, please take sufficient safety ratio (about four to five times) in a design.



INTERNATIONAL DEPT.

7-3, Futano-cho, Mizuho-ku, Nagoya, 467-0861, Japan

Phone:(0081)52-881-7199 Fax:(0081)52-881-7201 E-mail:intntl@yoshitake.co.jp

Yoshitake reserves the right to change the materials or design of the products shown in this catalogue without prior notice.