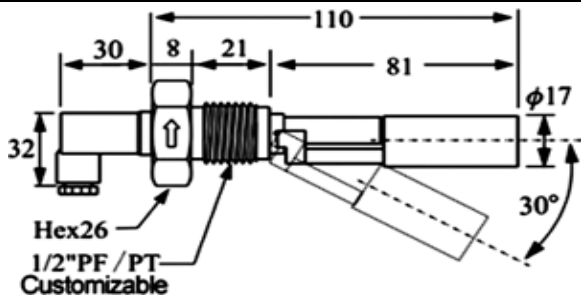


Mini Float Switch

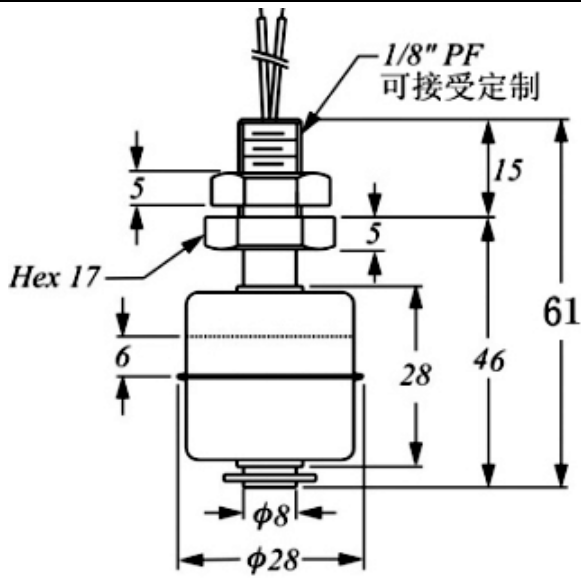


Model:KDMF-21	Model :KDMF-21S
Contact Capacity: AC220V/1A DC24V/0.5A	Contact Capacity: AC220V/1A DC24V/0.5A
Pressure rating: <=0.5 Mpa	Pressure rating: <=1.5 Mpa
Specific gravity: 0.7	Specific gravity: 0.7
Output: SPST NO/NC	Output: SPST NO/NC
Temperature rating: -20 ~ 80°C	Temperature rating: -20 ~ 160°C
Protection rating: IP68	Protection rating: IP68
Probe material: PP	Probe material: SUS304/SUS316L
Mounting type: M16	Mounting type: M20X1.5(Customizable)
Cable length: 500±10mm	Cable length: 500±10mm
Installation: Horizontal	Installation: Horizontal
Model:KDMF-31	Model:KDMF-31S
Contact Capacity: AC220V/1A DC24V/0.5A	Contact Capacity: AC220V/1A DC24V/0.5A
Pressure rating: <=0.5 Mpa	Pressure rating: <=1.5 Mpa
Specific gravity: 0.7	Specific gravity: 0.7
Output: SPST NO/NC	Output: SPST NO/NC
Temperature rating: -20 ~ 80°C	Temperature rating: -20 ~ 160°C
Protection rating: IP68	Protection rating: IP68
Probe material: PP	Probe material: SUS304/SUS316L
Mounting type: M20	Mounting type: 1/2"PF/PT(Customizable)
Cable length: 500±10mm	Cable length: 500±10mm
Installation: Horizontal	Installation: Horizontal

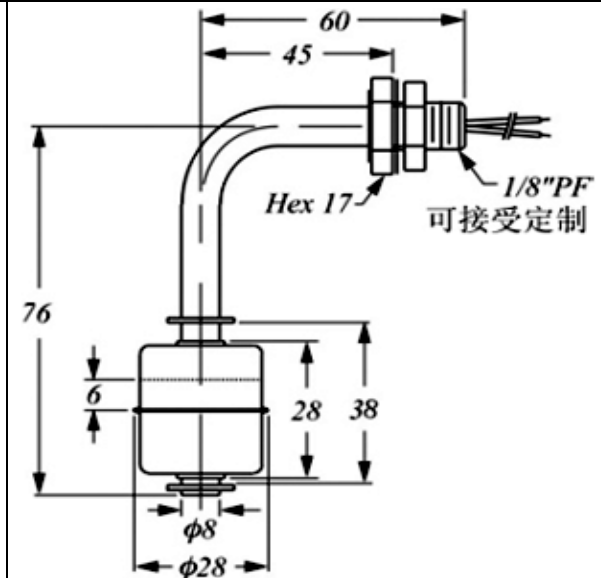


Model:KDMF-31SH

Contact Capacity: AC220V/1A DC24V/0.5A
 Pressure rating: <=1.5 Mpa
 Specific gravity: 0.7
 Output: SPST NO/NC
 Temperature rating: -20 ~ 110°C
 Protection rating: IP68
 Probe material: SUS304/SUS316L
 Body material: SUS304/SUS316L
 Mounting type: 1/2"PF/PT(Customizable)
 Cable length: 500±10mm (Hirschmann connection)
 Installation: Horizontal
 Anti-explosion: No



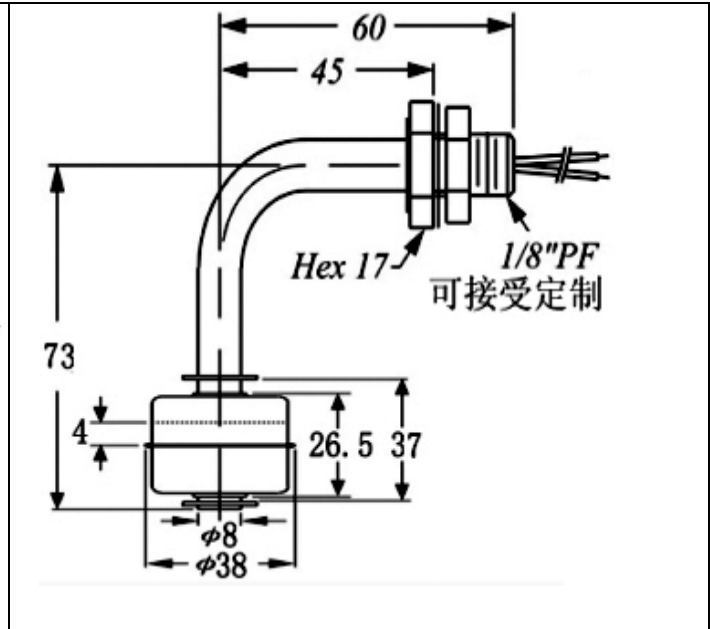
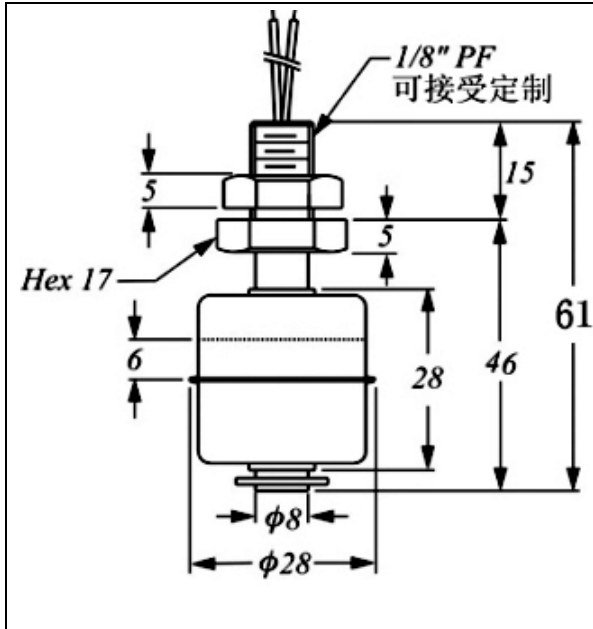
Model: KDMF-2801



Model:KDMF-2802

Contact Capacity: AC220V/1A DC24V/0.5A
 Pressure rating: <=1.5 Mpa
 Specific gravity: 0.7
 Output: SPST NO/NC
 Temperature rating: -20 ~ 130°C
 Protection rating: IP68
 Probe material: SUS304/SUS316L
 Body material: SUS304/SUS316L
 Mounting type: 1/8"PF(Customizable)
 Cable length: 500±10mm
 Installation: Vertical

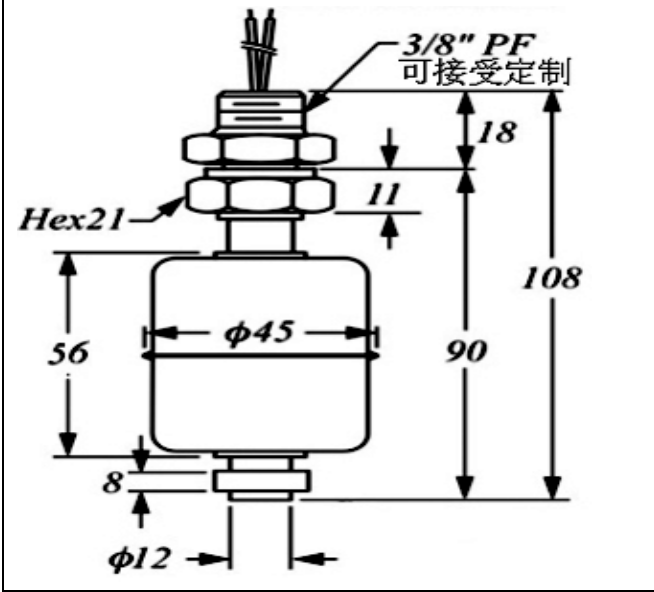
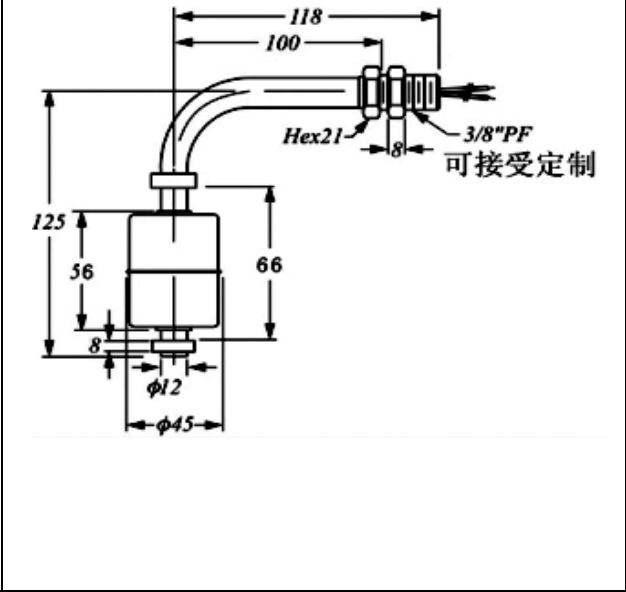
Anti-explosion: No

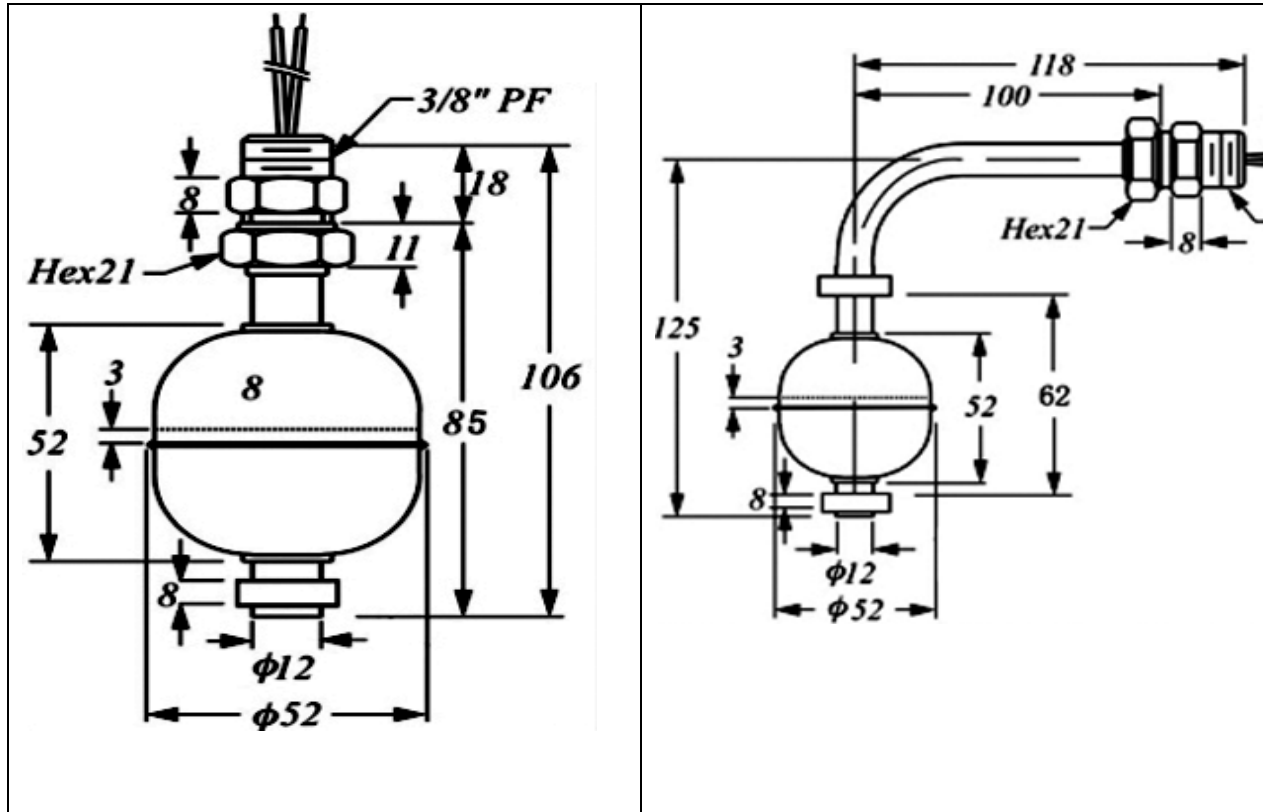


Model:KDMF-3801

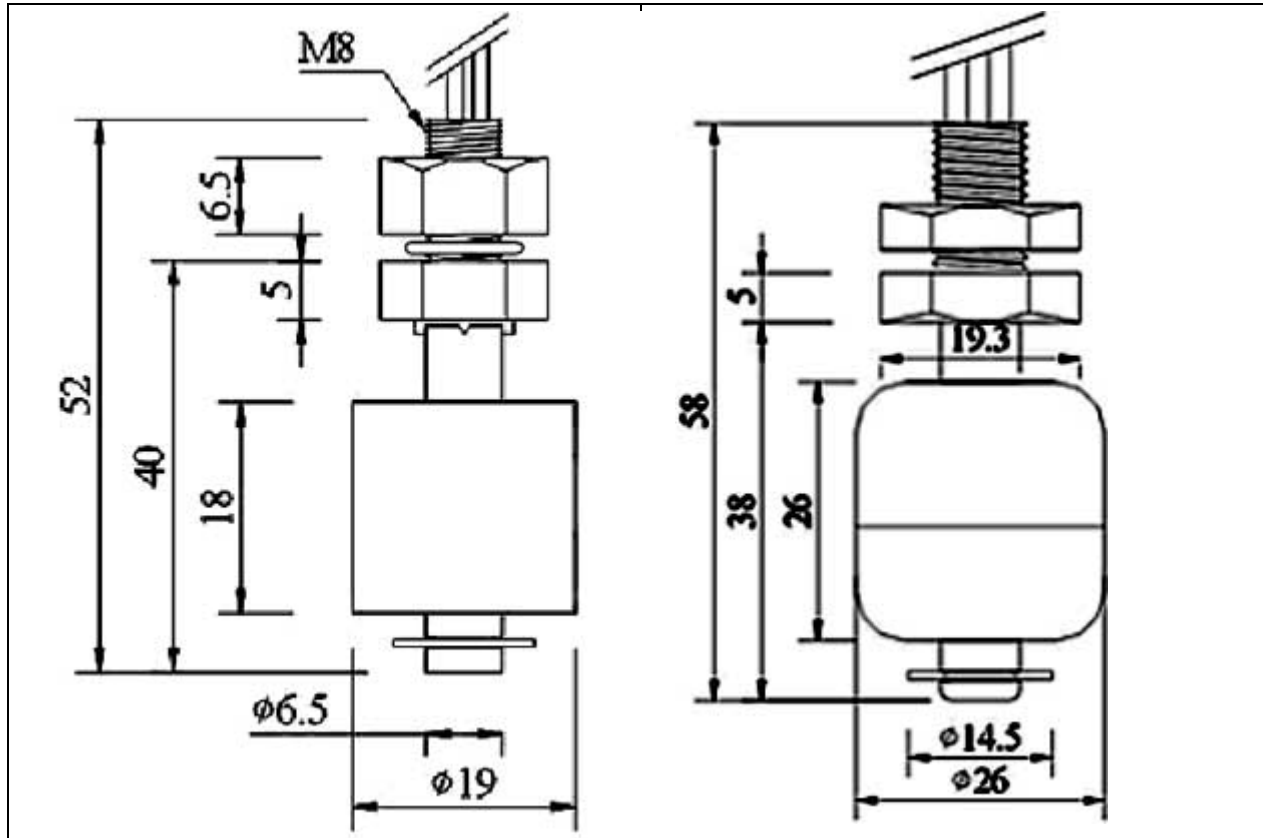
Model:KDMF-3802

Contact Capacity: AC220V/1A DC24V/0.5A
 Pressure rating: ≤ 2.0 Mpa
 Specific gravity: 0.7
 Output: SPST NO/NC
 Temperature rating: $-20 \sim 130^{\circ}\text{C}$
 Protection rating: IP68
 Probe material: SUS304/SUS316L
 Body material: SUS304/SUS316L
 Mounting type: 1/8"PF(Customizable)
 Cable length: 500 ± 10 mm
 Installation: Vertical
 Anti-explosion: No

	
Model:KDMF-4501	Model:KDMF-4502
Contact Capacity: AC220V/1A DC24V/0.5A	Contact Capacity: AC220V/1A DC24V/0.5A
Pressure rating: <=3.0 Mpa	Pressure rating: <=3.0Mpa
Specific gravity: 0.7	Specific gravity: 0.7
Output: SPST NO/NC	Output: SPST NO/NC
Temperature rating: -20 ~ 130°C	Temperature rating: -20 ~ 130°C
Protection rating: IP68	Protection rating: IP68
Probe material: SUS304/SUS316L	Probe material: SUS304/SUS316L
Body material: SUS304/SUS316L	Body material: SUS304/SUS316L
Mounting type: 3/8\"PF(Customizable)	Mounting type: 3/8\"PF(Customizable)
Cable length: 500±10mm	Cable length: 500±10mm
Installation: Vertical	Installation: Vertical
Anti-explosion: No	Anti-explosion: No



Model: KDMF-5201	Model: KDMF-5202
Contact Capacity: AC220V/1A DC24V/0.5A	Contact Capacity: AC220V/1A DC24V/0.5A
Pressure rating: <=3.0 Mpa	Pressure rating: <=3.0 Mpa
Specific gravity: 0.7	Specific gravity: 0.7
Output: SPST NO/NC	Output: SPST NO/NC
Temperature rating: -20 ~ 130°C	Temperature rating: -20 ~ 130°C
Protection rating: IP68	Protection rating: IP68
Probe material: SUS304/SUS316L	Probe material: SUS304/SUS316L
Body material: SUS304/SUS316L	Body material: SUS304/SUS316L
Mounting type: 3/8"PF(Customizable)	Mounting type: 3/8"PF(Customizable)
Cable length: 500±10mm	Cable length: 500±10mm
Installation: Vertical	Installation: Vertical
Anti-explosion: No	Anti-explosion: No



Model:KDMF-P19	Model:KDMF-P26
Contact Capacity: AC220V/1A DC24V/0.5A	Contact Capacity: AC220V/1A DC24V/0.5A
Pressure rating: <=0.5 Mpa	Pressure rating: <=0.5 Mpa
Specific gravity: 0.7	Specific gravity: 0.7
Output: SPST NO/NC	Output: SPST NO/NC
Temperature rating: -20 ~ 80°C	Temperature rating: -20 ~ 80°C
Protection rating: IP68	Protection rating: IP68
Probe material: PP	Probe material: PP
Body material: PP	Body material: PP
Mounting type: M8	Mounting type: M16
Cable length: 500±10mm	Cable length: 500±10mm
Installation: Vertical	Installation: Vertical
Anti-explosion: No	Anti-explosion: No