

ELECTRIC FORKLIFTS

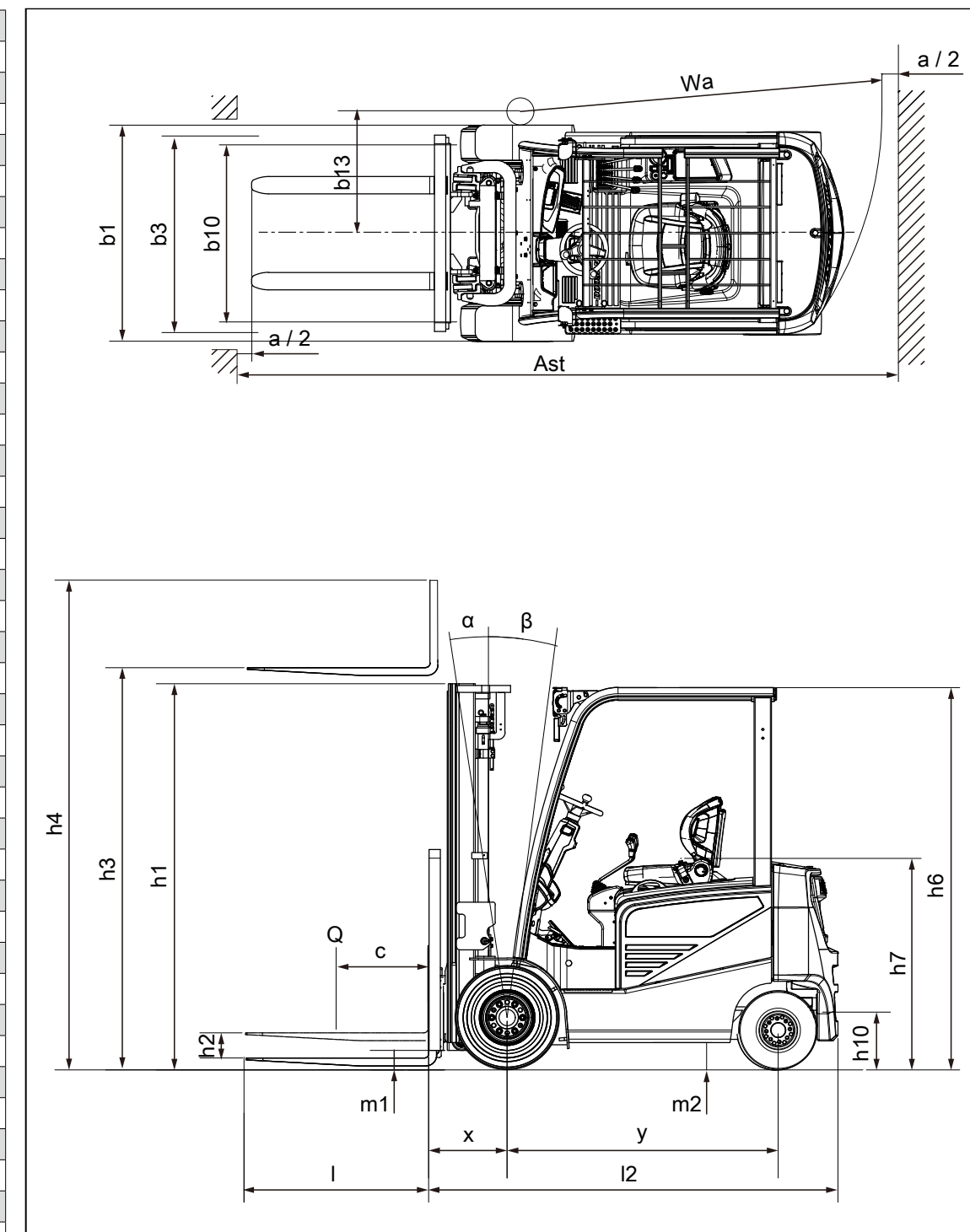
2.0 to 3.5 ton capacity 4wheel B20NS / B25NS / B30NS / B35NS



Technical Data according to VDI 2198

				Bobcat	Bobcat	Bobcat	Bobcat		
Characteristics	1.1	Manufacturer			Bobcat	Bobcat	Bobcat		
	1.2	Manufacturer's type designation			B20NS(Shoe)	B25NS(Shoe)	B30NS(Shoe)		
	1.3	Drive : electric(battery or mains) ,diesel, petrol ,fuel gas, manual			Electric	Electric	Electric		
	1.4	Operator type : hand, pedestrian, standing, seated, order-picker			Seated	Seated	Seated		
	1.5	Load capacity/rated load kg(lb)	kg	Q	2000	2500	3000	3500	
	1.6	Load centre distance	mm	c	500	500	500	500	
	1.8	Load distance, centre of drive axle to fork	mm	x	457	457	457	462	
	1.9	Wheelbase	mm	y	1560	1560	1710	1710	
	Weights	2.1	Service weight (with min. weight of battery)		kg	3810(3910)	4150(4250)	4746(4846)	5230(5330)
2.2		Axle loading, loaded front/rear		kg	5190/620(5164/746)	5979/671(5941/809)	6885/861(6958/888)	7760/970(7830/1000)	
2.3		Axle loading, unloaded front/rear		kg	1658/2152(1944/1966)	1830/2320(1915/2335)	2206/2540(2279/2567)	2288/2942(2360/2970)	
Wheels & Tyres	3.1	Tires: pneumatic (P), superelastic (SE), cushion (C) SE			P / SE	P / SE	P / SE	SE	
	3.2	Tire size, front			23X9-10	23X9-10	23x10-12	23x10-12	
	3.3	Tire size, rear			18x7-8	18x7-8	18x7-8	18x7-8	
	3.5	Wheels, number front/rear (x=driven wheels)			2x/2	2x/2	2x/2	2x/2	
	3.6	Tread width, front	mm	b10	1019	1019	1014	1014	
	3.7	Tread width, rear	mm	b11	995	995	995	995	
	Basic dimensions	4.1	Tilt of mast/fork carriage forward (α)/backward(β)		deg	α / β	6 / 10	6 / 10	6 / 10
4.2		Height, mast lowered		mm	h1	2045	2045	2045	
4.3		Free lift		mm	h2	150	150	150	
4.4		Lift (with STD 2-stage mast)		mm	h3	3000	3000	3000	
4.5		Height, mast extended		mm	h4	4247	4247	4252	
4.7		Height to top of overhead guard		mm	h6	2180	2180	2180	
4.8		Seat height/stand height		mm	h7	1183	1183	1183	
4.12		Towing coupling height		mm	h10	360	360	360	
4.19		Overall length		mm	l1	3360	3400	3570	3600
4.2		Length to face of forks		mm	l2	2310	2350	2520	2550
4.21		Overall width		mm	b1	1244(1300)	1244(1300)	1244(1300)	1244(1300)
4.22		Fork dimensions		mm	s / e / l	45/100/1050	45/100/1050	45/122/1050	50/122/1050
4.23		Fork carriage ISO 2328. Class/type A, B				II	II	III	III
4.24		Fork carriage width		mm	b3	1102	1102	1116	1116
4.24a		Fork Spacing (min/max)		mm		250/1032	250/1032	272/1104	272/1104
4.31		Ground clearance, with load, below mast		mm	m1	140	140	140	140
4.32		Ground clearance, centre of wheelbase		mm	m2	125	125	125	125
4.34.1		Aisle width for pallets 1000 x 1200 crossways		mm	Ast	3697	3717	3957	3962
4.34.1		Aisle width for pallets 800 x 1200 lengthways		mm	Ast	3897	3917	4157	4162
4.35	Turning radius		mm	Wa	2040	2060	2300	2300	
4.36	Internal turning radius		mm	b13	650	650	677	677	
Performance	5.1	Travel speed, loaded / unloaded		km/h		14/15	14/15	14/15	
	5.2	Lift speed, loaded / unloaded		mm/s		320/450	300/450	280/400	
	5.3	Lowering speed, loaded / unloaded		mm/s		500/460	500/460	380/365	
	5.6	Maximum drawbar pull, loaded / unloaded, 5 minute rating		N		10910 / 10500	10910 / 10700	14460 / 13560	
	5.8	Maximum gradeability, loaded / unloaded, 5 minute rating		%		15 / 27	15 / 25	15 / 27	
	5.10	Service brake		Entry/Standard	Mechanical (Shoe) / Electric				
	Parking brake		Entry/Standard	Mechanical / EPB(Electronic parking brake)					
Electric	6.1	Drive motor rating S2 60 minute		kW	Entry/Standard	11/9	11/9	16.6/12	
	6.2	Lifting motor rating at S3 15%		kW		12/14	12/14	13.5/16	
	6.3	Battery type				Lead-acid	Lead-acid	Lead-acid	
	6.4	Battery voltage/nominal capacity K		V/Ah		48/600	48/600	80/420	
	6.5	Battery weight		kg		1000	1000	1582	
	Battery Compartment L/W/H		mm		570x1028x755	570x1028x755	710x1028x745		
Others	8.1	Type of drive control unit				AC	AC	AC	
	10.1	Working press for attachments		bar	System	200	200	200	
					Attachment	200	200	200	
10.7	Sound level at the driver's ear according to EN 12 053		dB (A)		68	68	68		

DIMENSIONAL DRAWING



multico
Asia's Equipment Specialist

Multico Equipment Indonesia, PT
Plaza Kelapa Gading Blok C No. 12 Jl. Raya Boulevard Barat,
Kelapa Gading, Jakarta Utara, 14240
Phone: +62 21 4585 1122 / Fax: +62 21 2245 5028
www.multicoequipmentid.com

*Please refer to the technical bulletin and contact your Bobcat representative for more detail information of battery size.
This specification sheet to VDI guideline 2198 only gives the technical figures for the standard truck. Different tires, other masts, additional equipment etc. could give different figures.

MAST SPECIFICATIONS and RATED CAPACITIES

Model	Mast Type	Max. Fork Height	Mast Lowered Height	Extended Height		Free lift		Pneumatic Tire			Solid Soft Tire		
				w/ Load Backrest	w/o Load Backrest	w/ Load Backrest	w/o Load Backrest	Tile Angle		Load Capacity	Tile Angle		Load Capacity
				mm	mm	mm	mm	Fwd deg	Bwd deg	LC 500mm kg	Fwd deg	Bwd deg	LC 500mm kg
B20NS	STD	3000	2045	4247	3790	150	150	6	10	2000	6	10	2000
		3300	2195	4547	4090	150	150	6	10	2000	6	10	2000
		3500	2295	4747	4290	150	150	6	10	2000	6	10	2000
		4000	2595	5347	4890	150	150	6	6	2000	6	6	2000
		4500	2845	5847	5390	150	150	6	6	1900	6	6	1950
		5000	3095	6347	5890	150	150	6	6	1700	6	6	1800
	FFL	2930	2015	4194	3737	810	1345	6	10	2000	6	10	2000
		3210	2155	4474	4017	950	1485	6	10	2000	6	10	2000
		3580	2405	4854	4397	1200	1735	6	10	1900	6	10	1920
	FFT	3880	1880	5149	4692	675	1210	6	6	1800	6	6	1850
		4270	2005	5554	5097	800	1335	6	6	1780	6	6	1790
		4710	2145	5974	5517	940	1475	6	6	1720	6	6	1730
5540		2495	6799	6342	1290	1825	6	6	1510	6	6	1550	
B25NS	STD	3000	2045	4247	3790	150	150	6	10	2500	6	10	2500
		3300	2195	4547	4090	150	150	6	10	2500	6	10	2500
		3500	2295	4747	4290	150	150	6	10	2500	6	10	2500
		4000	2595	5347	4890	150	150	6	6	2450	6	6	2500
		4500	2845	5847	5390	150	150	6	6	2200	6	6	2250
		5000	3095	6347	5890	150	150	6	6	1950	6	6	2050
	FFL	2930	2015	4194	3737	810	1345	6	10	2500	6	10	2500
		3210	2155	4474	4017	950	1485	6	10	2500	6	10	2500
		3580	2405	4854	4397	1200	1735	6	10	2450	6	10	2450
	FFT	3880	1880	5149	4692	675	1210	6	6	2250	6	6	2310
		4270	2005	5554	5097	800	1335	6	6	2200	6	6	2280
		4710	2145	5974	5517	940	1475	6	6	2100	6	6	2150
5540		2495	6799	6342	1290	1825	6	6	1800	6	6	1900	
B30NS	STD	3000	2045	4247	3790	150	150	6	10	3000	6	10	3000
		3300	2195	4547	4090	150	150	6	10	3000	6	10	3000
		3500	2295	4747	4290	150	150	6	10	3000	6	10	3000
		4000	2595	5347	4890	150	150	6	6	2900	6	6	2950
		4500	2845	5847	5390	150	150	6	4	2750	6	4	2800
		5000	3095	6347	5890	150	150	6	4	2300	6	4	2500
	FFL	2930	2015	4194	3737	810	1345	6	10	3000	6	10	3000
		3210	2155	4474	4017	950	1485	6	10	3000	6	10	3000
		3580	2405	4854	4397	1200	1735	6	10	3000	6	10	3000
	FFT	3880	1880	5149	4692	675	1210	6	6	2800	6	6	2850
		4270	2005	5554	5097	800	1335	6	6	2700	6	6	2750
		4710	2145	5974	5517	940	1475	6	4	2600	6	4	2650
5540		2495	6799	6342	1290	1825	6	4	2100	6	4	2400	
B35NS	STD	3000	2045	4252	3795	150	150	6	10	-	6	10	3500
		3300	2195	4552	4095	150	150	6	10	-	6	10	3500
		3500	2295	4752	4295	150	150	6	10	-	6	10	3500
		4000	2595	5352	4895	150	150	6	6	-	6	6	3450
		4500	2845	5852	5395	150	150	6	4	-	6	4	3350
		5000	3095	6352	5895	150	150	6	4	-	6	4	2850
	FFL	2930	2015	4199	3742	810	1345	6	10	-	6	10	3500
		3210	2155	4479	4022	950	1485	6	10	-	6	10	3500
		3580	2405	4854	4397	1200	1735	6	10	-	6	10	3500
	FFT	3880	1880	5154	4697	675	1210	6	6	-	6	6	3400
		4270	2005	5559	5102	800	1335	6	6	-	6	6	3350
		4710	2145	5979	5522	940	1475	6	4	-	6	4	3020
5540		2495	6804	6347	1290	1825	6	4	-	6	4	2800	
		6010	2645	7254	6797	1440	1975	6	4	-	6	4	2450

Note : Mast Specifications & Rated capacities are based on standard chassis without side shifter.
 Products and specifications are subject to improvement and change without prior notices.

DOOSAN Bobcat is a Doosan Company. Doosan is a global leader in construction equipment, power & water solutions, engines, and engineering proudly serving customers and communities for more than a century. | Bobcat and the Bobcat logo are registered trademarks of Bobcat Company in the United States and various other countries. © Bobcat Company. All Rights Reserved.

