

Features

- Cable gland series for armored cables
- Brass nickel-plated or stainless steel AISI 316
- Suitable for operation in Zones 1, 2, 21 and 22
- Certified Ex d, Ex e and Ex tb
- Metric and NPT versions available

Assembly



Function

The metal cable glands type CG.AR can be used indoor and outdoor in Zone 1, Zone 2, Zone 21 and Zone 22 hazardous areas. They are intended for use with armored cables providing a combined flameproof seal and environmental seal on the outer and inner sheath of the cable. Typical armors which can be clamped are steel wire armor (SWA), steel wire braided (SWB), steel tape armor (STA), pliable wire armor (PWA) and aluminum wire armor (AWA).

Type code / model number

Series

CG	cable glands				
:	Type				
:	AR	metal glands for armored cables			
:	:	Thread			
:	:	M*	metric ISO pitch 1.5; sizes see dimensions data table		
:	:	NPT*	NPT ANSI ASME B1.20.1; sizes see dimensions data table		
:	:	:	Material		
:	:	:	BN	brass nickel-plated	
:	:	:	SS	stainless steel	
:	:	:	:	Seal	
:	:	:	:	C	chloroprene / neoprene
:	:	:	:	S	silicone

CG	.AR	.M16	.BN	.C	
----	-----	------	-----	----	--

Release date 2015-12-01 T171445

Refer to "General Notes Relating to Pepperl+Fuchs Product Information".

Pepperl+Fuchs Group
www.pepperl-fuchs.com

USA: +1 330 486 0002
pa-info@us.pepperl-fuchs.com

Germany: +49 621 776 2222
pa-info@de.pepperl-fuchs.com

Singapore: +65 6779 9091
pa-info@sg.pepperl-fuchs.com

Technical Data**Mechanical Specification**

Dimensions	see dimensions data table
Protection degree	IP66 / IP68
Cable type	armored cables
Clamping range	see dimensions data table
Thread types	metric or NPT, see dimensions data table

Material

Gland	brass nickel-plated or AISI 316 (1.4401) stainless steel
Seal	chloroprene / neoprene or silicone
Washer gasket	aramid fibers bonded with NBR, see accessories
Weight	see dimensions data table

Ambient conditions

Ambient temperature	chloroprene seal: -40 ... 80 °C (-40 ... 176 °F) silicone seal: -60 ... 100 °C (-76 ... 212 °F) washer gasket: -40 ... 80 °C (-40 ... 176 °F)
---------------------	---

Data for application in connection with Ex-areas

EC-Type Examination Certificate	CESI 14ATEX033X
Group, category, type of protection, temperature class	[Ex] II 2 GD Ex d IIC Gb Ex e IIC Gb Ex tb IIIC Db

International approvals

IECEX approval	IECEX CES 14.0022X
Customs Union TR (Russia, Kazakhstan, Belarus)	TC RU C-TR.GB05.B.00918

Conformity

Protection degree	EN 60529
-------------------	----------

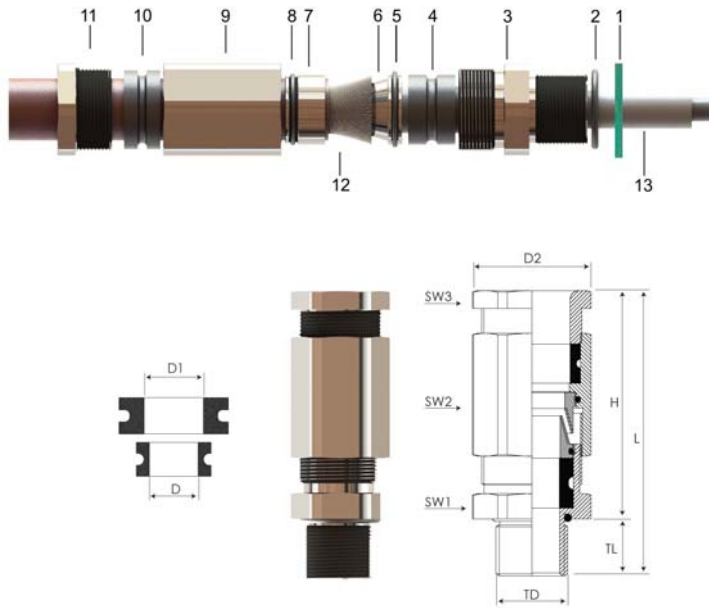
General information

Supplementary information	EC-Type Examination Certificate, Statement of Conformity, Declaration of Conformity, Attestation of Conformity and Instructions have to be observed where applicable. For information see www.pepperl-fuchs.com .
---------------------------	---

Accessories

Washer gasket, NBR-bonded aramid fibers	type code: SEAL M* FI * = thread size
---	---------------------------------------

Dimensions



Legend

- 1 - Washer gasket (accessory)
 - 2 - O-ring
 - 3 - Lower body
 - 4 - Lower seal
 - 5 - O-ring
 - 6 - Grounding cone
 - 7 - Swivel retainer
 - 8 - O-ring
 - 8 - Upper body
 - 10 - Upper seal
 - 11 - Pressure cap
 - 12 - Shielding braid
 - 13 - Shielded cable
-
- D - Cable diameter without braid, lower seal (3)
 - D1 - Cable sheath diameter, upper seal (9)
 - D2 - Width across corners
 - H - Length outside enclosure
 - SW - Width across flats
 - TD - Thread size
 - TL - Thread length
 - L - Overall length

For details see dimensions data table

Dimensions

Type Metric	Thread	Clamping Range [mm]				Armor	Cable Gland Dimensions [mm]					Weight [kg]
		D min.	D max.	D1 min.	D1 max.		H min.	L	TL	D2	SW1-2-3	
CG.AR.M16.*.*	M16	6.0	11.0	8.0	15.0	1.3	61.0	77.0	16.0	27.0	25	0.141
CG.AR.M20.*.*	M20	6.0	11.0	8.0	15.0	1.3	61.0	77.0	16.0	27.0	25	0.147
CG.AR.M20L.*.*	M20	10.0	15.5	13.5	21.0	1.3	64.0	80.0	16.0	33.0	30	0.188
CG.AR.M25S.*.*	M25	6.0	11.0	8.5	15.0	1.3	61.0	77.0	16.0	33.0	30	0.191
CG.AR.M25.*.*	M25	10.0	15.5	13.5	21.0	1.3	64.0	80.0	16.0	33.0	30	0.193
CG.AR.M25L.*.*	M25	13.5	20.5	18.0	27.0	1.6	72.0	88.0	16.0	44.5	40	0.365
CG.AR.M32.*.*	M32	13.5	21.0	18.0	27.0	1.6	71.5	87.5	16.0	44.5	40	0.353
CG.AR.M32L.*.*	M32	18.0	27.0	23.0	33.0	1.6	76.2	92.2	16.0	47.0	43	0.356
CG.AR.M40.*.*	M40	23.0	33.0	29.0	40.0	2.0	78.0	94.0	16.0	55.5	50	0.472
CG.AR.M50.*.*	M50	29.0	41.0	35.0	48.0	2.5	103.4	94.3	16.0	64.0	58	0.603
CG.AR.M63.*.*	M63	35.0	48.0	42.0	56.0	2.5	132.0	152.0	20.0	83.0	75	0.703

Type NPT	Thread	Clamping Range [mm]				Armor	Cable Gland Dimensions [mm]					Weight [kg]
		D min.	D max.	D1 min.	D1 max.		H min.	L	TL	D2	SW1-2-3	
CG.AR.NPT3/8*.*	3/8"	6.0	11.0	8.0	15.0	1.3	61.0	77.0	16.0	27.0	25	0.144
CG.AR.NPT1/2*.*	1/2"	6.0	11.0	8.0	15.0	1.3	61.0	82.0	21.0	27.0	25	0.141
CG.AR.NPT1/2L*.*	1/2"	10.0	15.5	13.5	21.0	1.3	64.0	85.0	21.0	33.0	30	0.192
CG.AR.NPT3/4S*.*	3/4"	6.0	11.0	8.5	15.0	1.3	61.0	82.0	21.0	33.0	30	0.194
CG.AR.NPT3/4*.*	3/4"	10.0	15.5	13.5	21.0	1.3	64.0	85.0	21.0	33.0	30	0.196
CG.AR.NPT3/4L*.*	3/4"	13.5	20.5	18.0	27.0	1.6	72.0	93.0	21.0	44.5	40	0.368
CG.AR.NPT1*.*	1"	13.5	21.0	18.0	27.0	1.6	71.5	97.5	26.0	44.5	40	0.356
CG.AR.NPT1L*.*	1"	18.0	27.0	23.0	33.0	1.6	76.5	102.5	26.0	47.0	43	0.359
CG.AR.NPT1-1/4*.*	1 1/4"	23.0	33.0	29.0	40.0	2.0	78.0	106.0	28.0	55.5	50	0.475
CG.AR.NPT1-1/2*.*	1 1/2"	29.0	41.0	35.0	48.0	2.5	103.4	106.5	28.0	64.0	58	0.606
CG.AR.NPT2*.*	2"	35.0	48.0	42.0	56.0	2.5	132.0	160.0	28.0	83.0	75	0.706

. = Material and seal, see type code table
 (1) = Metric ISO pitch 1.5 mm
 (2) = NPT ANSI ASME B1.20.1
 (3) = max. armor thickness [mm]
 (4) = weight for stainless steel versions, brass-nickel plated versions slightly less
 For further information please contact Pepperl+Fuchs

Refer to "General Notes Relating to Pepperl+Fuchs Product Information".