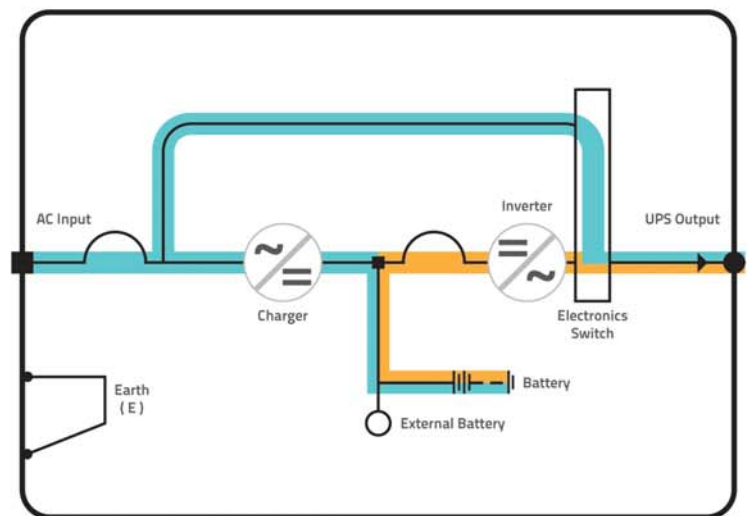


Uninterruptible
Power Supply



The UPS inverter works only when the AC input voltage low or loss. When the AC input voltage in normal condition, UPS will stabilize and filter the AC input voltage and supply a clean and stable AC voltage to the UPS output and charge the battery. When the AC input voltage is low or loss, inverter will replace it and supply a stable AC voltage within a very short transfer time.

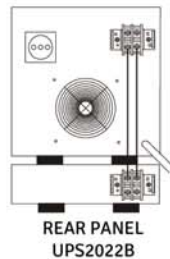
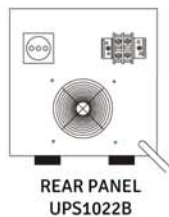
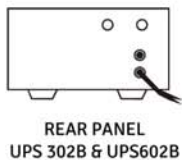
- EMI / RFI Filter
- Built-in Stabilizer
- Audible And Visual Indicator
- Built-in SLA Battery
- Expandable Back Up Time
- Compact Size
- Easy To Install



■ AC Input Voltage not Present
■ AC Input Voltage Present

ITEM		UNITS	SPECIFICATION				REMARKS
MODEL			UPS302B	UPS602B	UPS1022B	UPS2022B	
CAPACITY		VA/W	600/300	1200/600	2000/1000	4000/2000	MAXIMUM
AC INPUT	VOLTAGE	V	160 - 250				
	CURRENT	A	1.7	3.4	5.6	10.2	MAX. LOAD & CHARGER
	FREQUENCY	Hz	50 ± 5%				
	PROTECTION		FUSE SLOW BLOW 6.3A		MCB 10A	MCB 10A	
DC INPUT	INTERNAL BATTERY		1 x 12V, 7AH	2 x 12V, 7AH	3 x 12V, 7AH	*) 4 x 12V, (2 x 7AH)	SLA BATTERY *) BATTERY BANK
	EXTERNAL BATTERY		1 x 12V Max 40AH	2 x 12V Max 40AH	3 x 12V Max 40AH	4 x 12V Max 40AH	OPTIONAL
	PROTECTION		FUSE 40A		MCB 32A	MCB 63A	
INVERTER OUTPUT	WAVE FORM		SYNTHESIZED SINEWAVE				PWM
	VOLTAGE	V	220 ± 5%				
	FREQUENCY	Hz	50				
	EFFICIENCY	%	> 80				
CHG	TYPE		CONSTANT VOLTAGE				
	VOLTAGE	V	13.5	27.0	40.5	54.0	
	CURRENT	A	1.5		3		MAXIMUM
TRANSFER TIME		ms	≤ 4				
BACK UP TIME		min	10				WITHOUT EXT. BATTERY, NOMINAL LOAD
INDICATOR			LED & BUZZER				REFER TO TABLE STATUS INDICATOR
OPERATION TEMP		°C	0 - 40				
DIMENSION		mm	401 x 260 x 170		402 x 260 x 285		D x W x H
WEIGHT	NETTO	Kg	11	16.5	29.5	25*)	*) WITHOUT INTERNAL BATTERY
	GROSS		12.5	18	31.5	27*)	

SPECIFICATIONS ARE SUBJECT TO CHANGE WITHOUT PRIOR NOTICE



Contact Person



481-4110010-211