



ICA[®]

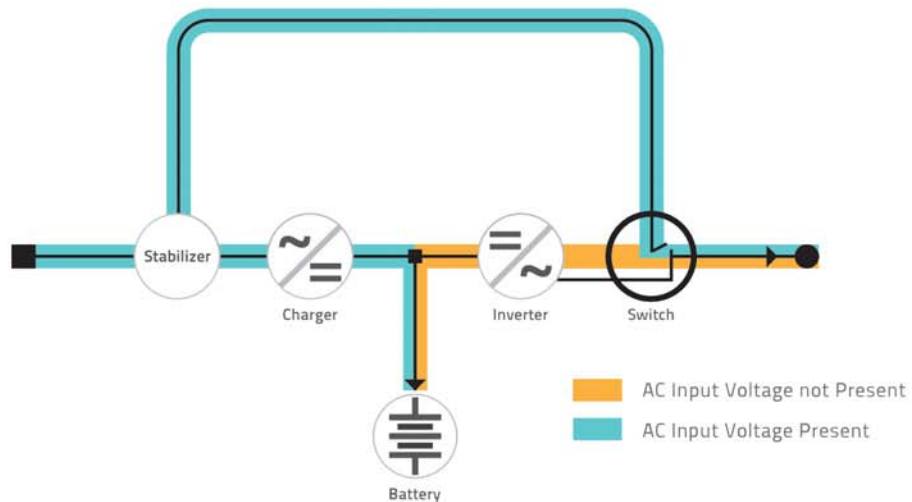
The Best *Solution* for Power System



Uninterruptible Power Supply



- Compact Design
- Compact Size And Lightweight
- Easy to Use
- EMI / RFI Filter
- Build-in AVR
- Built-in Sealed Lead Acid Battery
- Audible And Visual Indicator
- Computer Interface USB Port
- High Efficiency
- High Reliability



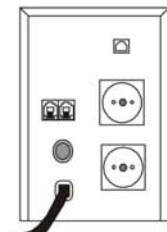
Protect your computer and sensitive equipments from any electrical disturbance

ITEM		UNITS	SPECIFICATION		REMARKS
MODEL			CS638	CS1238	
CAPACITY		VA/W	600 / 300	1200 / 600	MAXIMUM
AC INPUT	VOLTAGE	V	160 - 250		
	CURRENT	A	1.6	2.9	MAX. LOAD & CHARGER
	FREQUENCY	Hz	50 ± 3		
	PROTECTION	A	3,15	6,3	FUSE
DC INPUT	INTERNAL BATTERY		1 x 12V, 7AH	2 x 12V, 7AH	SEALED LEAD ACID BATTERY
INVERTER OUTPUT	WAVE FORM		SYNTHESIZED SINEWAVE		PWM
	VOLTAGE	V	220 ± 5%		
	FREQUENCY	Hz	50 ± 1%		
	EFFICIENCY	%	> 80		
C H G	TYPE		CONSTANT VOLTAGE		
	VOLTAGE	V	13.5	27.0	
	CURRENT	A	1.5		MAXIMUM
TRANSFER TIME		ms	≤ 4		
BACK UP TIME		min	10		NOMINAL LOAD
INDICATOR			LED & BUZZER		
OPERATION TEMPERATURE		°C	0 - 40		
DIMENSION		mm	345 x 95 x 150	390 x 145 x 195	D x W x H
WEIGHT		Kg	6	12.5	NETTO
			7	14	GROSS

SPECIFICATIONS ARE SUBJECT TO CHANGE WITHOUT PRIOR NOTICE



REAR PANEL CS638



REAR PANEL CS1238

Contact Person



481-41C0010-212