



SERIES ELECTRIC SCREWDRIVERS

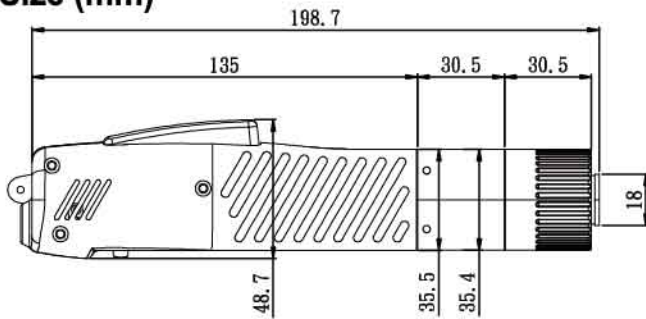
LOW TORQUE COMPACT DC SEMI-AUTOMATIC TRIGGER START CLUTCH TYPE SERIES

BSD-101

- Light and compact body reduce operator fatigue.
- For quality improvement and productivity enhancement.
- High repeatable torque accuracy.
- Long time selling , reliable and high performance.
- Carrying case series only adopt B type bit.
- CE available upon request.



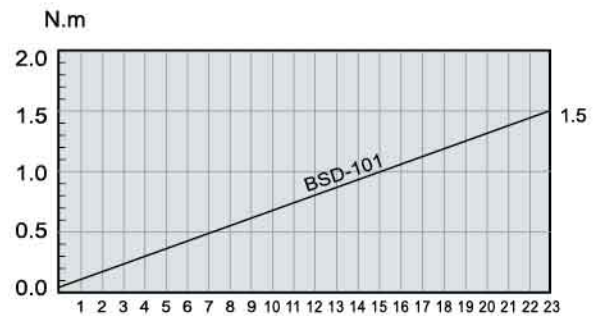
Size (mm)



Specifications

Model	BSD-101	
Input Voltage	36V DC	
Torque	(kgf.cm)	0.51-15.3
	(Lbf.in)	0.44-13.28
	(N.m)	0.05-1.5
Repeatable Torque Accuracy(%)	±5%	
Torque Adjustment	Stepless	
Unloaded Rotation Speed (r.p.m.)	1100	
Screw Size	Machine Screw	1.6~4.0
	Tapping Screw	1.6~3.0
Dia(mm)		
Power Consumption	36W	
Weight(g)	445	
Length(mm)	220	
RoHS	✓	
Power Controller	BSD-36P	
Bit Type		

Torque Range Chart



Specifications

Model	BSD-36P
Input Voltage	AC 220V 50/60HZ
Output Voltage	36V DC
Size	135*50*30mm
Weight	240g
Suitable Model	BSD-101
Remark	
Plug Type	