

DELPHI SERIES ASYNCHRONOUS THREE-PHASE ELECTRIC MOTORS





VISIT AND KNOW MOTIVE THANKS TO THE MOVIE ON WWW.MOTIVE.IT



Technical characteristics
sizes 56 -132 pag. 4-5



Technical characteristics
sizes 160-355 pag. 6

DELFIRE series pag. 7



Efficiency pag. 8-9



CE Marking
Delphi EX pag. 10

Marine Motors certified
by RINA pag. 11

Motive motors protection



Protection Type
Duty Service pag. 12

Working conditions
Assisted power cooling pag. 13

Encoder



Wiring diagrams pag. 14-15



Three-phase self-braking motors series
Delphi AT pag. 16

Descrizione del freno
Funzionamento del freno pag. 17

Regolazioni



Manual release/IP/braking surface
micro-switches to detect brake position
Power supply pag. 18

Power supply pag. 19



Configurator pag. 20

Motor configurations and
installation positions pag. 21



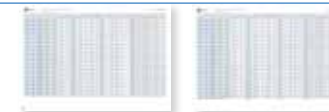
Table of dimensions pag. 22-23



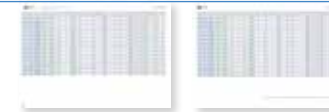
Technical data pag. 24-25



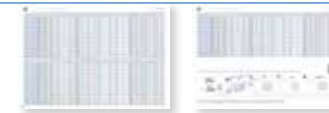
Technical data pag. 26-27



Technical data pag. 28-29



Technical data pag. 30-31



Components list pag. 32

Rubber seal rings
and bearings pag. 33



Terms of sale
and guarantee pag. 34



TECHNICAL CHARACTERISTICS

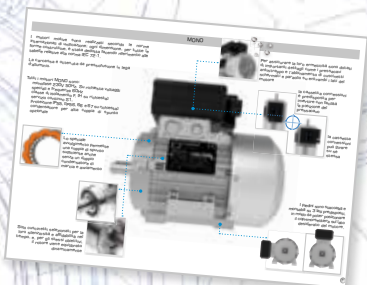
SIZES 56 -132

Motive motors are built according to international standard regulations; each size throughout the construction forms is calculated with reference to the tables of standard IEC 72-1.

Motive asynchronous three-phase delphi series motors are closed, and externally ventilated. The frame, up to 132 included, is made in die casting aluminium alloy, from size 160 up to 355 the frame is made in cast iron.

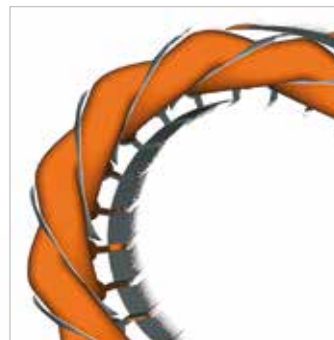
All DELPHI motors are three-phase, multiple voltage multi-frequency 50/60Hz, F class insulation, (H on request) S1 continuous duty service, IP55 protection (IP56, 66 and 67 on request) IE2 or IE3 efficiency class tropicalized winding suitable for inverter power supply

IE2, high efficiency class IEC 60034-30-1
IE3, premium efficiency class IEC 60034-30-1



Download from www.motive.it the catalogue of 1PH motors "MONO" series

REGISTERED DESIGN



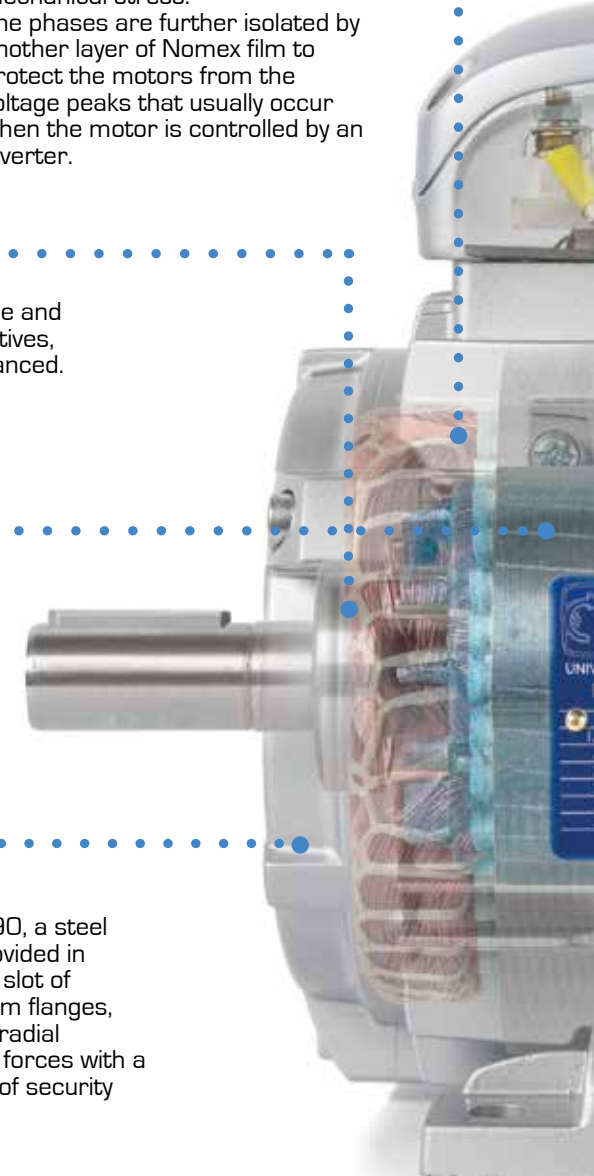
The copper is impregnated with a double layer of H class insulating enamel to ensure high resistance to electrical, thermal and mechanical stress. The phases are further isolated by another layer of Nomex film to protect the motors from the voltage peaks that usually occur when the motor is controlled by an inverter.

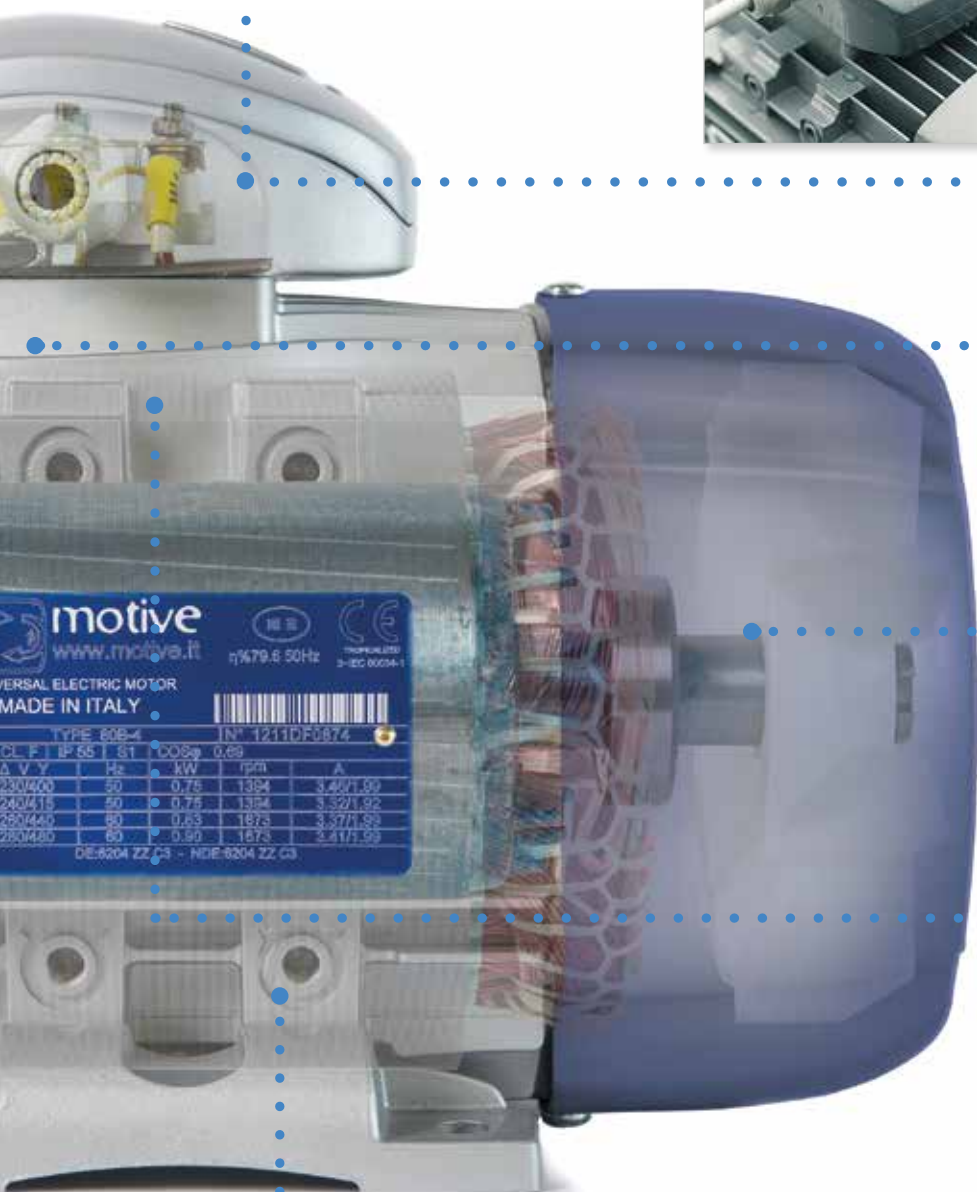


Bearings selected for their silence and reliability and, for the same objectives, the cage rotor is dynamically balanced.



From type 90, a steel insert is provided in the bearing slot of the aluminum flanges, to resist to radial mechanical forces with a fair degree of security





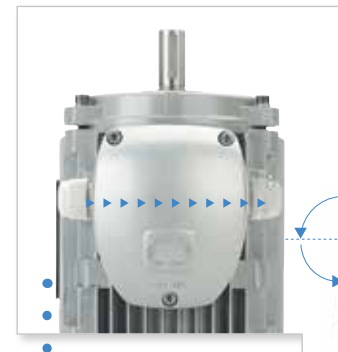
motive
www.motive.it
UNIVERSAL ELECTRIC MOTOR
MADE IN ITALY

CL	F	IP	65	61	cosφ	0,89	
Δ	V	Hz			kW	rpm	A
230	400	50			0,75	1394	3,46/1,99
230	415	50			0,75	1394	3,52/1,92
250	440	60			0,63	1873	3,57/1,98
250	460	60			0,50	1873	3,41/1,99

DE:6204 ZZ G3 - NDE:6204 ZZ G3



Aiming the maximum protection, the motors are equipped with important details like the pull-resistant cable gland and the combination of bearings with two shields each with rubber seal rings



Cable gland can be easily moved on both the sides of the connection box, thanks to the screw cap



The connection box can be rotated of 360° with steps of 90°

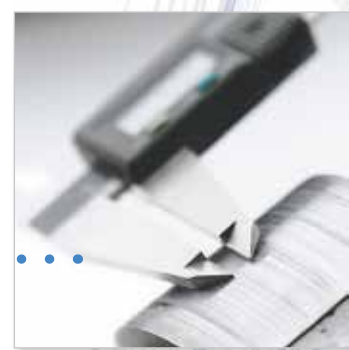


To protect them by the rust, motive motors are painted in silver RAL9006 colour

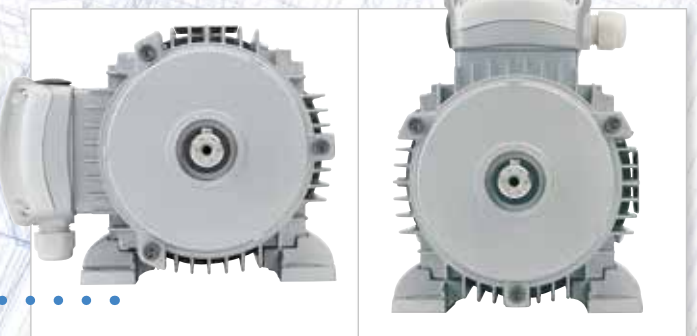


Very thick and made of a special plastic material, the fan cover is:

- impact resistant
- soundproofing
- scratchproof
- rustproof



Performance excellence is granted by the low loss CRNO "FeV" magnetic laminations adoption, instead then the usual Semi Processed/Decarb "FePO1". FeV laminations provide higher efficiency, lower heating, energy saving and longer life to insulation materials



From size 56 to size 132, feet are detachable, and can be fixed on 3 sides of the housing, thus permitting the terminal box to be positioned up, right or left.

TECHNICAL CHARACTERISTICS SIZES 160-355

Motive three phase motors from size 160 up to size 355 are made in cast-iron and have all those main features of the Delphi series, among which:

- standardized dimensions according to International standards (IEC 72-1)
- multiple voltage and multi-frequency 50/60Hz,
- F class insulation, [oupon request H or H+ (delfire)]
- S1 continuous duty service,
- IP55 protection (IP56, 66 and 67 on request)
- tropicalized winding and reinforced insulation
- suitable for inverter power supply* [from 110kW and up we recommend to order the motor with insulated barings (option)]

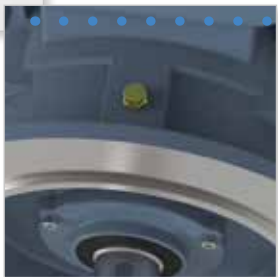
IE2, high efficiency class IEC 60034-30-1
IE3, premium efficiency class IEC 60034-30-1



Keeping the same sealing system of the whole delphi series, the terminal box up to size 280 is made in aluminum, thus guaranteeing its IP65 protection index without being affected by the usual finishing imperfections of the cast iron



From size 160 up to 280, we mount ZZ auto-lubricated bearings, thus avoiding the need of a periodical re-greasing maintenance



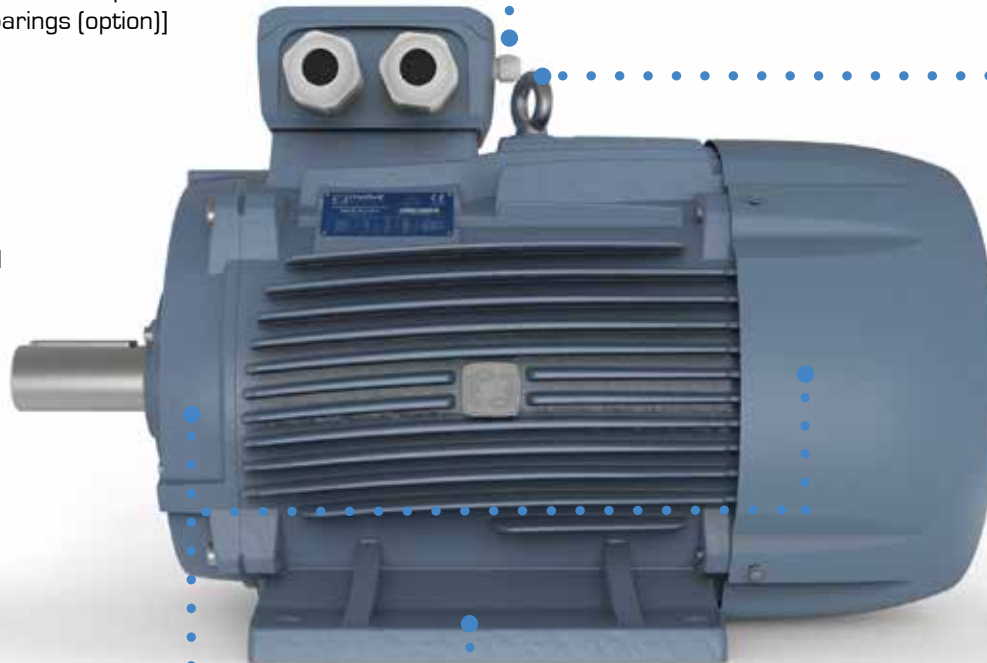
Instead, from size 315 and up, they are provided with lubricators. 4, 6 and 8 poles motors drive end bearings are in fact of open roller type, in order to withstand eventual extraordinary radial loads [see paragraph "components list"]



provided with 3 PTC thermistors that protect the motor and the system by operation anomalies



equipped by lifting eyebolts [one for B3 version (feet fixing), two for B5 version (flange fixing)]



The terminal box can be rotated of 360° with steps of 90°



Given the high torque, the fixing from size 180 up is ensured by feet integrally casted with the housing



Upon request, motive can anyway mount the terminal box laterally, on the right or the left

Note: during the years 2016 and 2017, the motors size 180-280 might still be equipped by lubricators and open bearings, because of the time needed to update them

NOTE: during the years 2016 and 2017, the motors size 160 might still be equipped with detachable feet, because of the time needed to update them

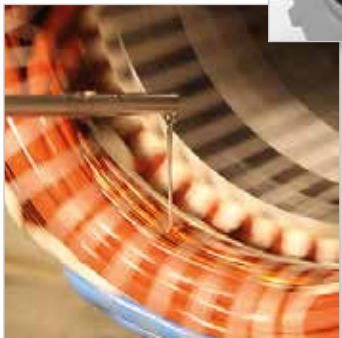
DELFIRESERIES, 100°C RESISTANT MOTORS



“DELFIRESERIES” is an innovative range of three phase motors specifically designed to work in an ambient temperature of 100°C, like for instance the one of the ventilation of furnaces and dryers, in S1 continuous duty

The used technology finds its origin in EN 12101-3 fire emergency motors for smoke evacuation, but instead of being intended for working for few hours only, it is designed to offer an S1 continuous duty service and the same lifespan of a normal motor in a normal ambient. The main features are:

- metal cable glands and ventilation, viton gaskets and seals, high temp bearings, steel bearing seats



- defluxed winding for a low temp rise, dual coated magnet wires, increased H class:
 - Double impregnation: varnished twice and re-baked. The process assures the coverage of pin holes. The increased solid content layer increases the high voltage capacity of the motor and better protects it against surge voltages. The increased parasitic capacitance gives a higher impulse withstand capacity;
 - Gel Coat: the stator is then further protected by an epoxy compound which cures fast under hot conditions. Epoxy has very good fungus resistance properties, thus avoiding tracking failure, drastically reducing the service life of the motor. Epoxy also exhibits very good resistance to alkali as well as acids. Epoxy coating also allows for condensing humidity. The smoothly finished surface does not allow liquid water to stay on the windings

Available from size IEC 71 (0,25kW) up to size 200 (30kW), in 2-4-6 poles. IE2 high efficiency

For the performance and dimensional data of delfire series, do not refer to the standard motors data contained in this catalogue. If needed, ask it to our commercial office.

EFFICIENCY

Worldwide there are several classification systems of induction motors efficiencies. In order to create a common system, IEC (International Electrotechnical Commission) issued in October 2008 the norm IEC 60034-30-1 "Rotating electrical machines

- Part 30-1: Efficiency classes of single-speed, three-phase, cage-induction motors (IE-code)". It's a classification system of efficiency that replaces the CEMEP one (to be clear, the one of "Eff.1, Eff.2, ed Eff.3" motors) and that, furthermore, recalls a new measuring and calculation way of efficiency, the one of the norm IEC 60034-2-1 (Rotating electrical machines

- Part 2-1: Standard methods for determining losses and efficiency from tests).

In Europe it's a step ahead in the application of the Eco-design Directive for Energy-related Products (ErP) 2009/125/EC. It's based on such a normative picture and on the Regulation (EC) nr 640/2009 of 22 July 2009 that:

- From June 2011, the efficiency of motors from 0.75kW up to 375kW lower than IE-2 have been forbidden

- From 2015, the minimum efficiency for motors not equipped with an electronic variable speed drive from 7,5 to 375kW will be IE-3, and

- From 2017, the obligation of IE-3 will be extended to the motors not equipped with an electronic variable speed drive from 0,75kW to 5,5kW

KW	Hp	efficiency classes EN 60034-30-1 (at 50Hz)											
		IE-1 standard efficiency				IE-2 high efficiency				IE-3 premium efficiency			
		2 poles	4 poles	6 poles	8 poles	2 poles	4 poles	6 poles	8 poles	2 poles	4 poles	6 poles	8 poles
0,12	0,18	45,0	50,0	38,3	31,0	53,6	59,1	50,6	39,8	60,8	64,8	57,7	50,7
0,18	0,25	52,8	57,0	45,5	38,0	60,4	64,7	56,6	45,9	65,9	69,9	63,9	58,7
0,25	0,35	58,2	61,5	52,1	43,4	64,8	68,5	61,6	50,6	69,7	73,5	68,6	64,1
0,37	0,5	63,9	66,0	59,7	49,7	69,5	72,7	67,6	56,1	73,8	77,3	73,5	69,3
0,55	0,75	69,0	70,0	65,8	56,1	74,1	77,1	73,1	61,7	77,8	80,8	77,2	73,0
0,75	1	72,1	72,1	70,0	61,2	77,4	79,6	75,9	66,2	80,7	82,5	78,9	75,0
1,1	1,5	75,0	75,0	72,9	66,5	79,6	81,4	78,1	70,8	82,7	84,1	81,0	77,7
1,5	2	77,2	77,2	75,2	70,2	81,3	82,8	79,8	74,1	84,2	85,3	82,5	79,7
2,2	3	79,7	79,7	77,7	74,2	83,2	84,3	81,8	77,6	85,9	86,7	84,3	81,9
3	4	81,5	81,5	79,7	77,0	84,6	85,5	83,3	80,0	87,1	87,7	85,6	83,5
4	5,5	83,1	83,1	81,4	79,2	85,8	86,6	84,6	81,9	88,1	88,6	86,8	84,8
5,5	7,5	84,7	84,7	83,1	81,4	87,0	87,7	86,0	83,8	89,2	89,6	88,0	86,2
7,5	10	86,0	86,0	84,7	83,1	88,1	88,7	87,2	85,3	90,1	90,4	89,1	87,3
11	15	87,6	87,6	86,5	85,0	89,4	89,8	88,7	86,9	91,2	91,4	90,3	88,6
15	20	88,7	88,7	87,7	86,2	90,3	90,6	89,7	88,0	91,9	92,3	91,2	89,6
18,5	25	89,3	89,3	88,6	86,9	90,9	91,2	90,4	88,6	92,4	92,6	91,7	90,1
22	30	89,9	89,9	89,2	87,4	91,3	91,6	90,9	89,1	92,7	93,0	92,2	90,6
30	40	90,7	90,7	90,2	88,3	92,0	92,3	91,7	89,8	93,3	93,6	92,9	91,3
37	50	91,2	91,2	90,8	88,8	92,5	92,7	92,2	90,3	93,7	93,9	93,3	91,8
45	60	91,7	91,7	91,4	89,2	92,9	93,1	92,7	90,7	94,0	94,2	93,7	92,2
55	75	92,1	92,1	91,9	89,7	93,2	93,5	93,1	91,0	94,3	94,6	94,1	92,5
75	100	92,7	92,7	92,6	90,3	93,8	94,0	93,7	91,6	94,7	95,0	94,6	93,1
90	120	93,0	93,0	92,9	90,7	94,1	94,2	94,0	91,9	95,0	95,2	94,9	93,4
110	150	93,3	93,3	93,3	91,1	94,3	94,5	94,3	92,3	95,2	95,4	95,1	93,7
132	180	93,5	93,5	93,5	91,5	94,6	94,7	94,6	92,6	95,4	95,6	95,4	94,0
160	220	93,8	93,8	93,8	91,9	94,8	94,9	94,8	93,0	95,6	95,8	95,6	94,3
200	270	94,0	94,0	94,0	92,5	95,0	95,1	95,0	93,5	95,8	96,0	95,8	94,6
250	335	94,0	94,0	94,0	92,5	95,0	95,1	95,0	93,5	95,8	96,0	95,8	94,6
315	423	94,0	94,0	94,0	92,5	95,0	95,1	95,0	93,5	95,8	96,0	95,8	94,6
355	483	94,0	94,0	94,0	92,5	95,0	95,1	95,0	93,5	95,8	96,0	95,8	94,6



We recommend to choose the Motive drive NEO-WiFi





IMQ S.p.A.
 120138 Milano - Via Quintilano, 43
 tel. 025077311 - fax 0250871000
 e-mail: info@imq.it - www.imq.it

Ris. Milano 159584
 Registro Imprese MI 1288410189
 C.F./P. 02087010159
 Capitale Sociale € 4.000.000

Milan, September 30, 2008

Attention to Company
 Motive S.r.l.
 Via Arignanelo, 110/112
 25010 Montone (BS) - ITALY

Dear Mr Giorgio Bosio,

Herewith I confirm that Motive's laboratory, evaluated according to the requirements of standard IEC/ISO 17025, is found in compliance with main requirements of the above mentioned standard. The following motors were tested according to standard IEC 60034-2 with supervision of IMQ qualified personnel.

Model designation	rated power (kW)
90L-4 EFF1	1,5
100LB-4 EFF1	3
112M-4 EFF1	4
132M-4 EFF1	4
132M-4 EFF1	7,5
90L-2 EFF1	2,2
112M-2 EFF1	4
132SB-2 EFF1	7,5
112M-6 EFF1	2,2
132S-6 EFF1	3
100LA-8 EFF1	0,75
132M-8 EFF1	3

With Regards
 Igor Bazzani
 Household Appliances Laboratory Manager
 Tel. (+39) 025073484
 igor.bazzani@imq.it

IMQ S.p.A.
 Via Quintilano 43
 20138 Milano
 Tel. (+39) 02507311
 www.imq.it - info@imq.it

What did Motive do in this scenario?

- The measuring and calculation system of Motive motors efficiency is conform to the norm 60034-2-1:2007. That's the one behind the data declared in the probative test-reports uploaded in motive web-site (each declared data, we remind it, is in fact supported, detailed and proven by such test reports)
- This, together with the fact that Eff.2 Motive motors were often offering an efficiency abundantly above the min allowed level, permitted us to reach easily IE2 efficiency with a two years long R&D plan before June 2011. From June 2011, IE1 motors are not produced anymore.
- IE3 "premium efficiency" motors are also available.
- The testing system, test reports, and data truth of Motive motors has been certified by IMQ, the main Italian certification body for electrical appliances. The same, in fact, has firstly inspected and qualified our internal laboratory according to the norm IEC/ISO 17025, and then supervised the internal tests on a sampling list of motors.



Clients benefits are of many kinds:

BILL EFFECTS

The purchase cost of a motor is about 2-3% of the total costs of its life. The balance is energy consumption costs. Comparing IE3 motors to IE2, the purchase price difference is recovered in about one year of energy saving. Of course, such period length depends by the specific motor, the use of it and the local energy costs of each Country.

DURABILITY EFFECTS

Higher efficiency motors heat less, slowing down the aging cycle of the insulating materials and living longer. The average life is approximately from 35 to 40,000 hours for IE2 motors up to 15kW and 60,000 for IE2 bigger motors. IE3 motors can live approx 40% longer than IE2 motors.

AMBIENT EFFECTS

Electric motors use 65% of all electricity in industry. Higher efficiency motors have the further objective of sustainable development, reduction of CO₂ emissions and consequent improvement of the quality of the atmosphere with an objective of sustainable development, Reduction of CO₂ emissions and consequent improvement of the quality of the atmosphere.















How to make a more efficient motor?

High efficiency can be seen in many ways: like the relation between output power and input absorbed power, or like a measure of the losses that born when converting the electric power in mechanical energy. From another perspective, high efficiency motors consume less energy to produce the same torque on the shaft. Basically, an high efficiency motor is the result of precise machining, lower frictions, a dynamically balanced rotor, smaller space between rotor and stator and of the use of better materials. The main factors for the design are based on the choice of the type of lamination sheets and windings. Motive motors are made with "FeV" magnetic lamination sheets, rather than the customary iron lamination sheets. Composition and thickness give to magnetic lamination sheets a very low W/Kg loosing factor. Lower specific losses mean less magnetising current for the same Power and torque (thus less heating).

Download from Google Playstore our "Motive Energy Utility" App to calculate with your android smartphone or tablet the energy saving bill effects by using a higher efficiency motor when replacing an old one.




CE marking is referred to:

-  Low Voltage 14/35/EC
-  EMC Electromagnetic Compatibility 14/34/EC
-  Eco-design Directive for Energy-related Products (ErP) 09/125/EC
-  EN60034-2-1 (last issue). Rotating electrical machines. Standard methods for determining losses and efficiency from tests
-  EN60034-30-1 (last issue). Rotating electrical machines - Part 30: Efficiency classes of line operated AC motors (IE code)
-  EN50347 General purpose three-phase induction motors having standard dimensions and outputs. Frame numbers 56 to 315 and flange numbers 65 to 740
-  EN61000-6-4 Electromagnetic compatibility (EMC) - Part 6: Generic standards - Section 4: Emission standard for industrial environments
-  EN 60034-9 (last issue). Rotating electrical machines. Part 9: noise limits
-  EN60034-25 Rotating electrical machines - Part 25: Guidance for the design and performance of a.c. motors specifically designed for converter supply
-  EN 60034-1 (last issue). Rotating electrical machines. Part 1: rating and performance
-  EN 60034-5 (last issue). Rotating electrical machines. Part 5: classification of degrees of protection
-  EN 60034-6 (last issue). Rotating electrical machines. Part 6: methods of cooling (IC code)
-  EN60034-7 Rotating Electrical Machines - Part 7: Classification of Types of Construction, Mounting Arrangements and Terminal Box Position (IM Code)
-  EN60034-8 Rotating electrical machines-Part 8: Terminal markings and direction of rotation




Note: The Machinery Directive (MD) 2006/42/EC excludes from its scope the electric motors (Art. 1, comma 2)

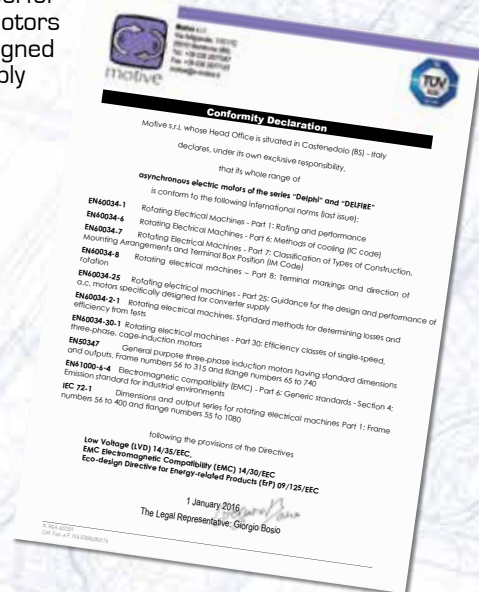
CE marking is put by Motive as a visible sign of the product compliance with the requirements of above mentioned directives. In order to reach this conformity, Motive products respect the following product standards:

 II 3G Ex nA IIB T4 Gc
II 3D Ex tc IIIB T125°C Dc

ATEX is the conventional name of the Directive 14/34/EC for the equipment intended for use in potentially explosive atmospheres. The name comes from the words ATmosphères and EXplosibles. It became compulsory in all the European Union from 1st March 1996, imposing the evaluation of the risk for all the equipment operating in such environments. It classifies several levels of "danger" (zones): to every zone it corresponds a different typology of explosive atmosphere, according to its composition and to its probability and time of appearance.

Motive delphi Ex motors are designed to be used in the zone 22 (II 3 D) and/or zone 2 (II 3 G T4), according to the classification stated in the nameplate, and for the voltage and frequency field A described by the norm EN 60034-1

-  EN60079-0 Electrical apparatus for explosive gas atmospheres - Part 0: General requirements
-  EN60079-15 Electrical apparatus for explosive gas atmospheres - Part 15: Construction, test and marking of type of protection, "n" electrical apparatus
-  EN60079-31 Explosive atmospheres Part 31: Equipment dust ignition protection by enclosure "t"



MARINE MOTORS CERTIFIED BY RINA



Motive has been admitted to the alternative testing scheme (Statement Nr. 2015/MI/01/537) for the certification of its three phase electric marine motors, constructed, tested and certified in conformity with RINA Rules, either for essential or non-essential service.



RINA is a member of IACS, thus complying with the rules harmonized by the 12 members of IACS (ABS American Bureau of Shipping; Bureau Veritas; CCS China Classification Society; CRS Croatian Register of Shipping; DNV-GL; IRCLASS Indian Register of Shipping; KR Korean Register of Shipping; Lloyd's Register; ClassNK Nippon Kaiji Kyokai; Polish Register of Shipping; Russian Maritime Register of Shipping)

[source: <http://www.iacs.org.uk/Explained/members.aspx>]

MOTIVE MOTORS PROTECTION

Protections must be chosen based on the specific running conditions, according to standards EN 60204-1

External protections

- Protection against overloads. A thermal cut-out relay, which automatically controls a knife switch.
- Protection against peak currents by magnetic relay that controls an automatic knife switch, or by fuses; these must be set to the locked rotor current.
- If the application requires, protection against excessive speed of the electric motor, for example if the mechanical load may drive the electric motor itself and thereby create a hazardous situation.
- If special conditions or synchronised operation with other machines or parts of machines require it, protection against power failures or dips by means of a minimum voltage relay that controls an automatic power knife switch.

Inner thermal overload cut-out switches (per CEI 2-3/IEC 34-1)

The electrical protections on the motor power line may not be sufficient to protect against overloads. If the cooling conditions worsen, the motor overheats but the electrical conditions do not change, which inhibits line protections. Installing built-in protections on the windings solves this problem:

- bimetallic device "PTO"



this is a normally-closed electromechanical device that opens when the threshold temperature is reached; it automatically resets when the temperature falls below the threshold level. Bimetallic devices are available with various intervention temperatures and without automatic reset, per EN 60204-1.

- PTC thermistor device



this device promptly, positively adjusts its resistance once the threshold temperature is reached.

Motors "Delphi Ex - II 3G Ex nA" and all motors from type 160 to type 355L are equipped with 3 PTC thermistors in the winding, with temperature intervention of 120-130°C in Class F motors [standard] [150-160°C in H Class motors, not delphi Ex]



Types 160-400
Cable gland for PTC

- PT100 device



this is a device that continuously, increasingly adjusts its resistance according to the temperature. It is useful for constant measuring of the winding temperatures using electronic

PROTECTION TYPE

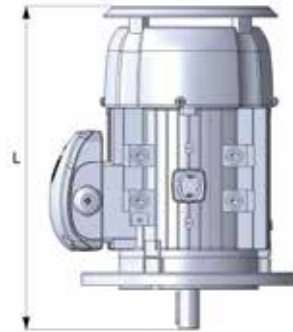
The protection against people accidental contacts and/or the entry of corps and/or the entry of water is expressed at international level (EN60529) by a symbolic acronym composed by a group of 2 letters and 2 numbers.

IP index of protection reference letters

1° num. Protection of people against contacts and protection against the entry of solid corps

2° num. Protection against harmful entry of water

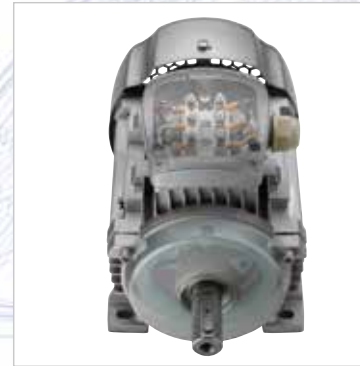
Motive motors are IP55 protected



RAIN SHIELD OR CLEAN FLOW FAN COWL FOR TEXTILE INDUSTRY

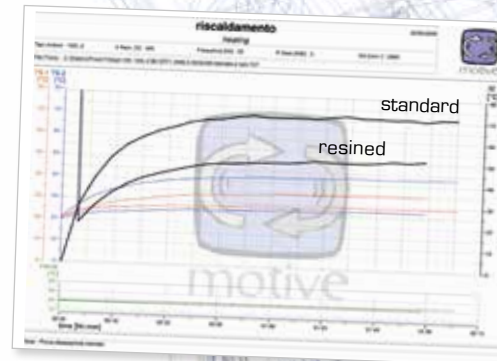
For outdoor applications with V5 - V18 - V1 - V15 installation, we recommend to mount a rain shield. This configuration may also be used in textiles processing industry.

TYPE	L
63	215
71	323
80	369
90S	403
90L	428
100	469
112	453
132S	573
132M	613
160M	770
160L	825
180M	915
180L	955
200L	1025
225S	1155
225M	1160
250M	1220
280S	1265
280M	1315
315S	1540
315M	1570
315L	1680
355M	1840
355L	1870
400	2290



TOTAL SEALING

Resin coated stator is a safe solution to the presence of very strong humidity or aggressive environments (for instance, carwash systems or chemical plants). It offers also a lower heating thanks to the thermal dissipation capacity of the resin.

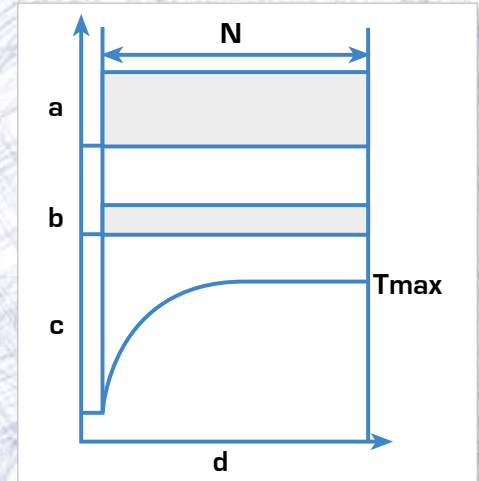


DUTY SERVICE

All Motive motors shown in this catalogue are made for S1 continuous duty service, as per IEC 34-1 norm. The duty service class is shown on the rating plate.

Below are described the various types of service:

S1 - Continuous service: operating at constant load of duration N in order to reach a thermal balance.



- a = load
- b = electric losses
- c = temperature
- d = time
- N = steady load operating time
- Tmax = max temperature achieved

- S2 - Limited-duration service.
- S3 - Periodic intermittent service.
- S4 - Periodic intermittent service with start-up.
- S5 - Periodic intermittent service with electric braking.
- S6 - Uninterrupted periodic service with intermittent load.
- S7 - Uninterrupted periodic service with electric braking.
- S8 - Uninterrupted periodic service with correlated load and velocity variations.
- S9 - Service with non-periodic variations in load and speed.

STANDARD
OPTIONAL

	1° number	2° number
0	no protection	no protection
1	protection against solid corps bigger than 50mm	protection against vertical water drops
2	protection against solid corps bigger than 12mm	protection against water drops fall up to 15° of inclination
3	protection against solid corps bigger than a 2,5mm	protection against water drops up to 60° of inclination
4	protection against solid corps bigger than 1 mm	protection against water sprayed by all directions
5	protection against harmful dust deposits	protection against water launched by a nozzle of 6,3mm D with a water capacity 12,5lt./min at a distance of maximum 3 mt for 3 min
6	complete protection against the total penetration of dust	protection against water projections similar to sea waves
7		protection from temporary submersion in water, up to 1 meter in depth

WORKING CONDITIONS

HUMIDITY:

The electrical equipment must be able to work with a relative humidity between 30 and 95% (without condensation). Damaging effects of occasional condensation must be avoided by adequate equipment design or, if necessary, by additional measures (for example, Motive offers anti-condensation heaters, drain holes, resin coated stators, and resin filled terminal boxes).

ALTITUDE AND TEMPERATURE:

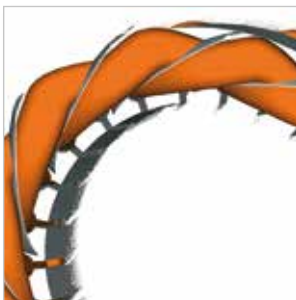
The powers indicated are intended for regular use at altitudes below 1000 mt above sea level and a room temperature between +15°C and +40°C (+100°C for delfire series) for motors having a rated power equal to or greater than 0.6 kW (IEC 34-1): For working conditions rather than those specified (higher altitude and/or temperature) the power decreases of 10% each 10°C of higher temperature, and of 8% for each 1000 mt of higher altitude.

It is not necessary to reduce the rated power if at an altitude higher than 1000mt and lower than 2000mt there is a max ambient temperature of 30°C or, in altitudes from 2000 mt to 3000mt there is a max ambient temperature of 19°C.

VOLTAGE - FREQUENCY:

The admitted variation of supply voltage and frequency is established by the norm EN60034-1

Within this tolerance delphi motors provide the rated power reported in the plate.



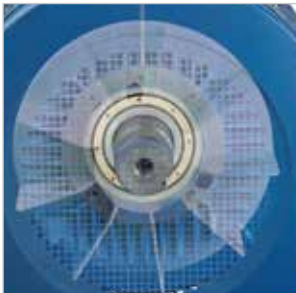
INSULATION:

The copper is impregnated with a double layer of H class insulating enamel to ensure high resistance to electrical, thermal and mechanical stress.

A NOMEX film that wraps entirely around the coil side insulates the copper and iron from one another.

The phases are further isolated by another layer of NOMEX to protect the motors from voltage peaks that usually occur when the motor is controlled by inverter.

In case that motors with more than 75kW are controlled by inverter, we suggest to request the electrically insulated bearing on the non drive end.



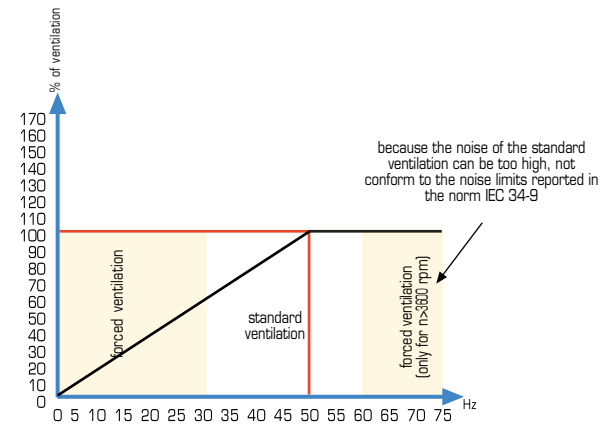
Its purpose is to open the electric circuit between the rotor and the motor frame, thus preventing that the shaft currents go through the bearings and damage their balls surface and roll tracks.

The section "technical data" of this catalogue shows the max operating temperatures according to the Class insulation shown on the plate.

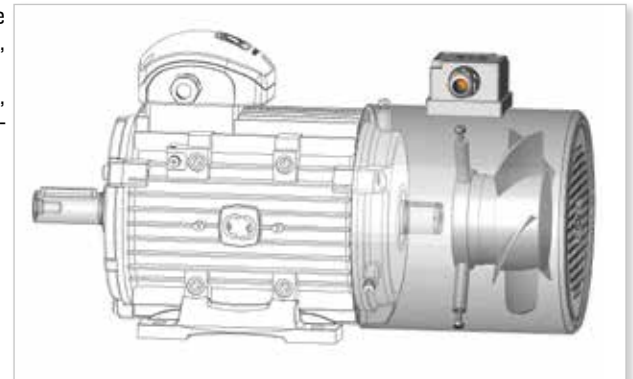
Delphi motors are designed to conserve wide margins against eventual overloads, having a temperature rise that is, at rated power, much lower than the operating temperature limit given by their insulation class. This fact increases considerably the motors life length. Such "ΔT" values are evidenced in the following performance charts. (see further details about temperature rise in the "technical data" section of this catalogue)

ASSISTED POWER COOLING

For application with a power supply at certain frequencies (see following graph), a power cooling system (IC-416) must be used.

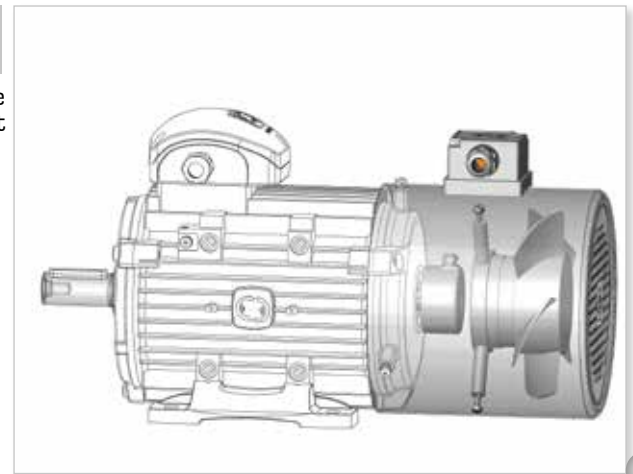


Motive power cooling systems are three-phase 400/50 400/60, IP 55, and with separate terminal box. "Upon request, single phase, ATEX, 24Vdc and special voltage power cooling systems are also available."



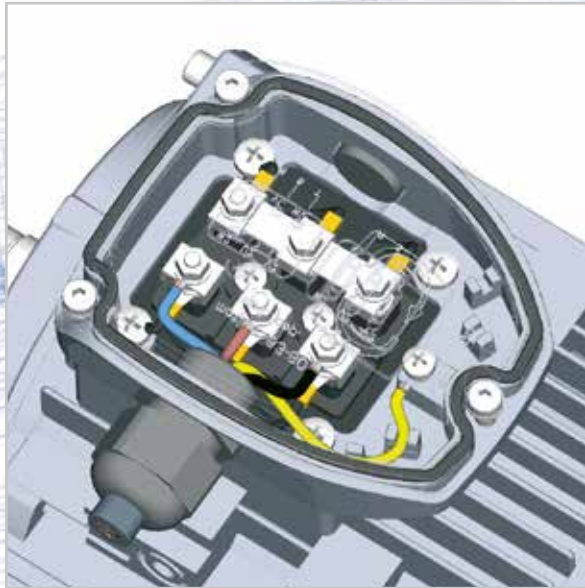
ENCODER

Motors with incremental, absolute and profinet encoders or special shaft configurations for encoder mounting are available upon request. In this case, assisted power cooling is also available.



WIRING DIAGRAMS

Motive three phase motors can be connected "Star" or "Delta".



STAR CONNECTION

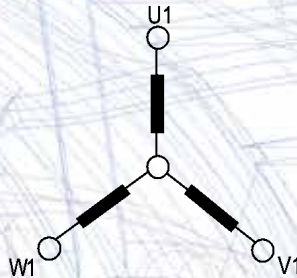
Star connection is obtained by connecting together the terminals W2, U2, V2 and supplying the terminals U1, V1, W1.

The phase current I_{ph} and the phase voltage U_{ph} are

$$I_{ph} = I_n$$

$$U_{ph} = U_n / 1,74$$

where I_n is the supply line current and U_n is the supply line voltage of Star connection



the following voltages and frequencies are inside the standard power supply of all three-phase motive motors, under S1 duty service:

Size	Hz	Volts	
56-132	50 ±5%	230	400
		220	380
		240	415
	60 ±5%	260	440
		220	380
		265	460
112-355	50 ±5%	280	480
		400	690
		380	660
	60 ±5%	415	720
		440	760
		380	660
		460	795
		480	830

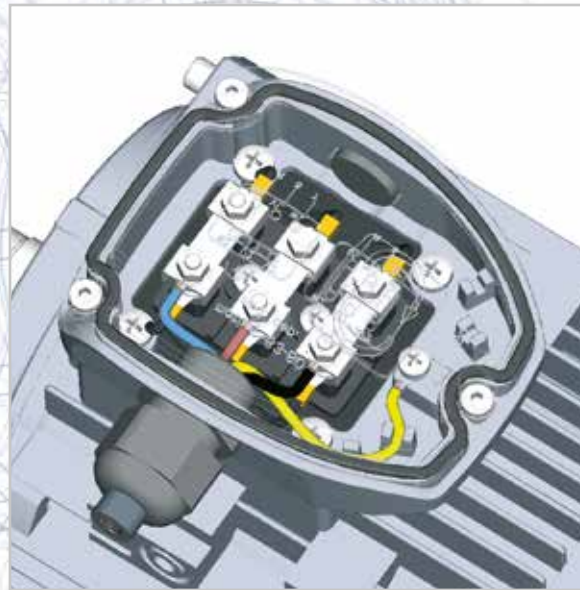
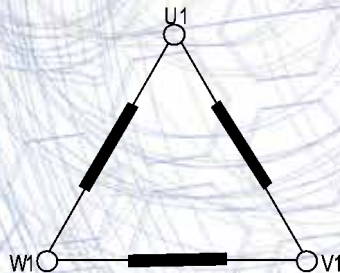
DELTA CONNECTION

Delta connection is obtained by connecting the end of a phase with the beginning of the following one. The phase current I_{ph} and the phase voltage U_{ph} are respectively:

$$I_{ph} = I_n / 1,74$$

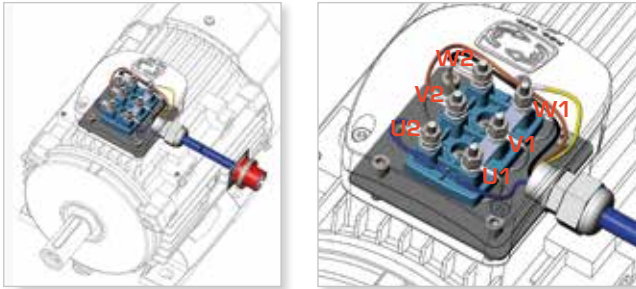
$$U_{ph} = U_n$$

where I_n and U_n are referred to Delta connection. The star-delta start is the easiest way to reduce the current and the starting torque. The motors whose rated voltage in delta connection corresponds to the mains voltage can be started with the star-delta method

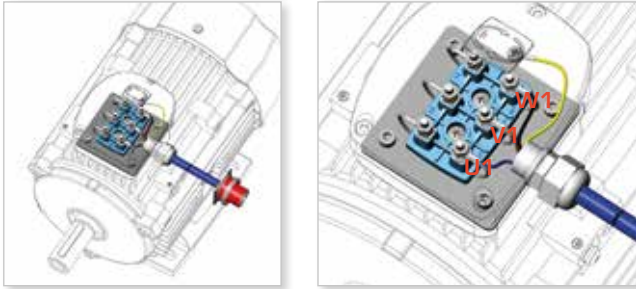


Double polarity motor, single winding (dahlander)

High-speed connection



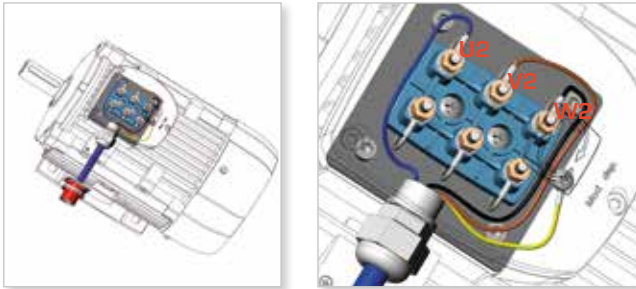
Low-speed connection



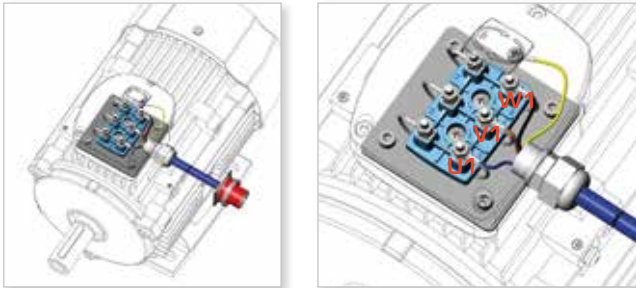
To use the 2 speeds, you must adopt a 6+1 wires cable and connect an external switch

Double polarity motor, with double winding

High-speed connection

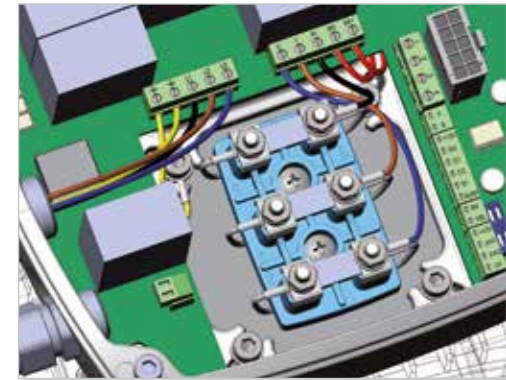
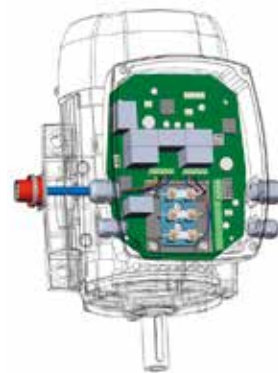
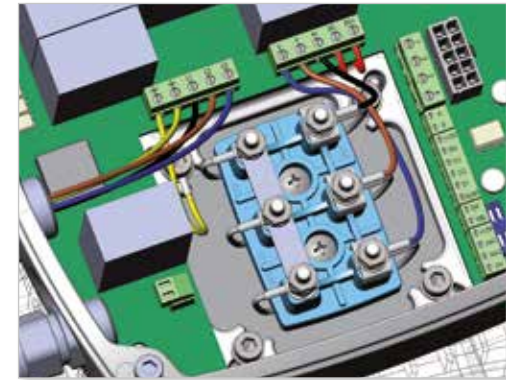
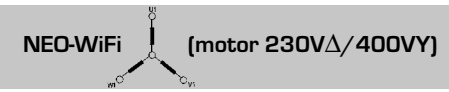
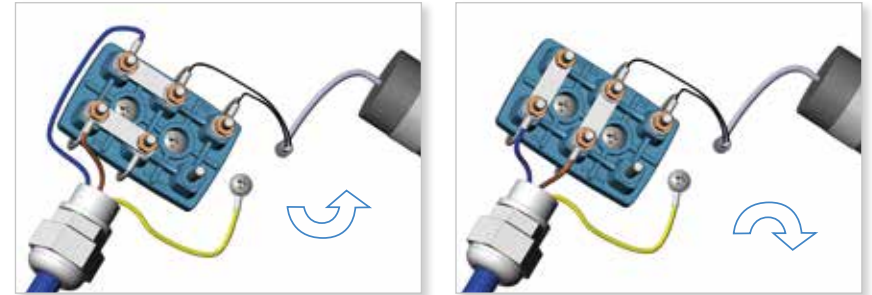


Low-speed connection



To use the 2 speeds, you must adopt a 6+1 wires cable and connect an external switch

Single phase motors



THREE-PHASE SELF-BRAKING MOTORS SERIES DELPHI AT

Delphi ATDC, AT24 and ATTD series self-braking motors use one or 2 spring-pressure brakes, firmly spliced onto a cast iron shield at the back of the motor.

These motors include a series of characteristics normally considered options by other brands, like:

- The standard hand lever permits to release the brake, making it possible to move manually the shaft,

- The PTO thermal protectors in the winding are a standard up to size 132. PTC are a standard from size 160 and up

- Easy separate connection of the brake in case that the motor is connected to an inverter.

On ATDC and ATTD, the separate brake power supply is achieved, whenever needed, by connecting directly to the brake terminal board located inside the motor terminal box.

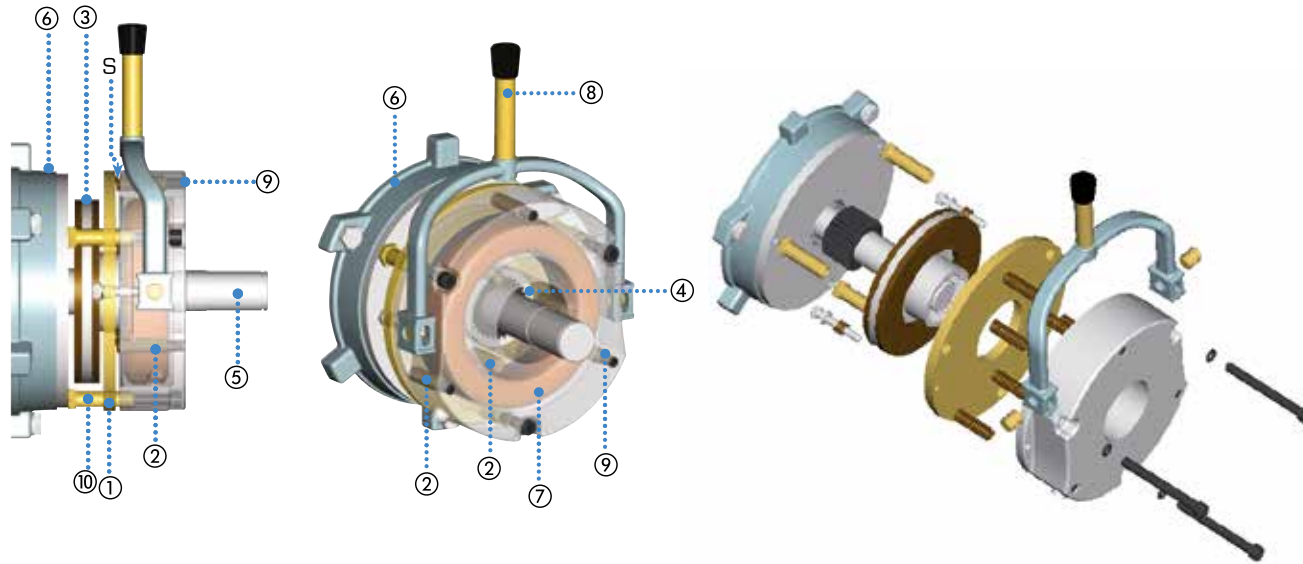
On AT24, the 24Vdc single or double brakes are designed to be directly connected to an inverter (usually having a 24Vdc plug)

On request, the brakes can be modified to be extremely silent for usage in special environments like theatres



IEC Type	ATDC						AT24				ATDC AT24	ATTD
	Static max braking torque [Nm]	standard vers. braking time no-load [Sec]	"TA version" braking time [Sec]	input voltage on rectifier [Vac]	output voltage to brake [Vdc]	brake power [W]	Static max braking torque [Nm]	Static min braking torque [Nm]	Braking time no-load [Sec]	brake power [W]	extra Kg on std	extra Kg on std
AT..63	4,5	0,15	<0,05	220-280 [opt. 380-480]	99-126 [opt. 171-216]	20	4,5	4,0	0,06	20	+4	+7,5
AT..71	8,0	0,15	<0,05	220-280 [opt. 380-480]	99-126 [opt. 171-216]	28	4,5	4,0	0,06	20	+5	+9
AT..80	12,5	0,20	<0,05	220-280 [opt. 380-480]	99-126 [opt. 171-216]	30	10,0	9,0	0,09	25	+5,5	+10
AT..90	20,0	0,25	<0,05	220-280 [opt. 380-480]	99-126 [opt. 171-216]	45	16,0	12,0	0,11	45	+6	+11
AT..100	38,0	0,30	<0,05	220-280 [opt. 380-480]	99-126 [opt. 171-216]	60	32,0	28,0	0,14	60	+7	+12,5
AT..112	55,0	0,35	<0,05	380-480	171-216	65	60,0	55,0	0,15	65	+10	+19
AT..132	90,0	0,40	<0,05	380-480	171-216	90	90,0	80,0	0,16	85	+12	+23
AT..160	160,0	0,50	<0,05	380-480	171-216	110	160,0	130,0	0,21	105	+22	+42
AT..180	250,0	0,50	<0,05	380-480	171-216	130					+32	+62
AT..200	420,0	0,50	<0,05	380-480	171-216	140					+40	+77
AT..225	450,0	0,50	<0,05	380-480	171-216	160					+52	+100
AT..250	550,0	0,50	<0,05	380-480	171-216	170					+80	+155
AT..280	900,0	0,50	<0,05	380-480	171-216	360					+106	+209
ATTD	ATTD= ATDCx2						ATTD= ATDCx2					

ATDC



- ① Mobile armature
- ② springs
- ③ Brake disc
- ④ Driver
- ⑤ Motor shaft
- ⑥ Motor flange
- ⑦ Electromagnet
- ⑧ Release lever
- ⑨ Adjuster screws
- ⑩ Threaded bush
- ⑪ braking torque setting knob
- ⑫ ATTD connection plate

S Air gap

BRAKE DESCRIPTION

The delphi AT... series brakes are electromagnetic brakes with negative operation, whose braking action is exercised in the absence of power supply.

The brakes insulation class is F.

The brakes lining is asbestos-free.

The rectifier is of relays type, with protection varistors at the entry and the exit. All brake assemblies are protected against corrosion by painting or heat galvanizing and resined winding. The parts most subject to wear are treated in special atmospheres that provide considerable wear resistance to the parts.

BRAKE OPERATION

When the power supply is interrupted, the excitation coil ⑦ is no longer powered and therefore doesn't exert the magnetic force necessary to restrain the mobile armature ①, which, pushed by the pressure springs ②, compresses the brake disc ③ against the motor flange ⑥ on one side and the armature itself on the other, thereby creating a braking action.

AT24



ATTD



ADJUSTMENT

Two different types of adjustment are possible [download the technical manual from www.motive.it]

Between electromagnet ⑦ and the mobile armature.

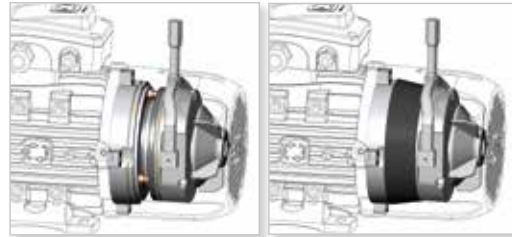
The braking torque is set to its max level by Motive, but it can be decreased by acting on the adjuster screws ⑨ [ATDC and ATTD motors] or on the knob ⑪ [AT24].

MANUAL RELEASE

Motive brake motors are supplied with the manual release lever in their standard version. If not wished, the lever is like a screw, that can be taken away simply turning it. ATTD tandem brake motors, from size 180 up to sized 280, cannot have the manual release.

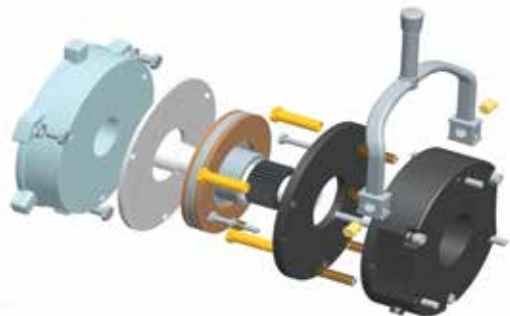


In order to safeguard the braking torque, it is necessary to clean periodically the parts inside the rubber ring seal by the dust created by the disc lining.



STAINLESS STEEL BRAKING SURFACE

When high humidity in the air can rust fastly the contact surface between the brake disc and the cast-iron NDE shield of the motor, you can request to motive to add a stainless steel shield.

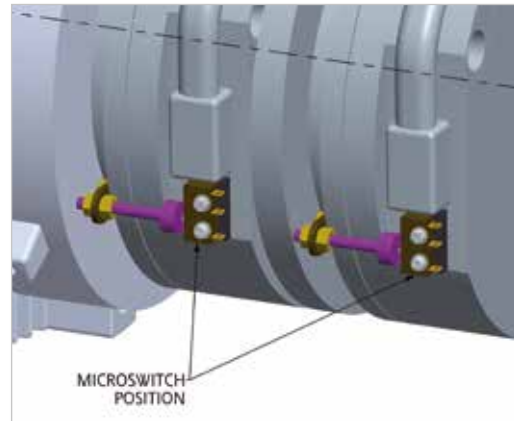


IP

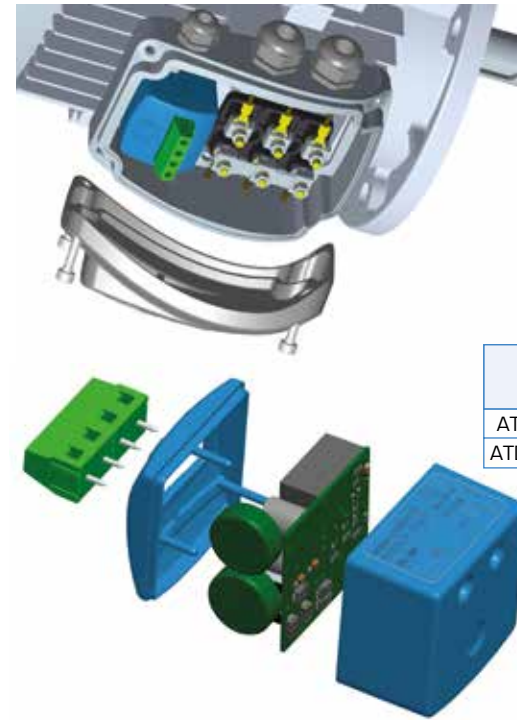
AT.. brakes are IP66 under an electrical point of view, but mechanically, in case of an outdoor use, they should be protected by rust and by disc adhesion effects given by humidity. In such a case, we suggest to use our protective rubber ring seals. This device prevents the exit or ingress of dust, humidity, dirt, etc., out of or into the braking area. It is inserted into the groove on the stator. If your brake doesn't have such a groove, you must order a specifically machined brake for that.

MICRO-SWITCHES TO DETECT BRAKE POSITION

Optional.



POWER SUPPLY



ATDC brakes are DC brakes power supplied by a rectifier installed inside the motor main terminal box.

The following table shows the tensions on the rectifier and the brake of ATDC model

Type	input voltage on rectifier [Vac]	output voltage to brake [Vdc]
ATDC 63-100	220-280	99-126
ATDC 112-280	380-480	171-216

Unless there's a different request of the client, motive supplies ATDC brake motors with the rectifier already connected directly to the main terminal block of the motor (fig. 1 and 2), in order to permit to the motor switching to act at the same time on the brake.

In case that the motor is power supplied by a frequency inverter (fig. 3), or at a special voltage*, or at a low tension during the start, or in case that the motor is used to move loads which can have an inertial movement, like lifted weights (such inertial movement can move the motor when the power is switched off, and the motor can act like a generator on the rectifier avoiding the brake locking), disconnect the motor main terminal board from the rectifier, and connect separately the rectifier (ATDC) (fig. 3 and 4).

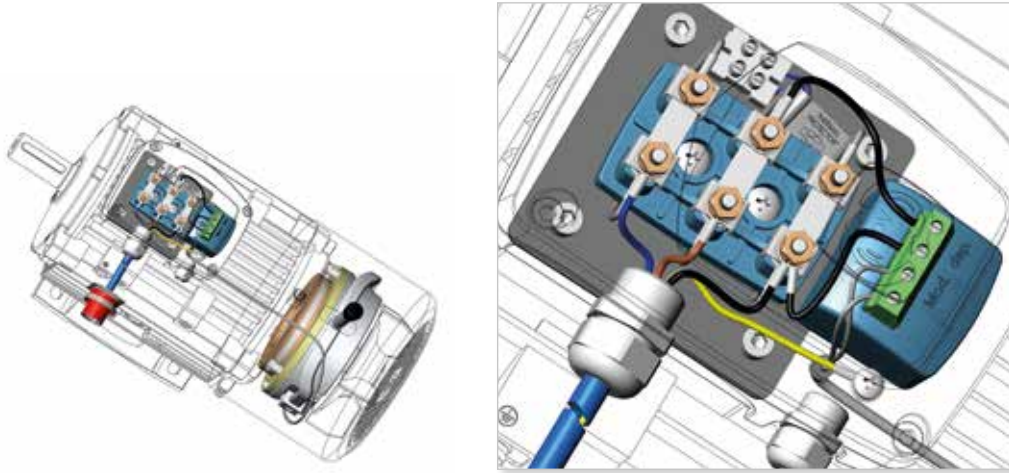
TA special rectifier permits to solve the problem of inertial movements with no need for a separate power supply to the rectifier (fig 2)

This exclusive rectifier offers the following innovations:

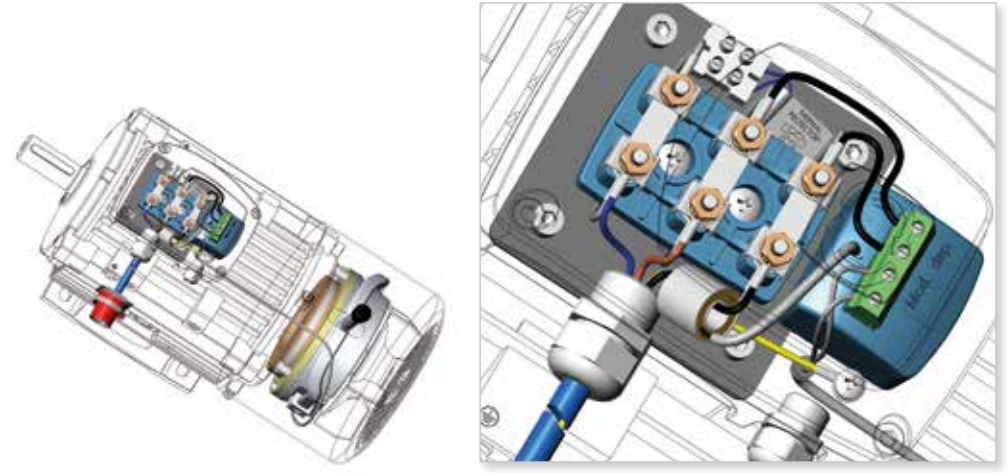
- double semi-wave technology.
- special vibration proof 6 Ampere relays (like the ones used on Ducati race motorbikes).
- electric arcs ultra resistant contacts in silver alloy.
- relays system instead of normal mosfets system, thus more resistant against tension peaks, even if impulsive.
- an in-built current reading system which controls the current sinusoid and the relay commutation time.

What's the advantage? Rectifier is normally the "brain" and the fragile point of any dc brake motor. This rectifier is stronger against disturbs coming from power line, much stronger than what required by European EMC rules for industrial environment; they are more resistant against vibrations; and they are faster.

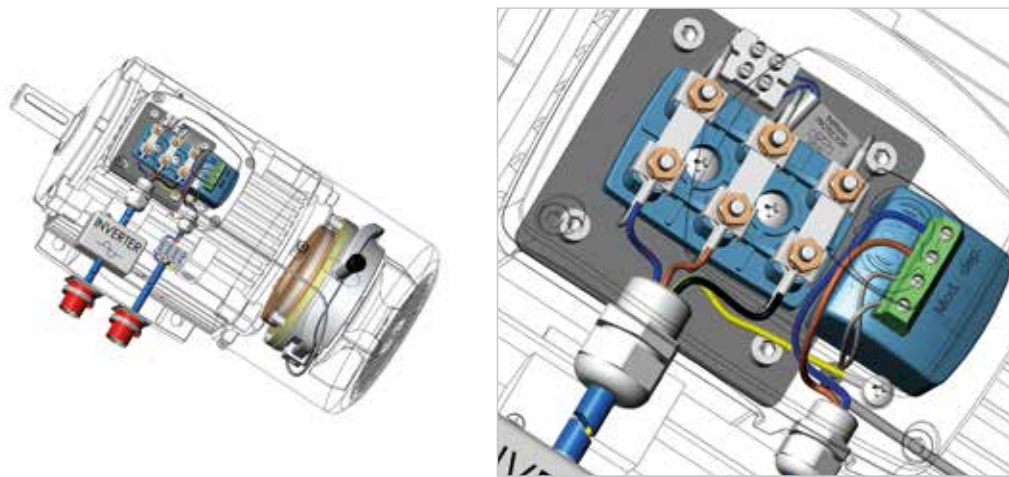
ATDC Δ - 400Vac/180Vdc rectifier (fig.1)



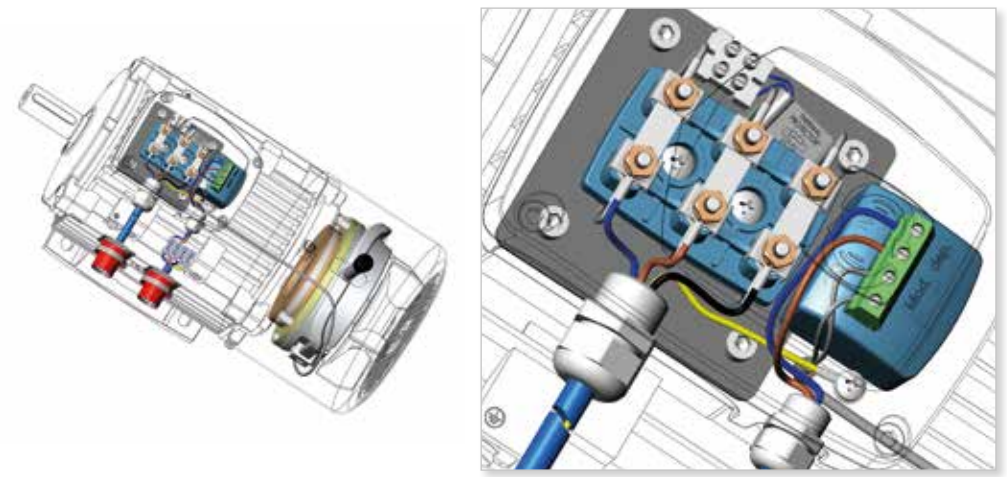
ATDC Δ 400Vac/180Vdc TA rectifier (fig.2)



ATDC Δ (separate 400Vac/180Vdc rectifier) + inverter (fig. 3)



ATDC Δ + separate 400Vac/180Vdc rectifier connection (fig. 4)



Configure what you need by this automatic consultant, and get CAD files and data sheets

Motive configurator allows you to shape Motive products, combine them as you want, and finally to download 2D/3D CAD drawings, and a PDF datasheet.

Search by performance

If you're not sure about the best products combination that you should select for your purpose, you can input your wishes, like final torque, final speed, use, etc, and the configurator will act like a consultant.

It will give you a list of applicable product configurations; you can then download a PDF data sheet featuring performance data and dimensional drawings for each configuration, as well as 2D and 3D drawings.

















Search by product

To be used if you already know the product configuration that you want, and you just want to get quicker a PDF data sheet featuring performance data and dimensional drawings for 2D and 3D drawings.



free access without login
<http://www.motive.it/configuratore.php>

MOTOR CONFIGURATIONS AND INSTALLATION POSITIONS (IEC 34-7)

MOTORS WITH FEET B3		FLANGE-MOUNTED MOTORS B5	FLANGE-MOUNTED MOTORS B14
 IM1051 (IM B6)	 IM1001 (IM B3)	 IM3001 (IM B5)	 IM3601 (IM B14)
 IM1061 (IM B7)	 IM1011 (IM V5)	 IM3011 (IM V1)	 IM3611 (IM V18)
 IM1071 (IM B8)	 IM1031 (IM V6)	 IM3031 (IM V3)	 IM3631 (IM V19)
B3/B5  IM2001 (IM B35)	B3/B14  IM2101 (IM B34)	V1/V5  IM2011 (IM V15)	V3/V6  IM2031 (IM V36)





IE2 IE3

B3 **B5** **B14** **B5R / B14B**

TYPE	POLES	AD	AD	H	KK	L	L	D	DH	E	Q	F	G	A	AB	B	C	K	M	N	P	R	S	T	M	N	P	R	S	T	M	N	P	R	S	T		
56	2-8	102	-	56	M16	198	-	9	M4x12	20	3	3	7,2	90	111	71	36	5,8	100	80	120	0	7x4	3	65	50	80	0	M5	2,5	-	-	-	-	-	-		
63	2-8	107	116	63	M20	215	-	11	M4x12	23	3	4	8,5	100	123	80	40	7	115	95	140	0	10x4	3	75	60	90	0	M5	2,5	100	80	120	0	M6	2,5		
71	2-8	119	124	71	M20	244	-	14	M5X12	30	3	5	11,0	112	138	90	45	7	130	110	160	0	10x4	3,5	85	70	105	0	M6	2,5	115	95	140	0	M8	3,0		
80	2-8	130	139	80	M20	283	283	19	M6X16	40	3	6	15,5	125	157	100	50	10	165	130	200	0	12x4	3,5	100	80	120	0	M6	3,0	130	110	160	0	M8	3,5		
90S	2-8	145	146	90	M20	310	330	24	M8X19	50	5	8	20,0	140	173	100	56	10	165	130	200	0	12x4	3,5	115	95	140	0	M8	3,0	130	110	160	0	M8	3,5		
90L	2-8	145	146	90	M20	338	358	24	M8X19	50	5	8	20,0	140	173	125	56	10	165	130	200	0	12x4	3,5	115	95	140	0	M8	3,0	130	110	160	0	M8	3,5		
100	2-8	157	161	100	M20	373	393	28	M10X22	60	5	8	24,0	160	196	140	63	12	215	180	250	0	15x4	4	130	110	160	0	M8	3,5	165	130	200	0	M10	3,5		
112M	2-8	177	177	112	M25	390	410	28	M10X22	60	5	8	24,0	190	227	140	70	12	215	180	250	0	15x4	4	130	110	160	0	M8	3,5	165	130	200	0	M10	3,5		
132S	2-8	197	195	132	M32	460	480	38	M12X28	80	5	10	33,0	216	262	140	89	12	265	230	300	0	15x4	4	165	130	200	0	M10	3,5	215	180	250	0	M10	4,0		
132M	2-8	197	195	132	M32	496	516	38	M12X28	80	5	10	33,0	216	262	178	89	12	265	230	300	0	15x4	4	165	130	200	0	M10	3,5	215	180	250	0	M10	4,0		
160M	2-8	255	255	160	2xM40	615	615	42	M16X36	110	5	12	37,0	254	320	210	108	15	300	250	350	0	19x4	5	215	180	250	0	M12	4,0								
160L	2-8	252	252	160	2xM40	710	710	42	M16X36	110	5	12	37,0	254	320	254	108	15	300	250	350	0	19x4	5	215	180	250	0	M12	4,0								
180M	2-8	270	270	180	2xM40	730	730	48	M16X36	110	8	14	42,5	279	355	241	121	15	300	250	350	0	19x4	5														
180L	2-8	270	270	180	2xM40	780	780	48	M16X36	110	8	14	42,5	279	355	279	121	15	300	250	350	0	19x4	5														
200L	2-8	303	303	200	2xM50	771	771	55	M20X42	110	12	16	49,0	318	395	305	133	19	350	300	400	0	19x4	5														
225S	2-8	312	312	225	2xM50	815	815	60	M20X42	140	12	18	53,0	356	435	286	149	19	400	350	450	0	19x8	5														
225M	2	312	312	225	2xM50	820	820	55	M20X42	110	12	16	49,0	356	435	286/311	149	19	400	350	450	0	19x8	5														
225M	4-8	312	312	225	2xM50	850	850	60	M20X42	140	12	18	53,0	356	435	286/311	149	19	400	350	450	0	19x8	5														
250M	2	355	355	250	2xM63	910	910	60	M20X42	140	12	18	53,0	406	490	349	168	24	500	450	550	0	19x8	5														
250M	4-8	355	355	250	2xM63	910	910	65	M20X42	140	12	18	58,0	406	490	349	168	24	500	450	550	0	19x8	5														
280S	2	398	398	280	2xM63	985	985	65	M20X42	140	12	18	58,0	457	550	368	190	24	500	450	550	0	19x8	5														
280S	4-8	398	398	280	2xM63	985	985	75	M20X42	140	12	20	67,5	457	550	368	190	24	500	450	550	0	19x8	5														
280M	2	398	398	280	2xM63	1035	1035	65	M20X42	140	12	18	58,0	457	550	368/419	190	24	500	450	550	0	19x8	5														
280M	4-8	398	398	280	2xM63	1035	1035	75	M20X42	140	12	20	67,5	457	550	368/419	190	24	500	450	550	0	19x8	5														
315S	2	530	-	315	2xM63	1160	1160	65	M20X42	140	15	18	58,0	508	630	406	216	28	600	550	660	0	24x8	6														
315S	4-8	530	-	315	2xM63	1270	1270	80	M20X42	170	15	22	71,0	508	630	406	216	28	600	550	660	0	24x8	6														
315M	2	530	-	315	2xM63	1190	1190	65	M20X42	140	15	18	58,0	508	630	457	216	28	600	550	660	0	24x8	6														
315M	4-8	530	-	315	2xM63	1300	1300	80	M20X42	170	15	22	71,0	508	630	457	216	28	600	550	660	0	24x8	6														
315L	2	530	-	315	2xM63	1320	1320	65	M20X42	140	15	18	58,0	508	630	508	216	28	600	550	660	0	24x8	6														
315L	4-8	530	-	315	2xM63	1350	1350	80	M20X42	170	15	22	71,0	508	630	508	216	28	600	550	660	0	24x8	6														
355M	2	655	-	355	2xM63	1500	1500	75	M20X42	140	15	20	67,5	610	730	560/630	254	28	740	680	800	0	24x8	6														
355M	4-8	655	-	355	2xM63	1530	1530	95	M20X42	170	15	25	86,0	610	730	560/630	254	28	740	680	800	0	24x8	6														
355L	2	655	-	355	2xM63	1500	1500	75	M20X42	140	15	20	67,5	610	730	560/630	254	28	740	680	800	0	24x8	6														
355L	4-8	655	-	355	2xM63	1530	1530	95	M20X42	170	15	25	86,0	610	730	560/630	254	28	740	680	800	0	24x8	6														

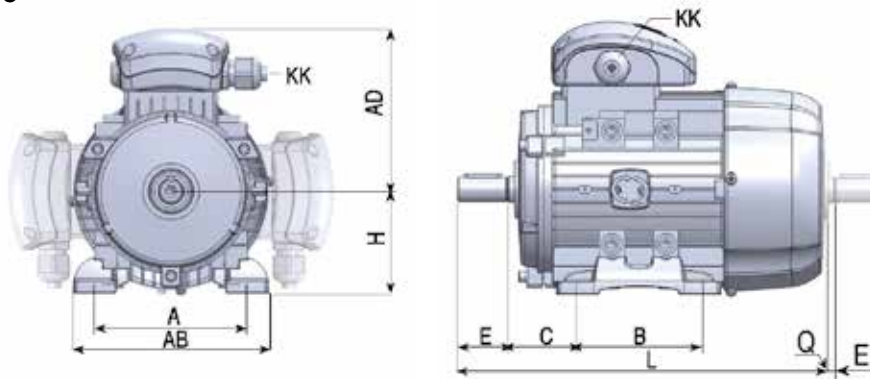
For the dimensional data of delfire series, ask to our commercial office.

TYPE	POLES	SV	SV	ATDC	ATDC+SV	ATTD	ATTD+SV
		IE2	IE3	AT24	AT24+SV		
		L	L	L	L	L	L
56	2-8	-	-	-	-	-	-
63	2-8	301	-	276	401	321	438
71	2-8	341	-	300	442	365	497
80	2-8	388	-	340	509	417	560
90S	2-8	420	440	385	566	465	577
90L	2-8	445	465	410	591	490	602
100	2-8	483	503	450	621	488	647
112M	2-8	525	545	475	668	563	693
132S	2-8	590	610	557	765	640	795
132M	2-8	625	645	590	803	677	832
160M	2-8	765	765	720	1009	820	929
160L	2-8	860	860	771	1104	882	1033
180M	2-8	860	860	847	990	995	1140
180L	2-8	910	910	888	1038	1044	1188
200L	2-8	973	973	890	1013	1050	1178
225S	2-8	955	955	935	1090	1115	1125
225M	2	955	955	935	1090	1115	1125
225M	4-8	985	985	965	1120	1145	1255
250M	2	1045	1045	1075	1211	1285	1466
250M	4-8	1045	1045	1075	1211	1285	1466
280S	2	1105	1105	1175	1274	1355	1444
280S	4-8	1105	1105	1175	1274	1355	1444
280M	2	1160	1160	1230	1329	1410	1499
280M	4-8	1160	1160	1230	1329	1410	1499
315S	2	1400	1400				
315S	4-8	1430	1430				
315M	2	1500	1500				
315M	4-8	1530	1530				
315L	2	1500	1500				
315L	4-8	1530	1530				
355M	2	1740	1740				
355M	4-8	1770	1770				
355L	2	1740	1740				
355L	4-8	1770	1770				

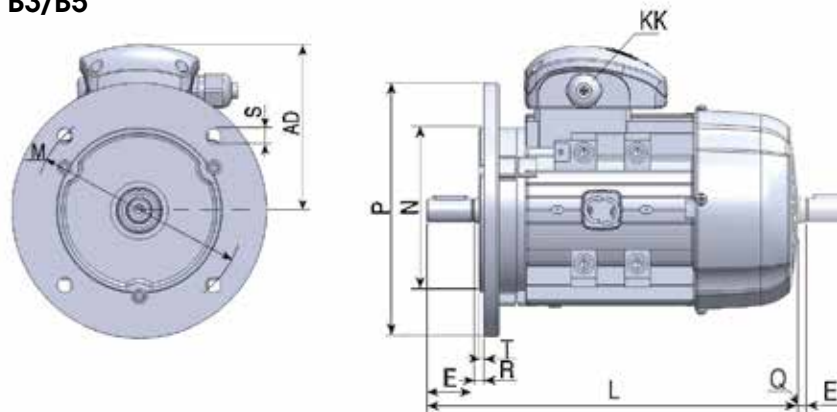


you can download 2D and 3D drawings from www.motive.it

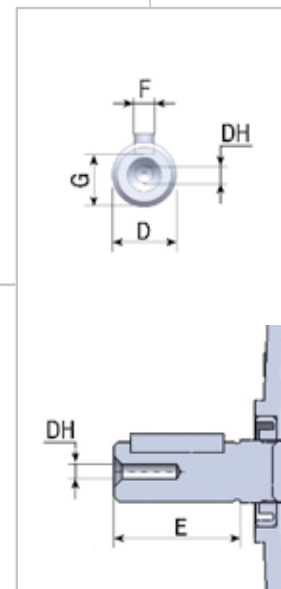
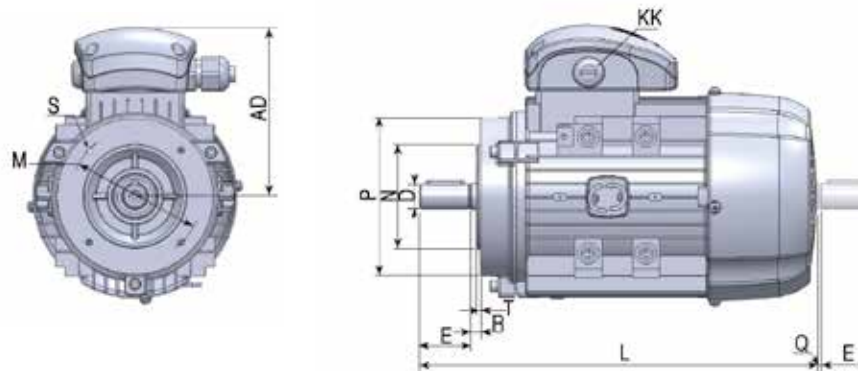
B3



B5, B3/B5



B14, B5R/B14B



The general electrical specifications are listed in the performance charts that follow. To understand their contents, the following general definitions are provided.

Rated Power:
it is the mechanical power measured at the shaft expressed, according to the latest indications of international Standards Committees, in Watts or Kwatts. However, in the engineering sector it is still common to refer to power in terms of HP

Rated Voltage:
the voltage to be applied to the motor terminals in accordance with the specifications in the following tables

Frequency:
All electrical data in this catalogue refer to three-phase wound motors at 50 Hz. These may be connected to 60 Hz, taking into account the multiplier coefficients in the table below

Rated Current:
"In" is the Rated Current, expressed in Ampere, absorbed by the motor when supplied at Rated Voltage Vn (V) and giving the Rated Power Pn (W) and it is obtained by the formula

$$I_n = \frac{P_n}{\sqrt{3} \cdot V_n \cdot \eta \cdot \cos\varphi} \text{ (A)}$$

In the following tables, the rated currents are referred to a Voltage supply of 400V. For other voltage supplies the absorbed rated current can be considered inversely proportional to the voltage supply.
EX:

Volt	230	380	400	440	690
In	1,74	1,05	1,00	0,91	0,64

Rated torque:
Cn is expressed in Nm, and it corresponds to the rated power and rated rpm. It is given by the multiplication of the force for the arm (distance) and it is measured in Nm because the force is expressed in Newton and the distance in metres. The rated torque value is obtained by the formula

$$C_n \text{ (Nm)} = P_n \times 9550 / \text{rpm}$$

Pn= Rated power in KW
rpm= rated rotation speed

Efficiency:
η is expressed in % and it is given by the relation between the output Power and the addition of output Power and the electric losses of the motor, that is the input power absorbed by the motor. The electric motors losses are mainly of two kinds: for joule effect (rotor and stator) and iron losses. The latest cause essentially heat. An higher efficiency means energy savings, lower heating, longer life of insulating materials.

The smaller a motor is, the more the presence of a double lip oil seal as the ones used on the drive end of delphi flanged motors (B5 or B14) may affect, following the friction generated, performance. The motors B3 up to size 132, however, have V-rings with an almost non existent level of friction. For simplicity, the following performance tables indicate the levels of absorption and performance measured on B14 motors for size 56 and B3 motors for size 63 and above.

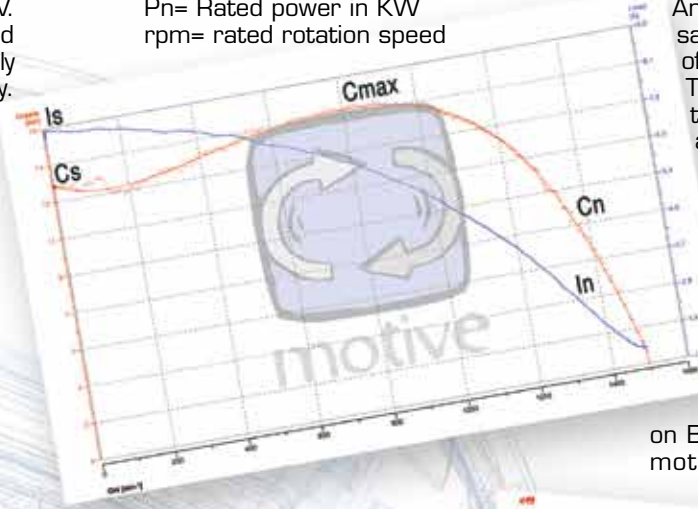
rated voltage at 50Hz	Volt at 60Hz	rated power W	In (A)	Cn (Nm)	rpm	Is (A)	Cs (Nm)	Cmax (Nm)
230 ± 10%	230 ± 5%	1	1	0,83	1,2	0,83	0,83	0,83
230 ± 10%	230 ± 10%	1	0,95	0,83	1,2	0,83	0,83	0,83
230 ± 10%	240 ± 5%	1,05	1	0,87	1,2	0,87	0,87	0,87
400 ± 10%	380 ± 5%	1	1	0,83	1,2	0,83	0,83	0,83
400 ± 10%	400 ± 10%	1	0,95	0,83	1,2	0,83	0,83	0,83
400 ± 10%	415 ± 10%	1,05	1	0,87	1,2	0,87	0,87	0,87
400 ± 10%	440 ± 10%	1,10	1	0,90	1,2	0,93	0,93	0,93
400 ± 10%	460 ± 5%	1,15	1	0,96	1,2	0,96	0,96	0,96
400 ± 10%	480 ± 5%	1,20	1	1	1,2	1	1	1

for further information, see chapter "wiring diagrams" at page 12

Synchronous speed:
is expressed in rpm and it is obtained by the formula
 $f = 120/p$
f= supply frequency Hz
p= number of poles pairs

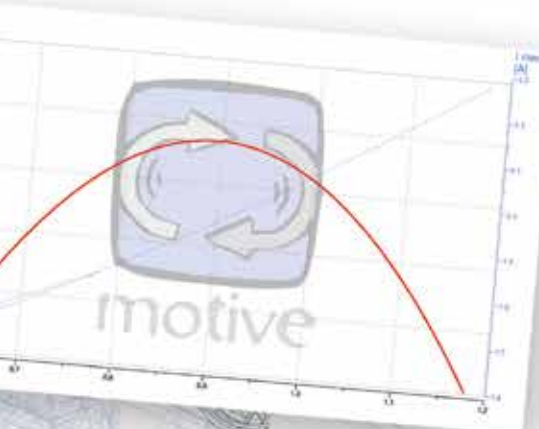
Motive motors can face also temporary overloads, with Current increases of 1.5 times the rated current for at least 2 minutes.

Starting current (or locked rotor current):
(you see diagram)



Starting torque (or locked rotor torque):
Cs is the torque that the motor can provide with the rotor at a standstill and the rated power supply.

Maximum torque:
Cmax is the maximum torque developed by the motor at the rated power supply, at a certain speed. It represents also the value of the resistant torque after which the motor stops. In the following performance charts, it is indicated the relation between maximum torque and rated torque and maximum torque



Power factor or cosφ:
it represents the coseno of the voltage and current gap angle.

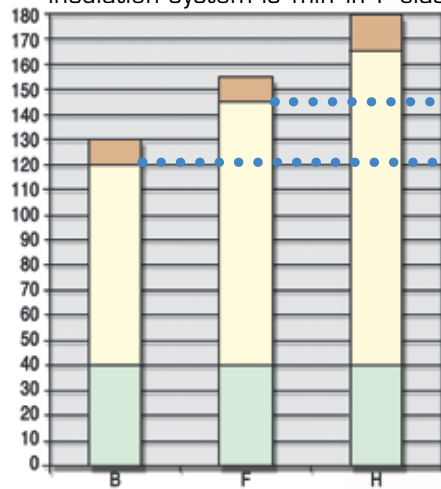
TECHNICAL DATA

temperature rise ΔT :

The temperature rise " ΔT " is the change in temperature of the entire winding of the motor, including the wire placed deep inside the stator slots, when it is being operated at full load.

For example: if a motor is located in a room with a temperature of 40°C, and then is started and operated continuously at the rated power, the winding temperature would rise from 40°C to a higher temperature. The difference between its starting temperature and the final inner elevated temperature, is the ΔT . Almost all our motors are designed to offer a temperature rise of B class or even lower, while their insulation system is min in F class.

Class	amb T (°C)	ΔT (°C)	hot spot allowance (°C)	Tmax (°C)
A	40	60	5	105
E	40	75	5	120
B	40	80	5	130
F	40	105	10	155
H	40	125	15	180



example of overload capability (=life bonus) of an F class motor, with B class temperature rise

hot spot allowance
 ΔT
T. amb.

This extra margin gives the motor a "life bonus". As a rule of thumb, insulation life will be doubled for each 10 degrees of unused insulation temperature capability.

The most common method of measuring the temperature rise of a motor is based on the differences between the cold and hot ohmic resistance of the winding.

The formula is:

$$\Delta T [^{\circ}\text{C}] = (R2-R1)/R1 * (234,5+T1)-(T2-T1) \text{ Where:}$$

R1 = Cold winding resistance in Ohms (just before that the test begins)

R2= Hot winding resistance in Ohms (when the motor has reached its thermal equilibrium)

T1= ambient temperature in °C when test begins

T2= ambient temperature in °C when test is stopped

To change ΔT from Centigrade to Fahrenheit:

$$^{\circ}\text{C} (\Delta T) \times 1,8$$

Note: The motor surface temperature will never exceed the internal temperature of the motor, and will depend upon the design and cooling arrangements.

Noise:

The noise is expressed in dB(A). The measures must be taken in accordance with the standard ISO 1680-2, in order to find the Sound Power level LwA measured at 1m of distance from the perimeter of the machine.

EN 60034-9 standard describes the acoustic Power limits to be respected, indicating the maximum sound power level **LwA**. The noise values indicated in the performance charts that follow are referred to a no-load motor working, supplied at 50Hz and with a tolerance of +3 dB(A).

The moment of inertia can be calculated in this way:

$$J = [1/2] \times M \times (R^2)$$

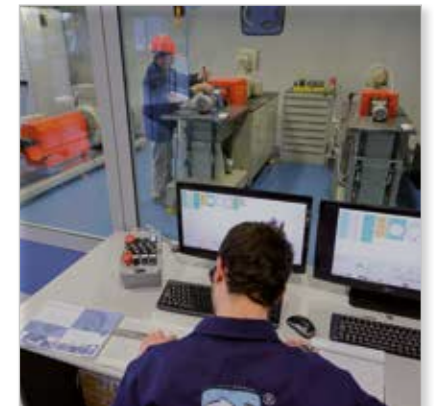
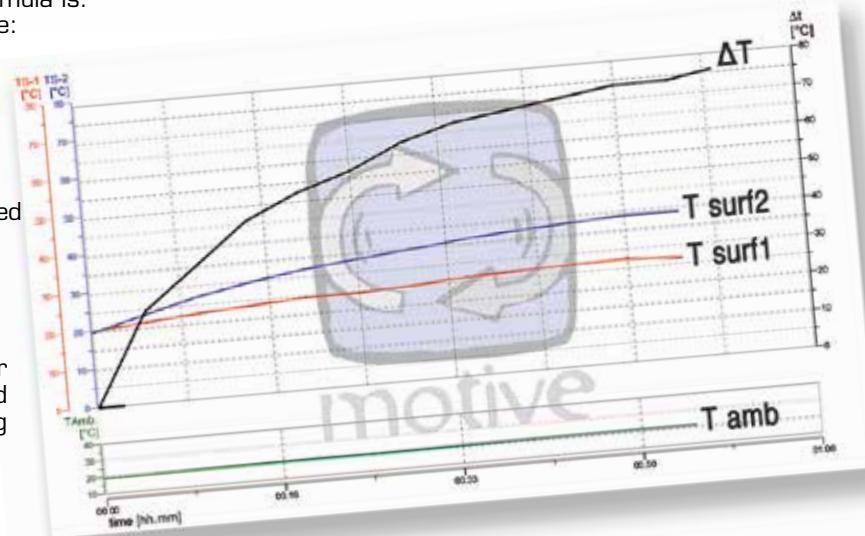
Where M [Kg] is the rotation mass, while R [m] is the ray of the volume at cylindrical symmetry.

TOLERANCES

The data of each motor are specified in this catalogue like requested by the norm IEC 34-1. This describes, in particular, the following tolerances:

Efficiency (Output Power input Power)	-15% di (1- η)
Power factor	1 / 6 of (1- $\cos\phi$) min. 0.02 max 0.07
Locked rotor torque	-15% of the guaranteed torque +25% of the guaranteed torque
Maximum torque	-10% -of the guaranteed torque, if torque is not less than 1,5- 1,6 the rated torque
Noise	+3dB
ΔT	+10°C

The test reports on which the following tables are based can be downloaded from the website www.motive.it





KW	Hp	Type	rpm	In [A]	Is [A]	Is/In	Cn [Nm]	Cs [Nm]	Cs/Cn	Cmax [Nm]	Cmax/Cn	η %				min IE2	min IE3	Pwr. Fact. Cosφ			ΔT [°C]	LwA [dB]	J Kgm²	Kg
												100%	IE...	75%	50%			100%	75%	50%				
0,13	0,18	56B-2	2635	0,36	1,06	3,0	0,47	0,95	2,0	0,94	2,0	65,5	IE3	65,3	63,0	53,6	60,8	0,806	0,639	0,500	15	60	0,00023	3,6
0,18	0,25	63A-2	2808	0,47	2,03	4,3	0,61	1,60	2,6	1,68	2,7	71,8	IE3	70,8	67,0	60,4	65,9	0,766	0,680	0,564	27	61	0,00031	4,5
0,25	0,35	63B-2	2780	0,63	2,81	4,5	0,86	2,30	2,7	2,40	2,8	74,6	IE3	70,9	65,0	64,8	69,7	0,770	0,540	0,450	55	61	0,00060	4,7
0,37	0,5	63C-2	2791	0,93	4,13	4,5	1,27	3,60	2,8	3,67	2,9	76,4	IE3	76,3	72,8	69,5	73,8	0,755	0,650	0,505	51	61	0,00075	5,7
0,37	0,5	71A-2	2820	0,94	4,33	4,6	1,25	2,90	2,3	3,53	2,8	74,0	IE3	73,7	69,1	69,5	73,8	0,770	0,670	0,525	43	64	0,00080	6,0
0,55	0,75	71B-2	2844	1,27	6,94	5,5	1,85	5,60	3,0	5,56	3,0	82,1	IE3	83,6	82,0	74,1	77,8	0,760	0,680	0,520	51	64	0,00090	6,3
0,75	1	71C-2	2819	1,69	9,06	5,4	2,54	7,70	3,0	7,72	3,0	79,7	IE2	80,5	78,8	77,4	80,7	0,806	0,700	0,581	61	64	0,00110	7,3
0,75	1	80A-2	2890	1,76	10,64	6,1	2,48	5,90	2,4	7,80	3,1	80,0	IE2	79,0	75,2	77,4	80,7	0,770	0,700	0,559	42	67	0,00132	10,0
1,1	1,5	80B-2	2875	2,36	14,18	6,0	3,65	16,60	4,5	11,70	3,2	83,8	IE3	84,8	84,0	79,6	82,7	0,803	0,730	0,610	48	67	0,00154	11,0
1,5	2	80C-2	2876	3,17	19,72	6,0	4,98	22,80	2,5	13,45	2,7	82,5	IE2	82,6	80,1	81,3	-	0,828	0,760	0,636	54	67	0,00242	12,5
1,5	2	90S-2	2864	3,17	18,62	5,9	5,00	12,30	2,5	15,32	3,1	82,1	IE2	82,1	79,7	81,3	-	0,833	0,760	0,640	62	72	0,00319	13,0
2,2	3	90L-2	2859	4,51	28,31	6,3	7,35	22,30	3,0	23,16	3,2	83,6	IE2	85,0	83,9	83,2	-	0,843	0,780	0,660	70	72	0,00605	14,0
3	4	100L-2	2882	5,94	38,10	6,4	9,94	23,70	2,4	19,75	2,0	84,7	IE2	85,4	83,0	84,6	-	0,860	0,813	0,704	78	76	0,01199	25,0
4	5,5	100LB-2	2863	7,61	47,90	6,3	13,34	34,00	2,5	40,23	3,0	85,9	IE2	87,3	86,6	85,8	-	0,883	0,840	0,757	80	76	0,01210	27,0
4	5,5	112M-2	2887	7,49	46,28	6,2	13,23	28,70	2,2	41,00	3,1	85,8	IE2	86,8	85,9	85,8	-	0,899	0,860	0,768	72	77	0,01386	28,0
5,5	7,5	112MB-2	2883	9,85	67,11	6,8	18,22	45,40	2,5	53,64	2,9	87,1	IE2	89,1	89,0	87,0	-	0,925	0,900	0,817	98	77	0,02068	34,0
5,5	7,5	132SA-2	2908	10,21	67,42	6,6	18,06	35,80	2,0	54,18	3,0	87,2	IE2	88,4	87,0	87,0	-	0,892	0,838	0,764	74	80	0,02750	40,0
7,5	10	132SB-2	2897	13,50	91,05	6,7	24,72	52,40	2,1	73,09	3,0	88,2	IE2	89,2	88,8	88,1	-	0,909	0,871	0,803	89	80	0,03300	45,5
9,2	12,5	132MA-2	2906	16,16	126,72	7,8	30,23	77,40	2,6	90,70	3,0	89,3	IE2	90,0	89,9	88,8	-	0,920	0,900	0,870	72	81	0,03740	53,0
11	15	132MB-2	2895	19,03	146,56	7,7	36,29	90,72	2,5	108,86	3,0	89,5	IE2	90,4	89,9	89,4	-	0,932	0,916	0,886	91	81	0,03960	55,0
11	15	160MA-2	2932	19,82	127,63	6,4	35,83	78,40	2,2	56,10	1,6	89,5	IE2	89,3	87,3	89,4	-	0,895	0,870	0,810	56	86	0,04147	110,0
15	20	160MB-2	2925	26,91	151,67	5,6	48,97	111,20	2,3	75,73	1,5	90,4	IE2	90,5	88,3	90,3	-	0,890	0,853	0,794	91	86	0,05489	120,0
18,5	25	160L-2	2928	32,46	210,47	6,5	60,34	136,40	2,3	65,93	1,1	91,1	IE2	91,5	89,8	90,9	-	0,903	0,876	0,826	95	86	0,06050	135,0
22	30	180M-2	2959	39,26	278,51	7,1	71,00	174,50	2,5	220,80	3,1	91,4	IE2	90,8	88,4	91,3	-	0,885	0,860	0,804	60	89	0,08250	165,0
30	40	200LA-2	2959	52,77	332,71	6,3	96,82	245,00	2,5	309,83	3,2	92,2	IE2	93,2	89,5	92,0	-	0,890	0,871	0,811	63	92	0,13640	217,0
37	50	200LB-2	2949	64,06	391,35	6,1	119,82	260,00	2,2	330,00	2,8	92,5	IE2	92,3	89,0	92,5	-	0,901	0,888	0,841	40	92	0,15290	243,0
45	60	225M-2	2963	78,28	472,34	6,0	145,04	320,00	2,2	380,00	2,6	93,5	IE2	93,3	90,2	92,9	-	0,887	0,865	0,804	69	92	0,25630	320,0
55	75	250M-2	2981	95,63	545,37	5,7	176,20	352,40	2,0	475,74	2,7	93,5	IE2	91,6	87,5	93,2	-	0,888	0,870	0,823	45	93	0,34320	390,0
75	100	280S-2	2970	127,69	614,63	4,8	241,16	409,97	1,7	482,32	2,0	94,3	IE2	92,4	88,3	93,8	-	0,899	0,895	0,874	55	94	0,63690	540,0
90	125	280M-2	2974	153,09	796,95	5,2	289,00	520,21	1,8	693,61	2,4	94,2	IE2	94,1	92,1	94,1	-	0,901	0,895	0,858	60	94	0,74250	590,0
110	150	315S-2	2980	185,05	1313,83	7,1	352,52	634,53	1,8	775,54	2,2	94,4	IE2	93,8	92,0	94,3	-	0,909	0,903	0,840	80	96	1,29800	880,0
132	180	315MA-2	2980	218,75	1553,14	7,1	423,02	761,44	1,8	930,64	2,2	95,0	IE2	94,4	93,0	94,6	-	0,917	0,912	0,903	75	96	2,00200	1000,0
160	215	315LA-2	2980	262,63	1864,69	7,1	512,75	922,95	1,8	1128,05	2,2	95,0	IE2	94,4	92,9	94,8	-	0,926	0,913	0,858	75	99	2,28800	1055,0
200	270	315LB-2	2980	334,84	2377,36	7,1	640,94	1153,69	1,8	1410,07	2,2	95,6	IE2	95,1	93,9	95,0	-	0,902	0,889	0,845	80	99	2,61800	1110,0
250	335	355M-2	2985	410,72	2916,11	7,1	799,83	1279,73	1,6	1759,63	2,2	95,6	IE2	95,1	93,8	95,0	-	0,919	0,908	0,878	70	103	3,30000	1900,0
315	423	355L-2	2985	524,82	3726,23	7,1	1007,79	1612,46	1,6	2217,14	2,2	95,2	IE2	94,9	94,0	95,0	-	0,910	0,890	0,870	75	103	3,85000	2300,0



4 Poles

IE2, high efficiency class IE 60034-30-1

[suitable for variable speed drive duty]

data at 400V 50Hz

KW	Hp	Type	rpm	In [A]	Is [A]	Is/In	Cn [Nm]	Cs [Nm]	Cs/Cn	Cmax [Nm]	Cmax/Cn	η %				min IE2	Pwr. Fact. Cosφ			ΔT [°C]	LwA [dB]	J Kgm²	Kg
												100%	IE...	75%	50%		100%	75%	50%				
0,09	0,12	56B-4	1346	0,33	0,97	2,9	0,64	1,80	2,8	1,80	2,8	60,7	-	58,0	43,0	-	0,647	0,540	0,360	36	52	0,00040	3,6
0,13	0,18	63A-4	1355	0,40	1,28	3,2	0,92	2,10	2,3	2,10	2,3	64,7	IE2	63,9	62,0	59,1	0,720	0,620	0,590	30	52	0,00050	4,5
0,18	0,25	63B-4	1393	0,56	2,02	3,6	1,23	2,90	2,4	3,10	2,5	68,2	IE2	65,9	58,0	64,7	0,680	0,550	0,400	38	52	0,00060	4,7
0,25	0,35	63C-4	1380	0,72	2,41	3,3	1,73	4,10	2,4	4,00	2,3	71,0	IE2	71,3	67,6	68,5	0,702	0,601	0,468	51	52	0,00075	5,7
0,25	0,35	71A-4	1400	0,69	2,90	4,2	1,71	4,30	2,5	4,57	2,7	72,7	IE2	72,0	68,0	68,5	0,720	0,615	0,500	41	55	0,00080	6,0
0,37	0,5	71B-4	1366	1,01	3,72	3,7	2,59	6,00	2,3	6,10	2,4	73,2	IE2	72,0	61,2	72,7	0,720	0,630	0,412	58	55	0,00130	6,3
0,55	0,75	71C-4	1386	1,41	6,19	4,4	3,79	9,13	2,4	10,00	2,6	77,2	IE2	78,5	76,9	77,1	0,727	0,620	0,506	56	55	0,00170	7,3
0,55	0,75	80A-4	1407	1,45	6,38	4,4	3,73	8,90	2,4	9,90	2,7	77,1	IE2	76,7	72,8	77,1	0,708	0,580	0,453	55	58	0,00180	10,0
0,75	1	80B-4	1394	1,99	7,57	3,8	5,14	12,50	2,4	12,65	2,5	79,6	IE2	79,4	74,0	79,6	0,685	0,606	0,456	77	58	0,00231	11,0
1,1	1,5	80C-4	1390	2,85	11,03	3,9	7,56	18,70	2,5	12,70	1,7	81,5	IE2	81,7	77,9	81,4	0,684	0,560	0,440	86	58	0,00248	12,1
1,1	1,5	90S-4	1378	2,50	9,89	4,0	7,62	16,20	2,1	17,53	2,3	81,4	IE2	83,2	81,5	81,4	0,779	0,642	0,541	78	61	0,00253	13,0
1,5	2	90L-4	1407	3,37	17,26	5,1	10,21	28,20	2,8	29,60	2,9	83,2	IE2	84,4	82,8	82,8	0,772	0,681	0,540	59	61	0,00297	14,0
1,9	2,6	90LB-4	1415	4,47	23,24	5,2	12,82	24,61	1,9	26,50	2,1	84,3	IE2	84,6	82,0	84,3	0,728	0,630	0,488	55	61	0,00495	16,0
2,2	3	100LA-4	1435	4,80	25,82	5,4	14,64	33,20	2,3	41,87	2,9	84,4	IE2	84,5	82,1	84,3	0,784	0,668	0,546	68	64	0,00594	23,0
3	4	100LB-4	1407	6,39	27,93	4,4	20,36	41,20	2,0	30,12	1,5	85,5	IE2	87,9	87,1	85,5	0,793	0,700	0,550	94	64	0,00744	25,0
4	5,5	112M-4	1415	7,75	39,24	5,1	27,00	51,40	1,9	40,79	1,5	86,6	IE2	89,0	86,8	86,6	0,860	0,800	0,720	76	65	0,01055	28,0
5	6,8	112MB-4	1445	10,02	63,50	6,3	33,04	82,70	2,5	71,14	2,2	87,7	IE2	88,7	87,9	87,7	0,821	0,750	0,640	77	65	0,01667	35,0
5,5	7,5	132S-4	1446	10,74	61,43	5,7	36,32	69,00	1,9	74,88	2,1	87,8	IE2	89,5	88,5	87,7	0,842	0,780	0,660	83	71	0,02378	45,0
7,5	10	132M-4	1450	14,38	91,41	6,4	49,40	97,00	2,0	99,00	2,0	88,8	IE2	89,7	70,0	88,7	0,848	0,800	0,700	92	71	0,03289	47,0
9,2	12,5	132MB-4	1426	16,71	95,09	5,7	61,61	123,30	2,0	97,88	1,6	89,9	IE2	92,2	92,6	89,8	0,884	0,850	0,784	96	72	0,03444	55,0
11	15	132MC-4	1461	21,96	170,43	7,8	71,90	196,40	2,7	186,95	2,6	89,8	IE2	89,8	87,8	89,8	0,805	0,770	0,610	80	73	0,04444	57,0
11	15	160M-4	1460	21,67	134,07	6,2	71,95	153,40	2,1	208,66	2,9	89,8	IE2	89,4	87,6	89,8	0,816	0,776	0,654	70	75	0,06777	118,0
15	20	160L-4	1456	28,12	178,96	6,4	98,39	197,10	2,0	245,96	2,5	90,8	IE2	91,7	90,6	90,6	0,848	0,810	0,717	72	75	0,10199	132,0
18,5	25	180M-4	1476	34,45	215,02	6,2	119,70	220,90	1,8	334,30	2,8	91,2	IE2	91,1	89,9	91,2	0,850	0,810	0,723	51	76	0,15443	164,0
22	30	180L-4	1470	39,57	202,00	5,1	142,93	255,00	1,8	357,31	2,5	91,6	IE2	91,6	90,8	91,6	0,876	0,847	0,775	75	76	0,17554	182,0
30	40	200L-4	1475	53,84	323,02	6,0	194,24	388,47	2,0	505,02	2,6	93,2	IE2	93,0	91,5	92,3	0,863	0,816	0,765	73	79	0,29108	245,0
37	50	225S-4	1480	66,07	345,00	5,2	238,75	501,38	2,1	573,00	2,4	92,8	IE2	93,3	92,3	92,7	0,871	0,840	0,777	91	81	0,45107	258,0
45	60	225M-4	1480	79,02	437,00	5,5	290,37	570,00	2,0	710,00	2,4	93,3	IE2	93,3	92,1	93,1	0,881	0,863	0,799	70	81	0,52106	290,0
55	75	250M-4	1480	97,61	585,64	6,0	354,90	674,31	1,9	816,27	2,3	93,7	IE2	96,1	93,0	93,5	0,868	0,841	0,780	75	83	0,73326	388,0
75	100	280S-4	1484	129,70	648,48	5,0	482,65	854,00	1,8	915,00	1,9	94,1	IE2	94,2	92,2	94,0	0,887	0,860	0,840	80	80	1,43000	510,0
90	120	280M-4	1485	152,96	747,77	4,9	578,79	1041,82	1,8	1150,00	2,0	94,7	IE2	94,7	94,7	94,2	0,897	0,889	0,854	54	86	1,63900	606,0
110	150	315S-4	1489	189,80	1138,79	6,0	705,51	1481,56	2,1	1834,32	2,6	95,1	IE2	94,6	92,6	94,5	0,880	0,860	0,803	71	93	3,44300	910,0
132	180	315M-4	1485	224,09	1174,96	5,2	848,89	1612,89	1,9	2207,11	2,6	95,2	IE2	95,3	94,7	94,7	0,893	0,875	0,831	55	93	4,01500	1000,0
160	220	315LA-4	1485	276,24	1906,08	6,9	1028,96	2160,81	2,1	2263,70	2,2	95,0	IE2	94,5	94,0	94,9	0,880	0,850	0,800	80	97	4,52320	1055,0
200	270	315LB-4	1481	339,92	2345,45	6,9	1289,67	2708,31	2,1	2837,27	2,2	95,1	IE2	94,7	93,8	95,1	0,893	0,885	0,844	75	97	5,29100	1128,0
250	335	355M-4	1483	420,03	2898,23	6,9	1609,91	3380,82	2,1	3541,81	2,2	95,6	IE2	95,4	94,7	95,1	0,899	0,897	0,874	80	101	7,18300	1700,0
315	423	355L-4	1490	524,91	3621,87	6,9	2018,96	4239,82	2,1	4441,71	2,2	95,7	IE2	95,5	94,7	95,1	0,905	0,883	0,818	70	101	9,06400	1900,0



KW	Hp	Type	rpm	In [A]	Is [A]	Is/In	Cn [Nm]	Cs [Nm]	Cs/Cn	Cmax [Nm]	Cmax/Cn	η %				min IE2	Pwr. fact. cos φ			T [°C]	LwA [dB]	J Kgm ²	Kg
												100%	IE...	75%	50%		100%	75%	50%				
0,18	0,25	71A-6	921	0,66	1,93	2,9	1,87	4,20	2,3	4,30	2,3	62,7	IE2	61,1	53,7	56,6	0,631	0,540	0,418	41	51	0,00110	6,0
0,25	0,35	71B-6	910	0,87	2,62	3,0	2,62	6,00	2,3	6,00	2,3	64,0	IE2	62,5	57,1	61,6	0,650	0,550	0,426	54	51	0,00140	6,3
0,37	0,5	80A-6	928	1,20	3,58	3,0	3,81	6,80	1,8	8,10	2,1	67,3	IE1	66,0	60,9	67,6	0,660	0,562	0,451	58	53	0,00160	10,0
0,55	0,75	80B-6	917	1,71	4,72	2,8	5,73	10,40	1,8	10,60	1,9	70,5	IE1	71,4	67,7	73,1	0,658	0,574	0,440	80	53	0,00190	11,0
0,75	1	90S-6	915	2,01	5,98	3,0	7,83	13,00	1,7	9,97	1,3	76,0	IE2	77,9	75,2	75,9	0,710	0,610	0,480	69	57	0,00319	13,0
1,1	1,5	90L-6	915	2,74	9,93	3,6	11,48	22,10	1,9	16,57	1,4	78,3	IE2	80,2	79,3	78,1	0,740	0,650	0,560	67	57	0,00385	14,0
1,5	2	100L-6	944	3,91	16,15	4,1	15,17	29,39	1,9	35,09	2,3	79,9	IE2	80,3	77,6	79,8	0,693	0,609	0,477	71	58	0,00759	23,0
2,2	3	112M-6	951	5,45	25,84	4,7	22,09	45,40	2,1	57,79	2,6	81,9	IE2	82,7	80,4	81,8	0,712	0,610	0,475	74	61	0,01540	25,0
3	4	132S-6	969	6,95	38,23	5,5	29,57	62,40	2,1	81,20	2,7	84,5	IE2	84,6	82,1	83,3	0,737	0,710	0,536	63	64	0,03146	28,0
4	5,5	132MA-6	969	8,85	56,55	6,4	39,42	89,90	2,3	121,80	3,1	84,7	IE2	84,5	82,0	84,6	0,770	0,690	0,566	76	64	0,03927	45,0
5,5	7,5	132MB-6	966	12,38	65,09	5,3	54,37	103,20	1,9	95,28	1,8	87,0	IE2	87,5	87,0	86,0	0,737	0,653	0,545	64	64	0,04961	55,0
7,5	10	160M-6	978	16,97	88,24	5,2	73,24	109,85	1,5	146,47	2,0	88,6	IE2	89,2	88,5	87,2	0,720	0,670	0,600	50	71	0,08910	118,0
11	15	160L-6	970	23,37	106,35	4,6	108,30	173,28	1,6	184,11	1,7	89,5	IE2	90,5	89,9	88,7	0,759	0,700	0,582	70	71	0,12760	125,0
15	20	180L-6	984	29,79	140,65	4,7	145,58	232,93	1,6	334,83	2,3	89,8	IE2	89,4	88,0	89,7	0,809	0,750	0,657	75	73	0,22770	160,0
18,5	25	200LA-6	970	35,28	183,46	5,2	182,14	327,85	1,8	454,99	2,5	91,0	IE2	90,8	89,7	90,4	0,832	0,781	0,685	60	76	0,34650	217,0
22	30	200LB-6	982	42,61	215,40	5,1	213,95	385,11	1,8	534,88	2,5	91,1	IE2	91,0	89,3	90,9	0,818	0,763	0,668	80	76	0,39600	244,0
30	40	225M-6	980	55,62	236,55	4,3	292,35	503,00	1,7	518,00	1,8	91,8	IE2	91,6	92,0	91,7	0,848	0,828	0,759	60	76	0,60170	295,0
37	50	250M-6	983	68,00	297,27	4,4	359,46	611,08	1,7	718,92	2,0	92,6	IE2	92,3	92,4	92,2	0,848	0,828	0,759	56	78	0,92730	365,0
45	60	280S-6	982	78,93	360,33	4,6	437,63	700,20	1,6	919,02	2,1	93,2	IE2	93,6	92,2	92,7	0,883	0,865	0,813	42	80	1,52900	500,0
55	75	280M-6	985	96,24	459,99	4,8	533,25	853,20	1,6	1119,82	2,1	93,1	IE2	93,6	93,2	93,1	0,886	0,873	0,822	71	80	1,81500	545,0
75	100	315S-6	986	132,96	534,60	4,0	726,42	1162,27	1,6	1307,56	1,8	94,5	IE2	95,1	94,4	93,7	0,862	0,860	0,820	70	85	4,52100	810,0
90	125	315MA-6	985	159,67	1069,81	6,7	872,59	1745,18	2,0	1745,18	2,0	94,6	IE2	94,5	93,6	94,0	0,860	0,831	0,766	75	85	5,25800	900,0
110	150	315LA-6	985	195,78	1311,71	6,7	1066,50	2132,99	2,0	2132,99	2,0	94,3	IE2	93,9	93,7	94,3	0,860	0,840	0,820	80	85	5,99500	1010,0
132	180	315LB-6	985	233,94	1567,40	6,7	1279,80	2559,59	2,0	2559,59	2,0	94,7	IE2	94,2	93,7	94,6	0,860	0,840	0,810	80	85	6,73200	1140,0
160	220	355MA-6	990	279,71	1874,08	6,7	1543,43	2932,53	1,9	3086,87	2,0	94,9	IE2	94,2	93,3	94,8	0,870	0,870	0,850	80	92	10,45000	1550,0
200	270	355MB-6	990	341,43	2287,55	6,7	1929,29	3665,66	1,9	3858,59	2,0	95,0	IE2	94,5	94,0	95,0	0,890	0,870	0,850	80	92	11,44000	1600,0
250	335	355L-6	990	431,63	2891,93	6,7	2411,62	4582,07	1,9	4823,23	2,0	95,0	IE2	95,0	94,0	95,0	0,880	0,860	0,840	80	92	13,64000	1700,0

KW	Hp	Type	rpm	In [A]	Is [A]	Is In	Cn [Nm]	Cs [Nm]	Cs Cn	Cmax [Nm]	Cmax Cn	η %				min IE2	min IE3	Pwr. Fact. Cosφ			ΔT [°C]	LwA [dB]	J Kgm²	Kg
												100%	IE...	75%	50%			100%	75%	50%				
0,13	0,18	71B-8	651	0,71	1,48	2,1	1,91	3,80	2,0	3,93	2,1	48,2	IE2	44,9	39,0	39,8	50,7	0,550	0,460	0,390	76	52	0,00080	6,3
0,18	0,25	80A-8	694	0,83	2,01	2,4	2,48	4,70	1,9	5,50	2,2	56,1	IE2	51,0	44,7	45,9	58,7	0,560	0,460	0,392	54	52	0,00180	10,0
0,25	0,35	80B-8	691	1,10	2,62	2,4	3,46	6,90	2,1	7,06	2,2	61,0	IE2	58,2	52,2	50,6	64,1	0,540	0,450	0,373	56	52	0,00190	11,0
0,37	0,5	90S-8	670	1,41	5,65	4,0	5,27	10,55	2,0	10,55	2,0	62,0	IE2	61,0	54,0	56,1	69,3	0,610	0,550	0,350	40	54	0,00210	13,0
0,55	0,75	90L-8	701	2,04	6,25	3,1	7,49	15,50	2,1	18,00	2,4	68,3	IE2	66,0	58,1	61,7	73,0	0,570	0,490	0,366	22	54	0,00240	14,0
0,75	1	100LA-8	712	2,24	8,66	3,9	10,06	21,70	2,2	25,09	2,5	75,9	IE3	75,1	70,3	66,2	75,0	0,636	0,550	0,426	47	57	0,00900	23,0
1,1	1,5	100LB-8	702	3,38	12,14	3,6	14,96	31,30	2,1	35,91	2,4	73,9	IE2	73,4	68,5	70,8	77,7	0,635	0,524	0,397	65	57	0,01000	25,0
1,5	2	112M-8	711	4,21	16,94	4,0	20,15	43,80	2,2	50,70	2,5	79,2	IE2	79,8	79,0	74,1	79,7	0,650	0,550	0,500	48	61	0,02450	28,0
2,2	3	132S-8	710	5,54	33,23	6,0	29,59	53,26	1,8	59,18	2,0	81,9	IE3	82,2	80,0	77,6	81,9	0,700	0,660	0,481	80	64	0,03140	45,0
3	4	132M-8	716	7,25	31,48	4,3	40,01	71,90	1,8	93,01	2,3	83,0	IE2	83,9	82,2	80,0	83,5	0,720	0,650	0,494	63	64	0,03950	55,0
4	5,5	160MA-8	720	9,32	55,94	6,0	53,06	100,81	1,9	106,11	2,0	86,0	IE3	85,8	84,0	81,9	84,8	0,720	0,640	0,600	75	68	0,07530	110,0
5,5	7,5	160MB-8	726	12,39	54,99	4,4	72,35	111,72	1,5	162,63	2,2	84,5	IE2	83,3	79,2	83,8	86,2	0,758	0,698	0,580	46	68	0,09310	120,0
7,5	10	160L-8	724	16,40	78,06	4,8	98,93	176,55	1,8	233,11	2,4	85,5	IE2	84,9	82,0	85,3	87,3	0,772	0,722	0,610	51	68	0,12600	135,0
11	15	180L-8	730	23,48	129,17	5,5	143,90	287,81	2,0	287,81	2,0	87,8	IE2	87,9	87,5	86,9	88,6	0,770	0,700	0,650	80	70	0,20300	160,0
15	20	200L-8	730	31,03	204,78	6,6	196,23	392,47	2,0	392,47	2,0	89,5	IE2	89,4	87,8	88,0	89,6	0,780	0,709	0,580	75	73	0,33900	235,0
18,5	25	225S-8	730	38,48	253,99	6,6	242,02	459,84	1,9	484,04	2,0	91,3	IE3	91,5	90,5	88,6	90,1	0,760	0,720	0,680	80	73	0,49100	242,0
22	30	225M-8	730	44,84	295,97	6,6	287,81	546,84	1,9	575,62	2,0	91,3	IE3	91,6	90,6	89,1	90,6	0,776	0,727	0,608	70	73	0,54700	285,0
30	40	250M-8	730	59,32	391,51	6,6	392,47	745,68	1,9	784,93	2,0	92,4	IE3	92,3	91,0	89,8	91,3	0,790	0,760	0,720	80	75	0,84300	390,0
37	50	280S-8	730	74,02	488,53	6,6	484,04	919,68	1,9	968,08	2,0	92,5	IE3	92,4	91,0	90,3	91,8	0,780	0,730	0,670	80	76	1,93000	500,0
45	60	280M-8	740	89,93	593,51	6,6	580,74	1045,34	1,8	1161,49	2,0	92,6	IE3	92,6	89,7	90,7	92,2	0,780	0,730	0,680	80	76	1,65000	580,0
55	75	315S-8	740	104,10	687,05	6,6	709,80	1277,64	1,8	1419,59	2,0	93,0	IE3	93,0	92,0	91,0	92,5	0,820	0,760	0,650	80	82	4,79000	790,0
75	100	315MA-8	740	142,91	943,23	6,6	967,91	1742,23	1,8	1935,81	2,0	93,4	IE3	92,8	91,1	91,6	93,1	0,811	0,744	0,614	70	82	5,58000	970,0
90	125	315LA-8	740	168,57	1112,56	6,6	1161,49	2090,68	1,8	2322,97	2,0	93,8	IE3	93,3	91,6	91,9	93,4	0,822	0,769	0,641	75	82	6,37000	1055,0
110	150	315LB-8	740	205,82	1317,24	6,4	1419,59	2555,27	1,8	2839,19	2,0	94,4	IE3	94,1	92,7	92,3	93,7	0,817	0,754	0,629	80	82	7,23000	1118,0
132	180	355MA-8	740	247,97	1587,01	6,4	1703,51	3066,32	1,8	3407,03	2,0	93,7	IE2	93,7	93,1	92,6	94,0	0,820	0,820	0,760	80	82	7,60000	2000,0
160	220	355MB-8	740	298,97	1913,44	6,4	2064,86	3716,76	1,8	4129,73	2,0	94,2	IE2	94,2	93,5	93,0	94,3	0,820	0,820	0,760	80	82	7,70000	2150,0
200	270	355L-8	740	368,04	2355,48	6,4	2581,08	4645,95	1,8	5162,16	2,0	94,5	IE2	94,5	93,0	93,5	94,6	0,830	0,830	0,790	80	82	8,20000	2250,0
250	335	355LB-8	740	467,15	2989,75	6,4	3226,35	5807,43	1,8	6452,70	2,0	94,2	IE2	94,2	93,1	93,5	94,6	0,820	0,820	0,780	80	82	8,30000	2350,0

To get the data double polarity and delfire motors performance data, ask to our commercial office.



KW	Hp	Type	rpm	In (A)	Is (A)	Is/In	Cn (Nm)	Cs (Nm)	Cs/Cn	Cmax (Nm)	Cmax/Cn	η %			min IE3	Pwr. fact. cosφ			ΔT (°C)	LwA (dB)	J Kgm²	Kg	
												100%	IE	75%		50%	100%	75%					50%
0,75	1	80A-2	2892	1,74	11,84	6,8	2,48	8,60	3,5	9,18	3,7	80,9	IE3	79,6	76,4	80,7	0,770	0,700	0,566	35	65	0,00158	17,0
1,1	1,5	80B-2	2885	2,26	16,74	7,4	3,64	10,90	3,0	12,74	3,5	84,5	IE3	84,7	82,8	82,7	0,830	0,770	0,652	41	65	0,00185	18,0
1,5	2	90S-2	2894	3,22	23,78	7,4	4,95	20,10	4,1	18,78	3,8	85,3	IE3	85,2	83,7	84,2	0,788	0,710	0,588	37	71	0,00383	23,0
2,2	3	90L-2	2891	4,58	35,20	7,7	7,27	30,30	4,2	30,83	4,2	86,2	IE3	86,4	84,7	85,9	0,810	0,710	0,610	43	71	0,00726	26,0
3	4	100L-2	2898	5,80	44,87	7,7	9,89	30,80	3,1	35,98	3,6	87,1	IE3	87,7	86,8	87,1	0,857	0,807	0,692	51	75	0,01439	35,0
4	5,5	112M-2	2894	7,48	59,55	7,0	13,20	33,05	2,8	37,02	3,5	89,6	IE3	90,5	90,2	88,1	0,862	0,810	0,719	52	77	0,01663	43,0
5,5	7,5	132SA-2	2940	10,14	70,59	7,0	17,87	37,70	2,1	35,79	2,0	91,0	IE3	89,7	87,4	89,2	0,860	0,840	0,761	48	78	0,03300	44,8
7,5	10	132SB-2	2925	13,35	95,00	7,1	24,49	53,50	2,2	78,50	3,2	91,6	IE3	92,4	92,9	90,1	0,885	0,850	0,760	60	78	0,03960	73,0
11	15	160MA-2	2937	19,72	123,05	6,2	35,77	73,32	2,1	100,15	2,8	91,4	IE3	91,2	89,7	91,2	0,881	0,864	0,812	49	81	0,04976	120,0
15	20	160MB-2	2938	26,29	150,23	5,7	48,76	95,08	2,0	121,89	2,5	92,0	IE3	92,6	91,8	91,9	0,895	0,877	0,841	61	81	0,06587	132,0
18,5	25	160L-2	2942	32,15	192,92	6,0	60,05	124,31	2,1	179,00	2,1	93,0	IE3	93,7	93,0	92,4	0,893	0,875	0,827	58	81	0,07260	150,0
22	30	180M-2	2950	37,53	304,03	8,1	71,22	163,81	2,3	220,80	3,1	94,0	IE3	93,9	93,0	92,7	0,900	0,880	0,870	41	83	0,09900	205,0
30	40	200LA-2	2940	51,51	386,34	7,5	97,45	224,13	2,3	223,37	2,3	93,4	IE3	94,4	90,7	93,3	0,900	0,881	0,820	65	84	0,16368	250,0
37	50	200LB-2	2960	63,26	474,46	7,5	119,38	274,56	2,3	275,49	2,3	93,8	IE3	93,6	90,2	93,7	0,900	0,887	0,840	65	84	0,18348	270,0
45	60	225M-2	2960	76,69	582,87	7,6	145,19	333,93	2,3	332,80	2,3	94,1	IE3	93,9	90,7	94,0	0,900	0,878	0,816	65	86	0,30756	315,0
55	75	250M-2	2970	94,39	707,92	7,5	176,85	406,76	2,3	406,76	2,3	94,5	IE3	92,6	88,5	94,3	0,890	0,872	0,825	65	89	0,41184	420,0
75	100	280S-2	2970	127,01	876,39	6,9	241,16	530,56	2,2	554,67	2,3	94,7	IE3	92,8	88,7	94,7	0,900	0,896	0,875	55	91	0,76428	550,8
90	125	280M-2	2970	151,93	1078,73	7,1	289,39	636,67	2,2	665,61	2,3	95,0	IE3	94,9	92,9	95,0	0,900	0,894	0,857	65	91	0,89100	625,0
110	150	315S-2	2970	185,31	1315,68	7,1	353,70	707,41	2,0	778,15	2,2	95,2	IE3	95,1	93,1	95,2	0,900	0,894	0,857	65	92	1,55760	968,0
132	180	315MA-2	2970	221,67	1573,86	7,1	424,44	848,89	2,0	933,78	2,2	95,5	IE3	95,4	93,4	95,4	0,900	0,894	0,857	65	92	2,40240	1100,0
160	215	315LA-2	2970	265,46	1884,77	7,1	514,48	1028,96	2,0	1131,85	2,2	95,6	IE3	95,5	93,5	95,6	0,910	0,904	0,867	65	92	2,74560	1160,5
200	270	315LB-2	2970	330,79	2348,59	7,1	643,10	1286,20	2,0	1414,81	2,2	95,9	IE3	95,8	93,8	95,8	0,910	0,904	0,867	65	92	3,14160	1221,0
250	335	355M-2	2980	413,48	2935,74	7,1	801,17	1602,35	2,0	1762,58	2,2	95,9	IE3	95,8	93,8	95,8	0,910	0,904	0,867	65	100	3,96000	2090,0
315	423	355L-2	2980	520,99	3699,03	7,1	1009,48	2018,96	2,0	2220,86	2,2	95,9	IE3	95,8	93,8	95,8	0,910	0,904	0,867	65	100	4,62000	2530,0

KW	Hp	Type	rpm	In (A)	Is (A)	Is/In	Cn (Nm)	Cs (Nm)	Cs/Cn	Cmax (Nm)	Cmax/Cn	η %			min IE3	Pwr. fact. cosφ			ΔT (°C)	LwA (dB)	J Kgm²	Kg	
												100%	IE	75%		50%	100%	75%					50%
0,75	1	80B-4	1430	1,87	11,24	6,0	5,01	16,90	3,4	12,80	2,6	82,9	IE3	82,6	79,2	82,5	0,700	0,600	0,451	38	56	0,00277	12,0
1,1	1,5	90S-4	1431	2,54	15,83	6,2	7,34	25,60	3,5	24,50	3,3	84,8	IE3	86,2	85,5	84,1	0,738	0,660	0,516	44	61	0,00304	25,0
1,5	2	90L-4	1438	3,38	19,62	5,8	9,96	32,11	3,2	34,90	3,5	85,9	IE3	86,3	85,1	85,3	0,747	0,658	0,569	47	61	0,00356	30,0
2,2	3	100LA-4	1425	4,35	34,15	7,8	14,74	41,27	2,8	41,27	2,8	86,7	IE3	86,9	86,0	86,7	0,841	0,782	0,700	53	64	0,00713	36,0
3	4	100LB-4	1450	6,07	46,83	7,7	19,76	54,30	2,7	56,31	2,8	89,0	IE3	89,3	88,0	87,7	0,801	0,720	0,700	57	64	0,00893	40,0
4	5,5	112M-4	1442	7,95	54,51	6,9	26,49	74,03	2,9	74,22	3,3	89,1	IE3	90,3	90,5	88,6	0,815	0,760	0,641	53	65	0,01267	46,0
5,5	7,5	132S-4	1454	10,64	68,01	6,4	36,12	75,86	2,1	101,15	2,8	89,9	IE3	92,1	92,4	89,6	0,830	0,770	0,675	61	71	0,02853	70,0
7,5	10	132M-4	1460	14,39	94,37	6,6	49,06	91,80	1,9	132,46	2,7	90,5	IE3	90,8	89,9	90,4	0,831	0,790	0,699	46	71	0,03946	56,5
11	15	160M-4	1468	20,76	121,31	5,8	71,56	121,50	1,7	193,21	2,7	91,8	IE3	91,7	90,4	91,4	0,833	0,790	0,675	52	73	0,08133	125,0
15	20	160L-4	1460	28,19	140,97	5,0	98,12	166,60	1,7	255,10	2,6	92,3	IE3	93,1	92,3	92,3	0,832	0,780	0,680	61	75	0,12239	150,0
18,5	25	180M-4	1477	33,53	206,45	6,2	120,94	202,50	1,7	384,23	3,2	92,6	IE3	92,1	90,2	92,6	0,870	0,817	0,724	40	76	0,18531	170,6
22	30	180L-4	1470	39,62	297,13	7,5	142,93	314,44	2,2	328,73	2,3	93,2	IE3	91,7	91,0	93,0	0,860	0,832	0,761	80	76	0,21065	189,3
30	40	200L-4	1480	53,48	385,07	7,2	193,58	425,88	2,2	445,24	2,3	93,6	IE3	93,8	92,8	93,6	0,865	0,818	0,767	80	79	0,34930	254,8
37	50	225S-4	1480	65,37	490,30	7,5	238,75	525,25	2,2	549,13	2,3	93,9	IE3	92,7	92,0	93,9	0,870	0,839	0,776	75	81	0,54128	268,3
45	60	225M-4	1480	77,39	588,17	7,6	290,37	638,82	2,2	667,85	2,3	94,3	IE3	93,3	92,8	94,2	0,890	0,872	0,807	80	81	0,62527	353,0
55	75	250M-4	1480	93,89	713,58	7,6	354,90	780,78	2,2	816,27	2,3	95,0	IE3	94,2	93,5	94,6	0,890	0,862	0,800	75	83	0,87991	450,0
75	100	280S-4	1480	127,90	882,51	6,9	483,95	1064,70	2,2	1113,09	2,3	95,1	IE3	93,5	91,0	95,0	0,890	0,863	0,843	70	86	1,71600	605,0
90	120	280M-4	1485	155,06	1085,43	7,0	578,79	1273,33	2,2	1331,21	2,3	95,2	IE3	93,5	92,0	95,2	0,880	0,872	0,838	65	86	1,96680	700,0
110	150	315S-4	1480	188,92	1303,57	6,9	709,80	1561,55	2,2	1632,53	2,3	95,5	IE3	93,8	92,3	95,4	0,880	0,872	0,838	65	87	4,13160	925,0
132	180	315M-4	1480	226,23	1561,02	6,9	851,76	1873,86	2,2	1959,04	2,3	95,7	IE3	94,0	92,5	95,6	0,880	0,872	0,838	55	87	4,81800	1180,0
160	220	315LA-4	1480	273,65	1888,20	6,9	1032,43	2271,35	2,2	2374,59	2,3	95,9	IE3	94,2	92,7	95,8	0,880	0,872	0,838	75	87	5,42784	1160,5
200	270	315LB-4	1480	341,71	2357,79	6,9	1290,54	2839,19	2,2	2968,24	2,3	96,0	IE3	94,3	92,8	96,0	0,880	0,872	0,838	70	87	6,34920	1240,8
250	335	355M-4	1490	417,21	2878,74	6,9	1602,35	3525,17	2,2	3685,40	2,3	96,1	IE3	94,4	92,9	96,0	0,900	0,892	0,857	75	94	8,61960	1870,0
315	423	355L-4	1490	526,23	3630,99	6,9	2018,96	4441,71	2,2	4643,61	2,3	96,0	IE3	94,3	92,8	96,0	0,900	0,892	0,857	70	94	10,87680	2090,0



KW	Hp	Type	rpm	In (A)	Is (A)	Is/In	Cn (Nm)	Cs (Nm)	Cs/Cn	Cmax (Nm)	Cmax/Cn	η %			min IE3	Pwr. fact. cosφ			ΔT (°C)	LwA (dB)	J Kgm²	Kg	
												100%	IE	75%		50%	100%	75%					50%
0,75	1	90S-6	941	1,96	8,60	4,4	7,61	18,20	2,4	19,03	2,5	79,1	IE3	79,2	75,9	78,9	0,699	0,570	0,482	40	55	0,00300	23,0
1,1	1,5	90L-6	936	2,86	12,10	4,2	11,22	27,40	2,4	29,18	2,6	81,1	IE3	81,2	77,7	81,0	0,685	0,570	0,438	53	55	0,00360	26,0
1,5	2	100L-6	949	3,53	17,03	4,8	15,09	32,90	2,2	37,74	2,5	83,0	IE3	83,8	82,4	82,5	0,738	0,650	0,526	52	60	0,00850	35,0
2,2	3	112M-6	955	5,28	25,56	4,8	22,00	47,60	2,2	57,20	2,6	84,8	IE3	85,6	84,3	84,3	0,709	0,630	0,498	59	62	0,01600	44,0
3	4	132S-6	971	6,99	38,51	5,5	29,51	58,10	2,0	76,71	2,6	87,6	IE3	88,0	86,7	85,6	0,707	0,611	0,511	39	68	0,02930	67,0
4	5,5	132MA-6	974	9,34	58,39	6,3	39,22	90,90	2,3	125,50	3,2	88,2	IE3	88,0	86,1	86,8	0,701	0,610	0,484	51	68	0,03720	75,0
5,5	7,5	132MB-6	972	12,46	72,99	5,9	54,04	124,29	2,3	156,71	2,9	90,0	IE3	90,1	89,2	88,0	0,708	0,606	0,492	63	69	0,04780	86,0
7,5	10	160M-6	970	15,56	104,25	6,7	73,84	155,06	2,1	162,45	2,2	89,2	IE3	89,3	88,4	89,1	0,780	0,668	0,542	70	72	0,11583	125,0
11	15	160L-6	970	22,26	153,57	6,9	108,30	227,43	2,1	238,26	2,2	90,3	IE3	90,4	89,5	90,3	0,790	0,676	0,549	70	72	0,14674	150,0
15	20	180L-6	980	29,28	210,79	7,2	146,17	292,35	2,0	306,96	2,1	91,3	IE3	91,4	90,5	91,2	0,810	0,693	0,563	70	72	0,26186	200,0
18,5	25	200LA-6	980	35,95	258,84	7,2	180,28	378,59	2,1	396,62	2,2	91,7	IE3	91,8	90,9	91,7	0,810	0,693	0,563	70	72	0,39848	240,0
22	30	200LB-6	980	41,96	306,27	7,3	214,39	450,21	2,1	471,65	2,2	92,3	IE3	92,4	91,5	92,2	0,820	0,702	0,570	70	72	0,45540	260,0
30	40	225M-6	980	56,78	403,15	7,1	292,35	584,69	2,0	613,93	2,1	93,0	IE3	93,1	92,2	92,9	0,820	0,702	0,570	70	73	0,69196	300,0
37	50	250M-6	980	68,07	483,30	7,1	360,56	757,18	2,1	793,23	2,2	93,4	IE3	93,5	92,6	93,3	0,840	0,719	0,584	70	75	1,06640	420,0
45	60	280S-6	980	80,52	579,73	7,2	438,52	920,89	2,1	964,74	2,2	93,8	IE3	93,9	93,0	93,7	0,860	0,736	0,598	70	75	1,75835	540,0
55	75	280M-6	980	97,99	705,55	7,2	535,97	1125,54	2,1	1179,13	2,2	94,2	IE3	94,3	93,4	94,1	0,860	0,736	0,598	70	77	2,08725	620,0
75	100	315S-6	980	134,48	901,05	6,7	730,87	1461,73	2,0	1534,82	2,1	94,7	IE3	94,8	93,9	94,6	0,850	0,728	0,591	70	82	5,19915	855,0
90	125	315MA-6	980	162,79	1090,67	6,7	877,04	1754,08	2,0	1841,79	2,1	95,0	IE3	95,1	94,2	94,9	0,840	0,719	0,584	70	82	6,04670	920,0
110	150	315LA-6	980	196,21	1314,59	6,7	1071,94	2143,88	2,0	2251,07	2,1	95,2	IE3	95,3	94,4	95,1	0,850	0,728	0,591	70	82	6,59450	1111,0
132	180	315LB-6	980	231,98	1554,27	6,7	1286,33	2572,65	2,0	2701,29	2,1	95,5	IE3	95,6	94,7	95,4	0,860	0,736	0,598	70	82	7,40520	1254,0
160	220	355MA-6	980	277,38	1858,42	6,7	1559,18	3118,37	2,0	3274,29	2,1	95,7	IE3	95,8	94,8	95,6	0,870	0,745	0,605	70	84	11,49500	1705,0
200	270	355MB-6	980	346,00	2318,18	6,7	1948,98	3897,96	2,0	4092,86	2,1	95,9	IE3	96,0	95,0	95,8	0,870	0,745	0,605	70	84	12,58400	1760,0
250	335	355L-6	980	432,50	2897,72	6,7	2436,22	4872,45	2,0	5116,07	2,1	95,9	IE3	96,0	95,0	95,8	0,870	0,745	0,605	70	85	15,00400	1870,0

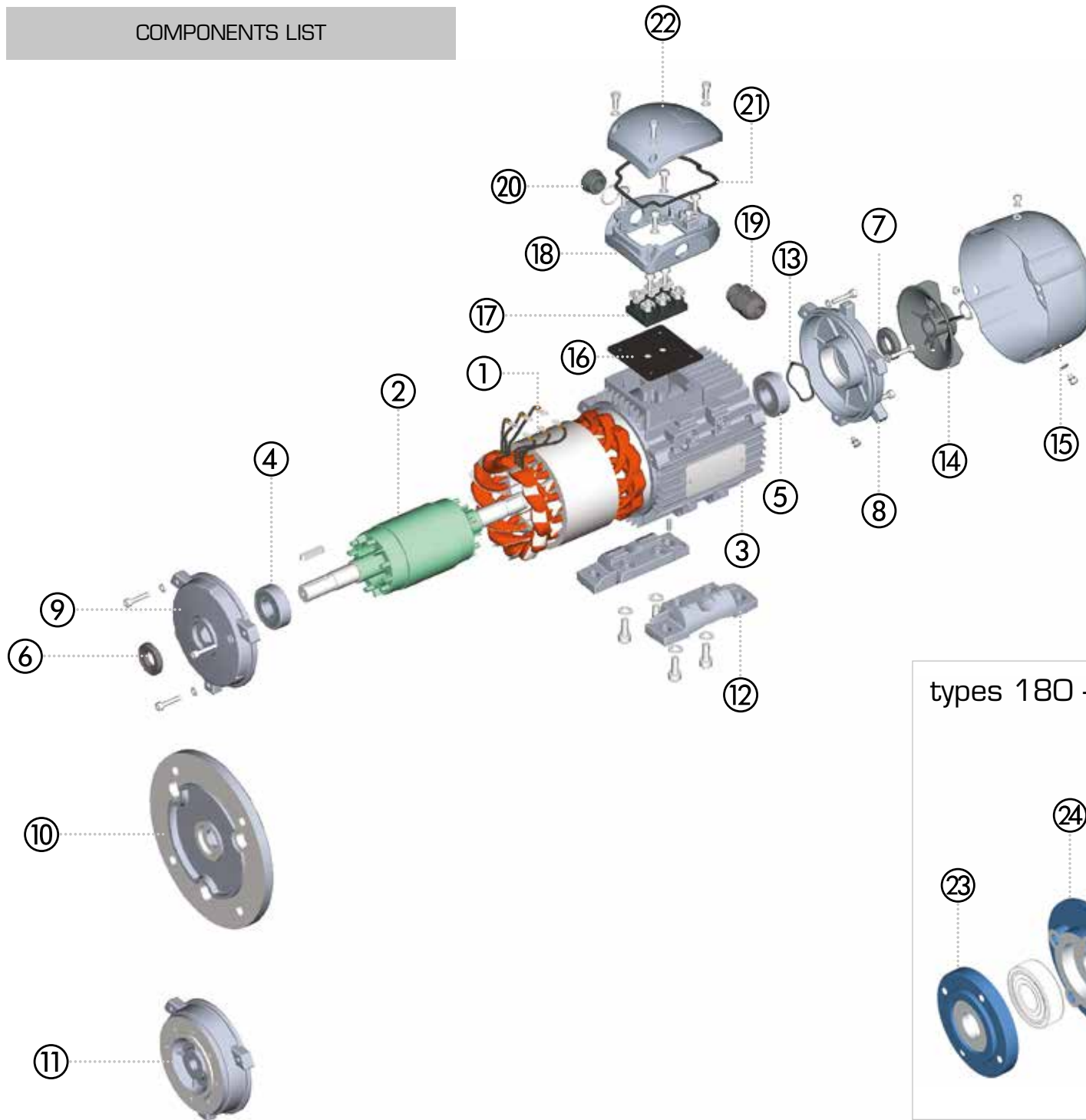


The technical files with all performance data and PDF drawings of each motor, can be downloaded from www.motive.it "datasheet creator" section



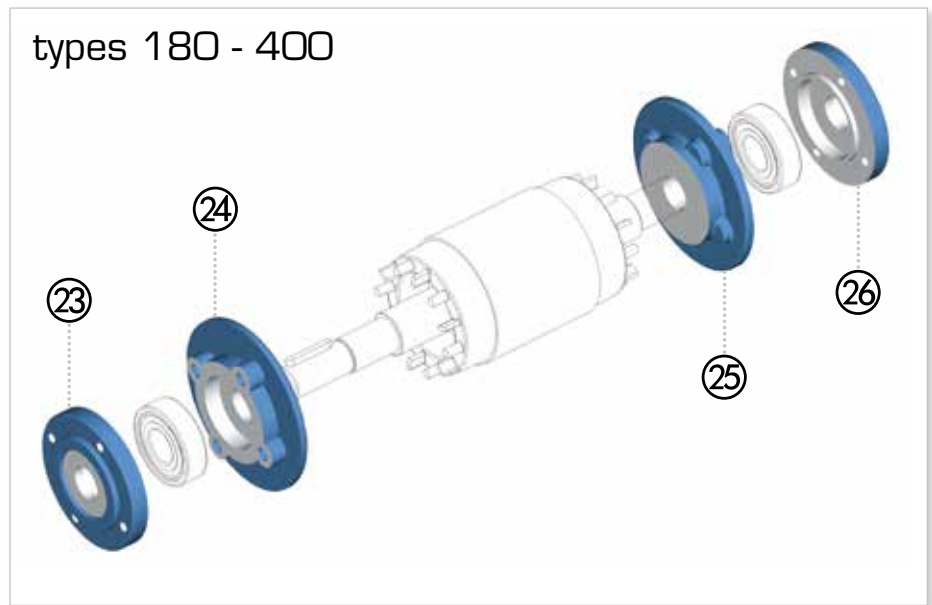
NOTE: motors can be improved in any moment. The data in www.motive.it can be more updated. Each data is even more detailed and proven by the type test reports loaded in www.motive.it

COMPONENTS LIST



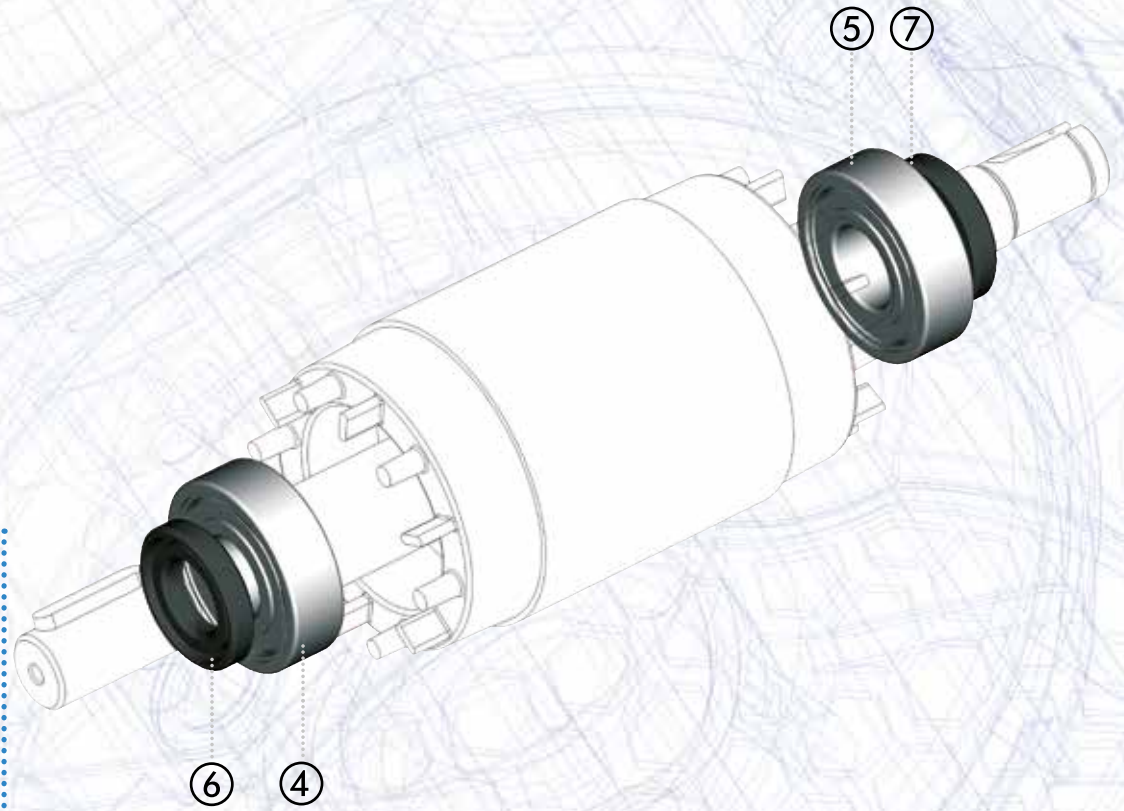
N°	CODE
1	3PNSTA
2	3PNROT
3	3PNFRA
4	3PNFBE
5	3PNBBE
6	3PNFOS
7	3PNBOS
8	3PNBSH
9	3PNBO3
10	3PNBO5
11	3PNB14
12	3PNFEE
13	3PNWAV

N°	CODE
14	3PNFAN
15	3PNFCV
16	3PNUCB
17	3PNTER
18	3PNBCB
19	3PNCMP
20	3PNCAP
21	3PNSCB
22	3PNCCB
23	3PNFOB
24	3PNFIB
25	3PNBIB
26	3PNBOB



RUBBER SEAL RINGS AND BEARINGS

FRAME SIZE	POLES NUMBER	RUBBER SEAL RING		BEARINGS	
		⑥	⑦	④	⑤
56	2 - 8	12x24x7	12x24x7	6201 ZZ-C3	6201 ZZ-C3
63	2 - 8	12x24x7	12x24x7	6201 ZZ-C3	6201 ZZ-C3
71	2 - 8	15x30x7	15x26x7	6202 ZZ-C3	6202 ZZ-C3
80	2 - 8	20x35x7	20x35x7	6204 ZZ-C3	6204 ZZ-C3
90	2 - 8	25x40x7	25x40x7	6205 ZZ-C3	6205 ZZ-C3
100	2 - 8	30x47x7	30x47x7	6206 ZZ-C3	6206 ZZ-C3
112	2 - 8	30x47x7	30x47x7	6206 ZZ-C3	6206 ZZ-C3
132	2 - 8	40x62x8	40x62x8	6208 ZZ-C3	6208 ZZ-C3
160	2 - 8	45x62x8	45x62x8	6309 ZZ-C3	6309 ZZ-C3
180	2 - 8	55x72x8	55x72x8	6311 ZZ-C3	6311 ZZ-C3
200	2 - 8	60x80x8	60x80x8	6312 ZZ-C3	6312 ZZ-C3
225	2 - 8	65x80x10	65x80x10	6313 ZZ-C3	6313 ZZ-C3
250	2 - 8	70x90x10	70x90x10	6314 ZZ-C3	6314 ZZ-C3
280	2	70x90x10	70x90x10	6314 ZZ-C3	6314 ZZ-C3
280	4 - 8	85x100x12	85x100x12	6317 ZZ-C3	6317 ZZ-C3
315	2	85x110x12	85x110x12	6317-C3	6317-C3
315	4 - 8	95x120x12	95x120x12	NU 319-C3	6319-C3
355	2	95x120x12	95x120x12	6319-C3	6319-C3
355	4 - 8	110x130x12	110x130x12	NU 322-C3	6322-C3
400	4 - 8	130X160X12	130X160X12	NU 326-C3	6326-C3



There is an ongoing project modification during the years 2016 and 2017 for which in such years the motors can also be equipped with open bearings (not ZZ) and lubricators

"bearing lubrication devices" are an optional.



TERMS OF SALE AND GUARANTEE

ARTICLE 1 GARANTEE

1.1. Barring written agreements, entered into between the parties hereto each time, Motive hereby guarantees compliance of products supplied and compliance with specific agreements. The guarantee for defects shall be restricted to product defects following design, materials or manufacturing defects leading back to Motive.

The Guarantee shall not include:

- * faults or damages ensuing from transport., faults or damages ensuing from installation defects; incompetent use of the product, or any other unsuitable use.
- * tampering or damages ensuing from use by non - authorised staff and/or use of non - original parts and/or spare parts;
- * Defects and/or damages ensuing from chemical agents and/or atmospheric phenomena (e.g. burnt out material, etc.); routine maintenance and required action or checks;
- * Products lacking a plate or having a tampered plate.

1.2. Returns to credit or replace will be accepted only in exceptional cases; However returns of goods already used to credit or replace won't be accepted in any case. The guarantee shall be effective for all Motive products, with a term of validity of 12 months, starting from the date of shipment. The guarantee shall be subject to specific written request for Motive to take action, according to statements, as described at the paragraphs hereinbelow. By virtue of aforesaid approval, and as regards the claim, Motive shall be bound, at its discretion, and within a reasonable time-limit, to alternatively take the following action:

- a) To supply the Buyer with products of the same type and quality as those having proven defective and not complying with agreements, free ex-works; in aforesaid case, Motive shall have the right to request, at the Buyer's charge, early return of defective goods, which shall become Motive's property;
- b) To repair, at its charge, the defective product or to modify the product which does not comply with agreements, by performing aforesaid action at its facilities; in aforesaid cases, all costs regarding product transport shall be sustained by the Buyer.
- c) To send spare parts free of charge: all costs regarding product transport shall be sustained by the Buyer.

1.3 The guarantee herein shall assimilate and replace legal guarantees for defects and discrepancies, and shall exclude any other eventual Motive liability, however caused by supplied products; in particular, the Buyer shall have no right to submit any further claims. Motive shall not be liable for the enforcement of any further claims, as of the date the guarantee's term of validity expires.

ARTICLE 2 CLAIMS

2.1. Without prejudice to the application of provisions in Law, dated June 21, 1971, and as per Article 1: Claims, regarding quantity, weight, gross weight and colour, or claims regarding faults and defects in quality or compliance, and which the Buyer may discover on goods delivery, shall be submitted by a max. 7 days of aforesaid discovery, under penalty of nullity.

ARTICLE 3 DELIVERY

3.1. Any liability for damages ensuing from total or partial delayed or failed delivery, shall be excluded.

3.2. Unless differently communicated by written to the Client, the transport terms have to be intended ex-works

ARTICLE 4 PAYMENT

4.1. Any delayed or irregular payments shall entitle Motive to cancel ongoing agreements, including agreements which do not regard the payments at issue, as well as entitling Motive to claim damages, if any. Motive shall, however, have the right, as of the payment's due date and without placing in arrears, to claim interest for arrears, to the extent of the discount rate in force in Italy, increased by 5 points. Motive shall also have the right to withhold material under repair for replacement. In the case of failed payment, Motive shall have the right to cancel all guarantees on materials, as regards the insolvent Client.

4.2. The Buyer shall be bound to complete payment, including cases whereby claims or disputes are underway.



**DOWNLOAD
THE TECHNICAL
MANUAL FROM
WWW.MOTIVE.IT**

ALL DATA HAVE BEEN WRITTEN AND CHECKED WITH THE GREATEST CARE. WE DO NOT TAKE ANY RESPONSIBILITY FOR POSSIBLE ERRORS OR OMISSIONS. MOTIVE CAN CHANGE THE CHARACTERISTICS OF THE SOLD ITEMS ON HIS FIRM OPINION AND IN EVERY MOMENT.



You can download each motor or gearbox final test report from www.motive.it, starting from its serial number



ASK OUR FURTHER CATALOGUES:



Motive s.r.l.

Via Le Ghiselle, 20

25014 Castenedolo (BS) - Italy

Tel.: +39.030.2677087 - Fax: +39.030.2677125

web site: www.motive.it

e-mail: motive@motive.it



AREA DISTRIBUTOR