

MEDIUM INTENSITY

MIOL-B Ex eb mb op is/MIOL-C Ex eb mb op is

Patented chimney effect for optimum cooling of the beacon

Stabilised light output: 2.000cd

Standard circuits or TWIN*

Anodised aluminium body

Anti-condensation Gore-Tex valve

- ▶ Based on LED technology
- ▶ Red flashing light (MIOL-B)
- ▶ Red steady burning light (MIOL-C)

Patented optical lens fastened with metal clamps

Borosilicate glass tube protection

Spirit level

Air-cooling system for +65% heat dissipation

approved "op is"
as per IEC 60079-28
Optical Radiation



*as option

IP66

Front view

Rear view

INTERNATIONAL PATENTS: GRANTED AND PENDING

LUXSOLAR Medium Intensity Obstruction light, according to ICAO (Medium Intensity Type B or C) and FAA (L-864) rules, **MIOL-B Ex** emits a **red flashing light**, while **MIOL-C Ex** emits **red steady burning light**.

The beacon body is ATEX, IECEx and INMETRO certified, according to rules EN 60089-0; EN 60079-7; EN 60079-18; EN 60079-28; EN 60079-31.

LUXSOLAR LED Aircraft Warning Lights, realized with high-quality materials and covered by several international patents, are the ideal solution for an efficient, compact, reliable and with long lifetime (>10 years) device.

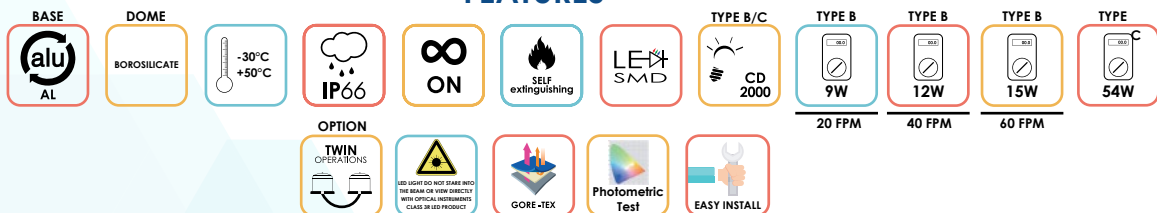
CERTIFICATION



COMPLIANCE



FEATURES



TYPICAL APPLICATION



Drawings, photos and contents of this document are for informational purposes only and subject to change without any notice.

MEDIUM INTENSITY

MIOL-B Ex eb mb op is/MIOL-C Ex eb mb op is TECHNICAL SPECIFICATIONS

OPTICAL FEATURES

- Based on LED technology
- RED light 2.000cd
- Horizontal beam radiation: 360°
- Vertical beam spread: 4°
- PMMA lens (PMMA)
- Light output alignment device
- ATEX execution Zone 1 and Zone 21:
 - Ex II 2GD Ex eb mb op is IIC T6 Gb
 - Ex op is tb IIIC T80° Db IP66
- ATEX execution Zone 2 and Zone 22:
 - Ex II 3GD Ex eb mb IIC T6 Gc
 - Ex tb IIIC T80° Dc IP66
- IECEx execution Zone 1:
 - Ex eb mb op is IIC T6 Gb
 - Ex op is tb IIIC T80°C Db IP66
- IECEx execution Zone 2:
 - Ex eb mb IIC T6 Gc
 - Ex tb IIIC T80° Dc IP66

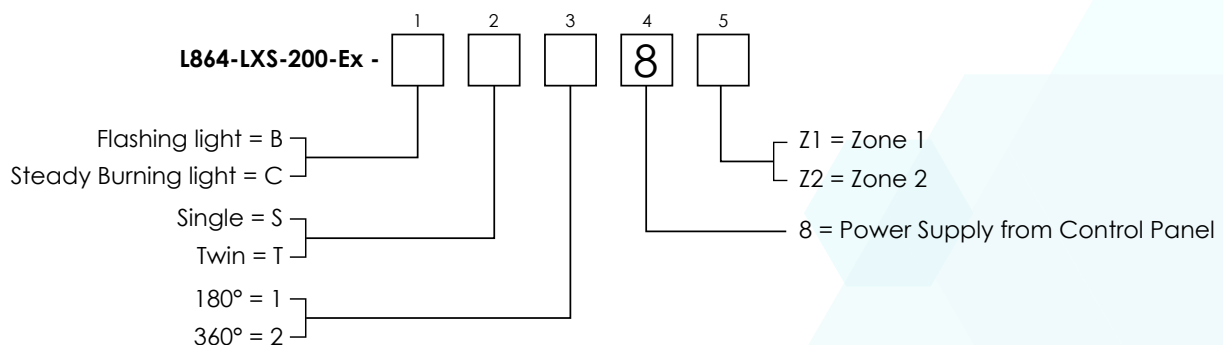
MECHANICAL FEATURES

- Borosilicate glass tube protection
- RAL 2004 painted aluminium body lamp
- Degree of protection: IP66
- Anti-Condensation Gore-Tex Valve
- Ambient temperature: -30°C to +50°C
- Storage temperature: -30°C to +50°C
- Lamp unit weight: 6kg approx

OPTIONS

- Horizontal beam radiation: 180°
- Power supply AC or DC
- GPS (Global Position System) synchronization
- Twin version: two galvanically separated circuits in the same fixture
- Fault alarm
- Automatic changeover from normal to backup light

ORDER CODE



ELECTRICAL FEATURES

- Alarm/remote status control
- Power supply from dedicate separate control panel/controller AC or DC
- Average power consumption for MIOL-B Ex:
 - @20fpm: 9W
 - @40fpm: 12W
 - @60fpm: 15W
- Average power consumption for MIOL-C Ex (Steady Burning): 54W
- LED feeded at constant current
- Lightning protection
- No RF-radiations
- Range section of connectable conductors: da 0,5 a 2,5 mm²

APPLY TO

- Stack - Chimney - Tower crane
- Offshore Platform
- Chemical and petrochemical plant

CERTIFICATIONS

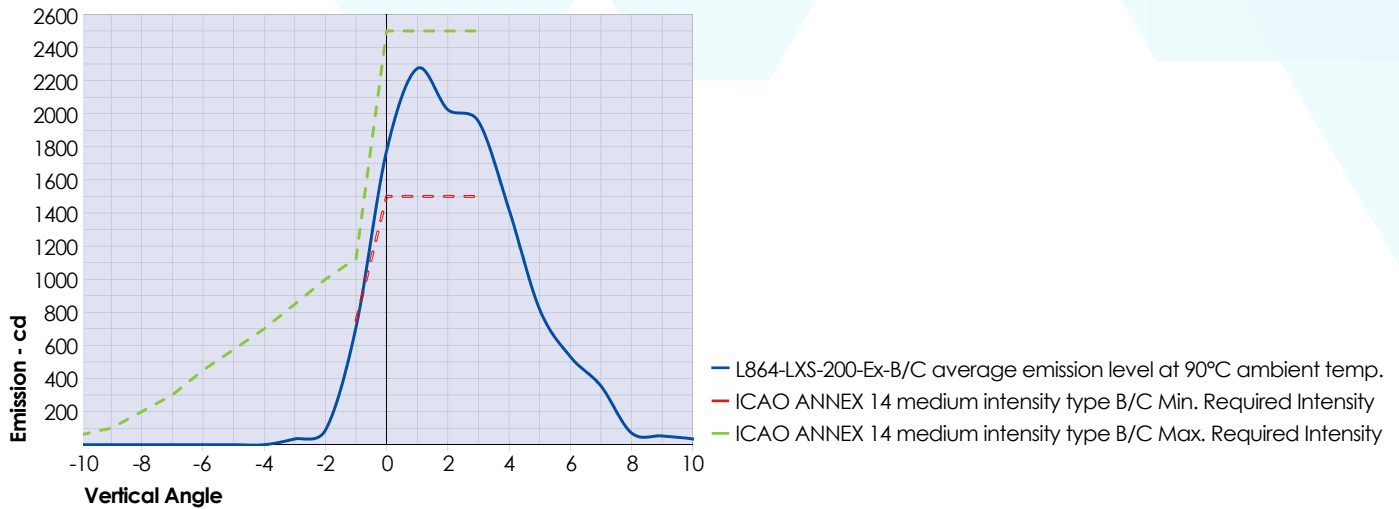
- ATEX certificate for Zone 1 nr EPT 18 ATEX 3019X
- ATEX certificate for Zone 2 nr EPTI 18 ATEX 0353X
- IECEx certificate for Zone 1 - in progress
- IECEx certificate for Zone 2 nr. IECEx EUT 18.0029X
- ENAC approval nr. 0135182/ENAC/CIA
- DGAC/STAC approval nr. 2013A037
- ASD404 Malaysian certificate ASD404/CERT/118-2019
- CE marking

COMPLIANCE

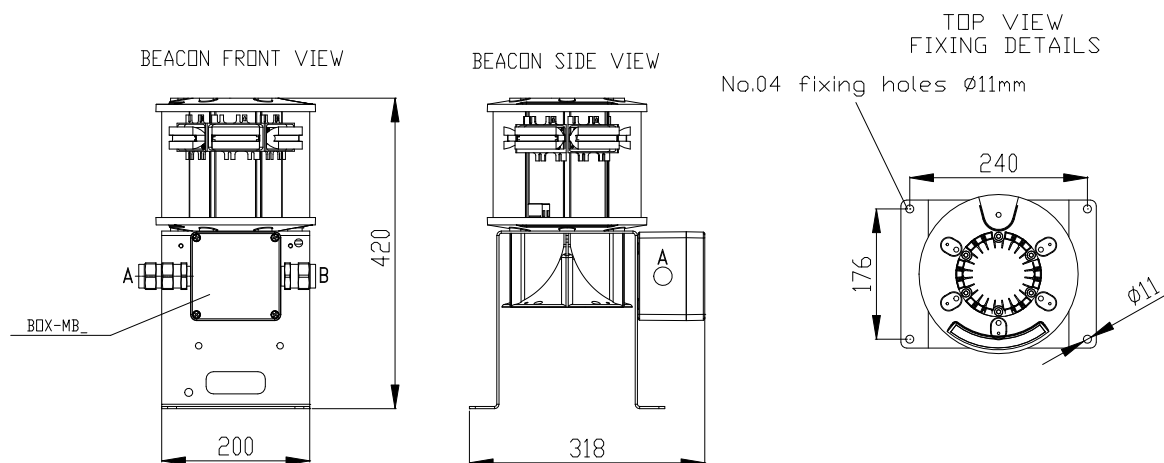
- ICAO Aerodromes -Annex 14 Vol. 1, Chapter 6: Medium intensity, Type B flashing obstacle light MIOL-B type or Type C steady burning obstacle light MIOL-C type
- FAA AC150/5345-43 E.B. #67 type L-864

MEDIUM INTENSITY

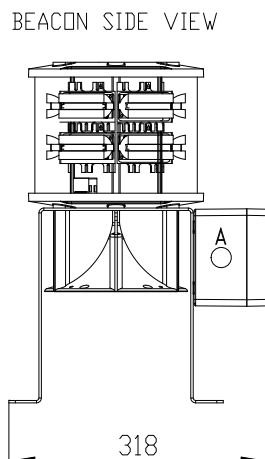
MIOL-B Ex eb mb op is/MIOL-C Ex eb mb op is TECHNICAL SPECIFICATIONS



SINGLE VERSION



TWIN VERSION



Drawings, photos and contents of this document are for informational purposes only and subject to change without any notice.