

EDS and EFD explosionproof snap switches

For general use; front operated

Cl. I, Div. 1 & 2, Groups B^A, C, D
 Cl. II, Div. 1, Groups E, F, G
 Cl. II, Div. 2, Groups F, G
 Cl. III
 NEMA 3, 7B^ACD, 9EFG, 12

Explosionproof
 Dust-ignitionproof
 Raintight
 Wet locations

2A

Applications:

EDS and EFD snap switches are installed in a rigid metallic conduit system for surface mounting adjacent to or remote from equipment being controlled and are used:

- To prevent arcing of enclosed switch from causing ignition of a specific hazardous atmosphere, or atmospheres, external to the enclosure
- In industrial areas, such as chemical plants, oil and gas refineries, paint and varnish manufacturing plants, gasoline bulk loading terminals, grain elevators, grain processing industries, coal processing or handling areas or metal handling or finishing areas where atmosphere may contain hazardous gases and/or dust
- In non-hazardous areas where sturdy, durable enclosures are required

Features:

- Small and compact in design
- Enclosures used with snap switches
- Mounting lugs and taper tapped hubs with integral bushings
- Large machine screws for fastening covers to bodies
- Lockout hole for padlock having 1/4" hasp is provided
- Threaded type shafts and bushings are used to ensure flametightness

Certifications and compliances:

NEC/CEC:

- Class I, Divisions 1 & 2, Groups B^A, C, D
- Class II, Division 1, Groups E, F, G
- Class II, Division 2, Groups F, G
- Class III

UL standard:

- UL1203

CSA standard:

- C22.2 No. 30

Environmental ratings:

- NEMA/EEMAC 3, 7B^ACD, 9EFG, 12

A Single-gang – 1P, 2P, 3W, 4W (20A): Factory sealed for Class I, Divisions 1 & 2, Groups B, C, D – no seals required. **Single-gang – 1P (30A), 2P (30A), 3P (10A, 15A), 3W (30A):** Class I, Division 1, Groups C, D and Class I, Division 2, Groups B, C, D – seal within 18". Class I, Division 1, Group B – add suffix GB and install seals within 1/2" of conduit openings for self-certification to UL standard.

Two-gang – 20A: Factory sealed for Class I, Division 1, Groups C, D and Class I, Division 2, Groups B, C, D – no seals required. Class I, Division 1, Group B – add suffix GB suffix and install seals within 1/2" of conduit openings for self-certification to UL standard. **Two-gang – 30A:** Class I, Division 1, Groups C, D and Class I, Division 2, Groups B, C, D – seal within 18". Class I, Division 1, Group B – add suffix GB and install seals within 1/2" of conduit openings for self-certification to UL standard.

B Dimensions are approximate, not for construction purposes.

Standard materials:

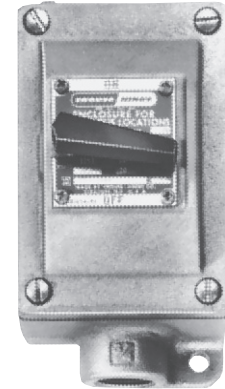
- Bodies and covers – Feraloy iron alloy
- Shafts – stainless steel
- Shaft bushings – stainless steel

Standard finishes:

- Feraloy iron alloy – electrogalvanized and aluminum acrylic paint
- Stainless steel – natural

Options:

Description	Suffix
Two- or three-gang bodies supplied with combinations of devices listed for single-gang enclosures	See Section 4C
<i>Refer to modular listing</i>	
Class I, Group B, NEMA 7B	GB^A
Copper-free aluminum bodies and covers	SA
Flush wall mounting cover with 1/2" overhang	S173
<i>Available with single-gang only</i>	
<i>Dull black instrument finish</i>	

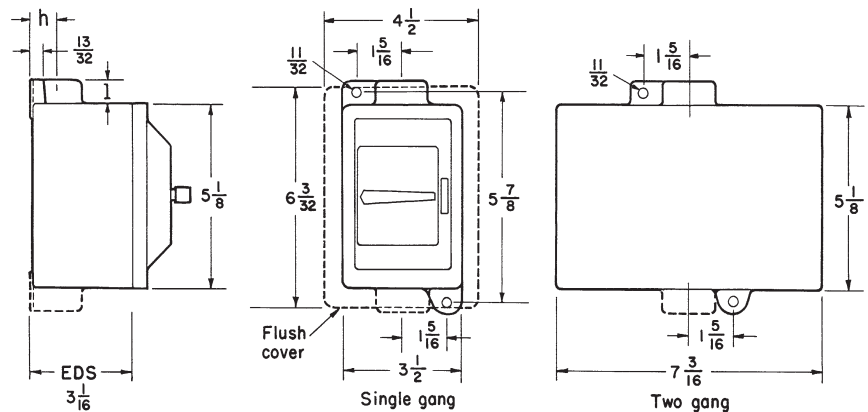


Electrical ratings:

Complies with UL snap switch test requirements as follows:

Type of test	AC rated (only) switch
Overload	Rated amperage +380% Power factor 0.40 - 0.50 100 cycles, 6-10 cycles per minute
Non-inductive endurance	10,000 cycles, 18-24 cycles per minute at rated current – 0.98 min. P.F.
Inductive endurance	10,000 cycles, 18-24 cycles per minute – 0.75 - 0.80 P.F.
Tungsten filament lamp endurance	10,000 cycles, 6-10 cycles per minute at rated current and 120V
Temperature rise	Not to exceed 30°C
Dielectric withstand	1,500V

Dimensions^B (in inches):



Hub size	h	I
3/4"	7/8	13/16
1"	1	15/16

2A

EDS and EFD explosionproof snap switches

For general use; front operated

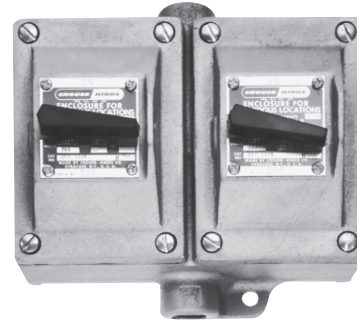
Cl. I, Div. 1 & 2, Groups B[Ⓞ], C, D
 Cl. II, Div. 1, Groups E, F, G
 Cl. II, Div. 2, Groups F, G
 Cl. III
 NEMA 3, 7B[Ⓞ]CD, 9EFG, 12

Explosionproof
 Dust-ignitionproof
 Raintight
 Wet locations

2A



Dead end



Through feed

2A

Ordering information:

Hub size	Style	Amperes [ⓓ]		Single-gang			Two-gang [ⓔ]	
		120 VAC	277 VAC	Cat. # Dead end	Cat. # Through feed	Replacement switch	Cat. # Dead end	Cat. # Through feed
3/4"	1-pole	20	20	EDS2129	EDSC2129 [ⓗ]	SW5	EDS2229	EDSC2229 [ⓗ]
3/4"	2-pole	20	20	EDS218	EDSC218 [ⓗ]	SW6		EDSC228 [ⓗ]
3/4"	3-pole	[ⓕ] [ⓖ]	[ⓕ]	EDS2123	EDSC2123	0206500		EDSC2223
3/4"	3-way	20	20	EDS2130	EDSC2130	SW7	EDS2230	EDSC2230
3/4"	4-way	20	20	EDS2140	EDSC2140	SW8		EDSC2240
1"	1-pole	20	20	EDS3129	EDSC3129 [ⓗ]	SW5	EDS3229	EDSC3229 [ⓗ]
1"	2-pole	20	20	EDS318	EDSC318 [ⓗ]	SW6	EDS328	EDSC328 [ⓗ]
1"	3-pole	[ⓕ] [ⓖ]	[ⓕ]	EDS3123	EDSC3123	0206500		EDSC3223
1"	3-way	20	20	EDS3130	EDSC3130	SW7	EDS3230	EDSC3230
1"	4-way	20	20	EDS3140	EDSC3140	SW8	EDS3240	EDSC3240
1"	1-pole	30 [ⓖ]	30	EFD3591	EFDC3591 [ⓗ]	Consult factory	EFD3691	EFDC3691 [ⓗ]
1"	2-pole	30 [ⓖ]	30	EFD3593	EFDC3593 [ⓗ]	Consult factory		EFDC3693 [ⓗ]
1"	3-way	30 [ⓖ]	30	EFD3594	EFDC3594	Consult factory	EFD3694	EFDC3694

[ⓖ]Single-gang – 1P, 2P, 3W, 4W (20A): Factory sealed for Class I, Divisions 1 & 2, Groups B, C, D – no seals required. Single-gang – 1P (30A), 2P (30A), 3P (10A, 15A), 3W (30A): Class I, Division 1, Groups C, D and Class I, Division 2, Groups B, C, D – seal within 18". Class I, Division 1, Group B – add suffix GB and install seals within 1 1/2" of conduit openings for self-certification to UL standard.

Two-gang – 20A: Factory sealed for Class I, Division 1, Groups C, D and Class I, Division 2, Groups B, C, D – no seals required. Class I, Division 1, Group B – add suffix GB suffix and install seals within 1 1/2" of conduit openings for self-certification to UL standard. Two-gang – 30A: Class I, Division 1, Groups C, D and Class I, Division 2, Groups B, C, D – seal within 18". Class I, Division 1, Group B – add suffix GB and install seals within 1 1/2" of conduit openings for self-certification to UL standard.

[ⓓ]See table on previous page for AC rated switch information.

[ⓔ]Combinations of switches can be furnished.

[ⓕ]15A, 125 VAC; 10A, 250 VAC.

[ⓖ]Not factory sealed.

[ⓗ]ON-OFF standard marking for 1-pole and 2-pole units.