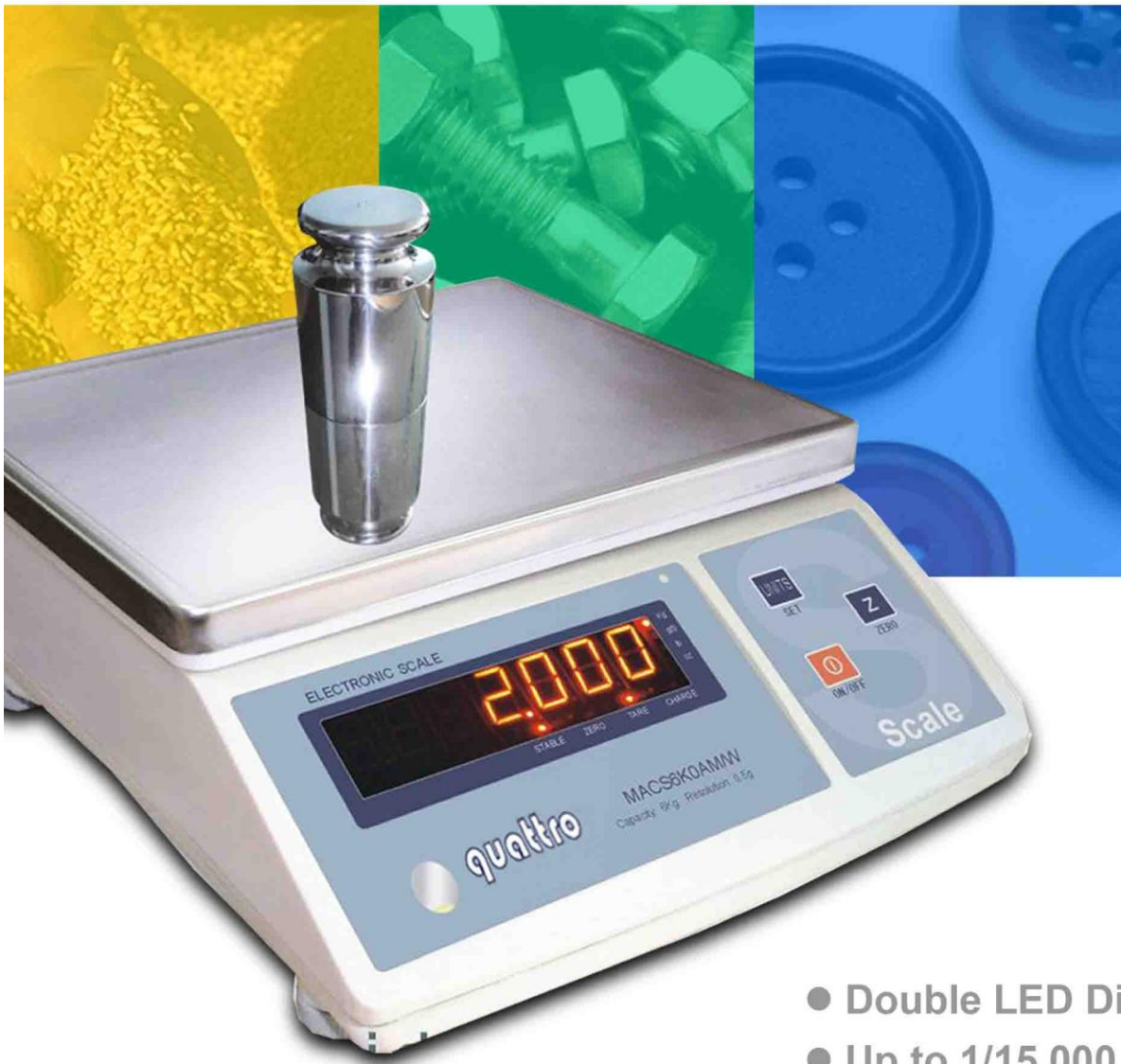


MAC'S

Electronic Scale

Capacity: 1.5 ~ 15kg



- Stainless steel tray
- 1 year warranty
- Counting function (version MACS-C)

- Double LED Display
- Up to 1/15,000 resolution
- Rechargeable battery

For simple weighing or counting at favorable cost, the MACs is available in capacities: 1.5kg - 15kg range.

quattro

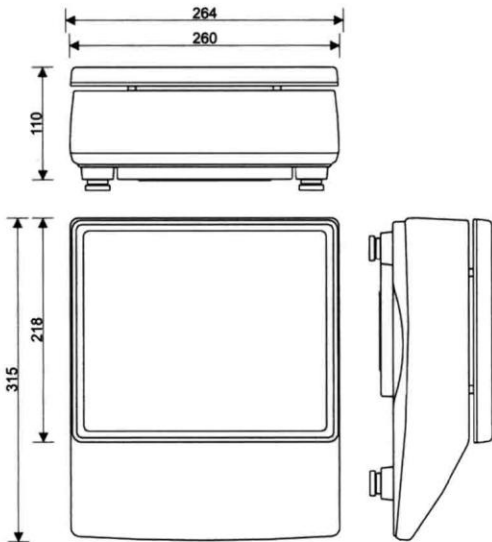
Features

Double LED Display - front and back display
High Resolution - 1/12,000 ~ 1/15,000 resolution
Two power sources - Rechargeable battery or AC Adaptor
HI/LO Alarm - Checkweigh function
Auto calibration - Easy and accurate result calibration

Stainless steel Tray - Ideal for weighing food grade
Unit Conversion - kg, g, lb, oz selectable
Auto zero-tracking - To ensure the scale is always centre zero
High accuracy loadcell - Using C3+ grade loadcell
1-year warranty - Full 1-year warranty including spareparts

Dimensions Unit : mm

MAC's

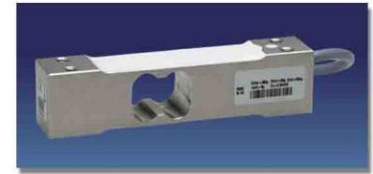


Easy to use tactile buttons



Large bright LCD Display with designators

Package Size : 40 x 19 x 33cm
 Package Weight : 18.7kg



Powered by C3+ grade Loadcell

Models	MACS-1,5/W	MACS-3/W	MACS-6/W	MACS-15/W	MACS-30/W
Capacity	1.5kg x 0.05g	3kg x 0.1g	6kg x 0.2g	15kg x 0.5g	30kg x 1g
Display	Front: LED (20 mm) Back: LED (15mm)				
Display Designators	ZERO, STABLE, TARE, LO-BAT, kg, g, lb, oz				
Power Source	6V 4AH Rechargeable battery; 220VAC 12VDC Adaptor				
Platform Size	218 x 260mm				

Models	MACS-1,5/C	MACS-3/C	MACS-7,5/C	MACS-15/C
Capacity	1.5kg x 0.1g	3kg x 0.2g	7.5kg x 0.5g	15kg x 1g
Display	3 Row LCD display (Weight, Unit Weight, Pcs)			
Display Designators	ZERO, STABLE, TARE, CHARGE, LOS, LPW			
Power Source	6V 4AH Rechargeable battery; 220VAC 12VDC Adaptor			
Platform Size	218 x 260mm			