

XE-W 系列SERIES

自行式电动剪叉型高空作业平台

ELECTRIC SELF-PROPELLED SCISSOR LIFT

Standard Features

- XE-W series working height is 8m(about 26 feet) and 14m(about 46 feet)
- The platform can outreach 1m
- XE-W series can be easily passed double standard door
- Large lift capacity, min. lift capacity is 350 kg, max. lift capacity is 550kg
- Proportional controls for lift and drive functions
- Automatic 25 amp battery charger provides strong power for vehicle
- Safe distance protection when the platform lowering down. (CE)
- Manual Emergency platform lowering valve, when there is no power, the machine can be safety lower down
- Emergency stop at both platform and ground controls
- Drive speed interlock limits speed while elevated
- Multiple disc brakes provide smooth deceleration
- When there is no power, manual brake release function can move the machines under the circumstances when there is no other forklift, lifting equipment and so on
- Pothole guards protect the machine don't tilting down when the machine moved on the raised position
- Non-marking tires
- AC wiring to platform
- Tilt level sensor with an audible alarm
- Beeper horn
- Hour meter
- Safety brackets
- Battery charge indicator
- Forklift pockets
- Diagnosis system
- Extended platform

Option Features

- Platform revolving door
- Air pipe to the platform
- Power outlet channel platform
- Platform working light
- Maintenance-free battery
- Safety devices against overloading
- Flashing warning lights
- Motorcar horn
- Collision Avoidance System
- Head protection automatic stop system



美通重工有限公司

Mantall Heavy Industry Co.,Ltd

公司地址: 中国江苏省启东市滨海工业园滨海大道62号 邮编/PC: 226236

ADD: No.62,Binhai Avenue,Binhai Industry Park,Qidong City,Jiangsu Province,China

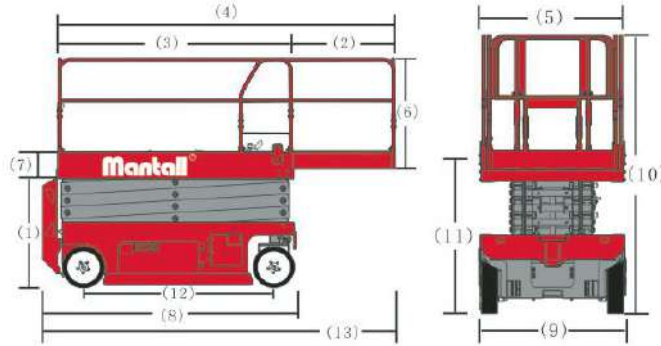
电话/Tel: +86-513-83830000 83696888

传真/Fax: +86-513-83905178

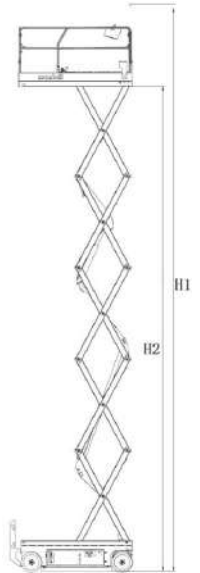
E-mail:sales@mantall.com

网址/Web:www.mantall.com

ELECTRIC SELF-PROPELLED SCISSOR LIFT



Model s	XE80W		XE100W		XE120W		
	Metric system	Inch	Metric system	Inch	Metric system	Inch	
Working height max	8m	26Foot2Inch	10m	32Foot10Inch	12m	39Foot5Inch	
Platform height max	6m	19Foot8Inch	8m	26Foot2Inch	10m	32Foot10Inch	
Outreach	1m	3Foot4Inch	1m	3Foot4Inch	1m	3Foot4Inch	
Lifting capacity	550kg	1212Pound	450kg	992Pound	350kg	771Pound	
Lifting capacity (Extended platform)	120kg	264Pound	120kg	264Pound	120kg	264Pound	
Weight	ANSI/CSA Standard	1800kg	3968Pound	1960kg	4321Pound	2370kg	5225Pound
	CE/AUS Standard	1980kg	4365Pound	2264kg	4991Pound	2810kg	6195Pound
Platform size(L×W×H)	Metric system: 2.25m×1.15m×1.1m Inch: 7Foot5Inch×3Foot10Inch×3Foot7Inch						
The length of platform extended	3.2m	10Foot6Inch	3.3m	10Foot10Inch	3.3m	10Foot10Inch	
Skirting board height	0.15m	6Inch	0.15m	6Inch	0.176m	7Inch	
Stowed size(L×W)	Metric system: 2.42m×1.2m Inch: 7Foot11Inch*3Foot11Inch						
Stowed height	2.12m	7Foot	2.25m	7Foot5Inch	2.38m	7Foot10Inch	
Width of the machine with platform folded	1.55m	5Foot1Inch	1.76m	5Foot10Inch	1.9m	6Foot2Inch	
Wheelbase	1.85m	6Foot1Inch	1.85m	6Foot1Inch	1.85m	6Foot1Inch	
Length of the machine with platform extended	3.4m	11Foot2Inch	3.42m	11Foot2Inch	3.42m	11Foot2Inch	
Hydraulic tank capacity(L)	15		15		25		
Gradeability	30%		30%		25%		
Ground clearance	0.1m	4Inch	0.1m	4Inch	0.1m	4Inch	
Pothole protection board ground clearance(down)	0.019m	1Inch	0.019m	1Inch	0.019m	1Inch	
Inside rotation radius	0	0.0	0	0.0	0	0.0	
Outside turning radius	2.3m	7Foot6Inch	2.3m	7Foot6Inch	2.3m	7Foot6Inch	
Load number max	3		3		3		
Raised time/Lowering time(s)	32/35		45/42		65/52		
Traction speed	3.4km/h	2.1Mi le/Hour	3.4km/h	2.1Mi le/Hour	3.4km/h	2.1Mi le/Hour	
Safe speed	0.7km/h	0.43Mi le/Hour	0.7km/h	0.43Mi le/Hour	0.7km/h	0.43Mi le/Hour	
Vertical tilt°	3		3		3		
Lateral tilt°	2		2		2		
Power source	4×6V; 225Ah						
Tire size	406mm×127mm×318mm/1Foot4Inch*5Inch*1Foot						



ELECTRIC SELF-PROPELLED SCISSOR LIFT

Model s	XE140W		XE160W	
	Metric system	Inch	Metric system	Inch
Working height max	14m	45Foot11Inch	16m	52Foot6Inch
Platform height max	12m	39Foot5Inch	14m	45Foot11Inch
Outreach	1m	3Foot4Inch	1m	3Foot4Inch
Lifting capacity	350kg	771Pound	230kg	507Pound
Lifting capacity	120kg	264Pound	100kg	220Pound
Weight	ANSI/CSA Standard	2690kg	5930Pound	
	CE/AUS Standard	3081kg	6792Pound	3300kg
Platform size(L×W×H)	Metric system: 2.25m×1.15m×1.1m			
The length of platform	3.3m	10Foot10Inch	3.3m	10Foot10Inch
Skirting board height	0.176m	7Inch	0.176m	7Inch
Stowed size(L×W)	Metric system: 2.42m×1.2m Inch: 7Foot11Inch*3Foot11Inch			
Stowed height	2.5m	8Foot2Inch	2.6m	8Foot6Inch
Width of the machine with	2m	6Foot7Inch	2m	6Foot7Inch
Wheel base	1.85m	6Foot1Inch	1.85m	6Foot1Inch
Length of the machine with	3.42m	11Foot2Inch	3.42m	11Foot2Inch
Hydraulic tank capacity(L)	25		25	
Gradeability	23%		20%	
Ground clearance	0.1m	4Inch	0.1m	4Inch
Pothole protection board ground clearance(down)	0.019m	1Inch	0.019m	1Inch
Inside rotation radius	0	0.0	0	0.0
Outside turning radius	2.3m	7Foot6Inch	2.3m	7Foot6Inch
Load number max	3		3	
Raised time/Lowering time(s)	68/55		80.2/85.1	
Traction speed	3.4km/h	2.1Mile/Hour	3.4km/h	2.1Mile/Hour
Safe speed	0.7km/h	0.43Mile/Hour	0.7km/h	0.43Mile/Hour
Vertical tilt°	3		3	
Lateral tilt°	2		2	
Power source	4×6V; 225Ah			
Tire size	Metric system: 406mm×127mm×318mm Inch: 1Foot4Inch*5Inch*1Foot			

