

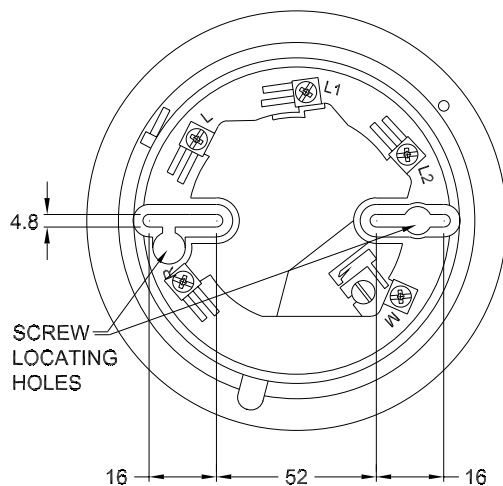
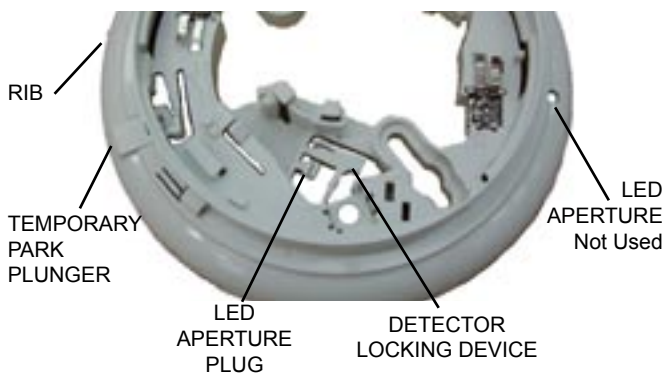
Tyco 5B Universal Detector Base

INFORMATION SHEET

DESCRIPTION

The 5B Universal Base is compatible with both the 614 collective series and the MX analogue addressable series of detectors and functional bases. It is intended for two-wire operation.

With a detector mounted in the base, a raised rib on both base and detector is aligned when the detector is in the fully home position.



SPECIFICATIONS

Mechanical

Overall Dimensions:

Height	24mm
Diameter	127mm
Weight	63g

Part Numbers

5B Base	517.050.017
Deckhead Mount	517.050.603
Euro Mount	517.050.604
Detector Cage	517.050.614

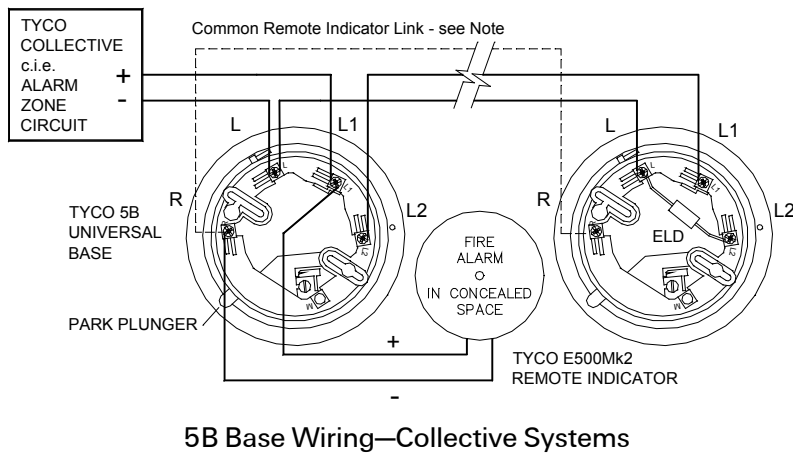
Environmental

Ambient Temperature	-25°C to +75°C
Storage Temperature	-40°C to +80°C
Relative Humidity	10% to 95% (non cond.)

FIXING

The base should be fixed such that the park plunger faces toward the door or trafficable area. This ensures the detector LED will be visible from the direction of entry, in accordance with AS1670.1-2004. The 5B base should be located as shown on the site plan, fixed to a suitable flat surface strong enough to take the weight of the base and detector. Two pan head screws 4.8mm diameter (max.) are required (not supplied) for fixing the base. The base may be fixed directly to the

ceiling, to a conduit box, DHM5B deckhead mount or Euro Mount base. To aid fixing, there are enlarged holes in the base allowing a screw to be started, then the base inserted over the screw head and rotated on the screw to be held loosely on the ceiling. The second screw can then be installed and both screws tightened. The 5B base has four electrical contacts which align with the contacts on the detector once the latter is fitted and fully latched into position.

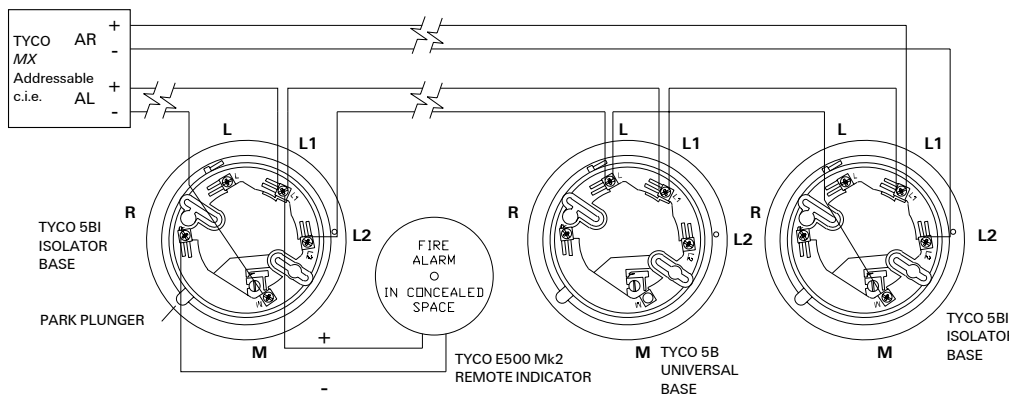


5B Base Wiring—Collective Systems

WIRING—Collective

Cables are connected to base terminals L (-In/Out) and L1 (+In) and L2 (+Out) for Collective systems. A Remote Indicator may be connected between positive L1 (+) and R (-).

Note: When a T6 14 heat detector is used with a common remote indicator, a rectifier diode (eg 1N4004) must be wired in series between the 'R' terminal of each T6 14's base and the remote indicator. This is not required with the T6 14 Mk2 or 6 14T. Refer to the T6 14 or Tyco 6 14T information sheet for further information.



The MX c.i.e. can be programmed to illuminate a Remote Indicator for detectors in alarm other than the detector base to which the Indicator is connected.

5B Base Wiring—Addressable Systems

WIRING—Addressable

Loop cabling is connected to base terminals L (-In/Out) and L1 (+In/Out). A remote indicator may be connected between loop positive L1 (+In/Out) and terminal R (-ve). Terminal L2 must not be used with the 5B base. Most addressable systems will require isolator bases (5BI) to be included in the loop - refer relevant c.i.e. design/engineering manual

WIRING—General

Cables should be arranged at each side of the terminal screw. A maximum of two 1.5mm² cables or one 2.5mm² cable can be fitted to one terminal. Any additional cables (such as Remote Indicator) should be fitted with suitable fork or eyelet crimp terminal lugs. The installation should comply with AS 1670.1/NZS 4512.

DETECTOR LOCK

The detector locking device is part of the base moulding and must be detached and inserted into the locking aperture if required. The detector may be locked in position by inserting the optional locking device in the base before fitting the selected detector. The detector may then be removed only after inserting the unlocking tool into the hole on the detector cover. A 3mm rod could be a suitable unlocking tool, or one can be fabricated by grinding a screwdriver with a 3mm diameter shaft to a length of 22mm. Use this to depress the locking arrangement to allow the detector to be rotated and removed. The locking device is available separately in packs of 100, part number 517.050.005.



Locking Device

MAINTENANCE AND SERVICE

Fire detection systems should be maintained in accordance with the relevant part of AS 1851 or NZS 4512. Rotating the detector anticlockwise past an indent to the **park** position disconnects the detector from the circuit whilst still retaining it in the base, allowing loop testing etc. Note that the Positive is opened on collective circuits. Depressing the plunger at the side of the base allows the detector to be rotated back into its operating position. Wormald Detector Clean & Calibration area able to check the calibration of most detectors.