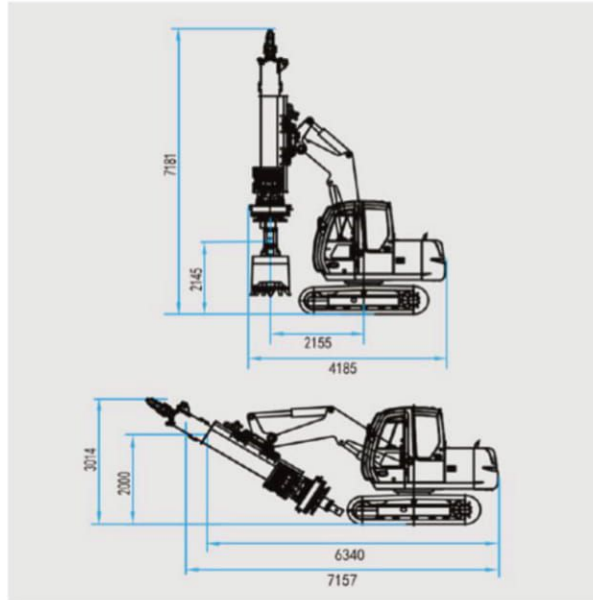


KR 40/50

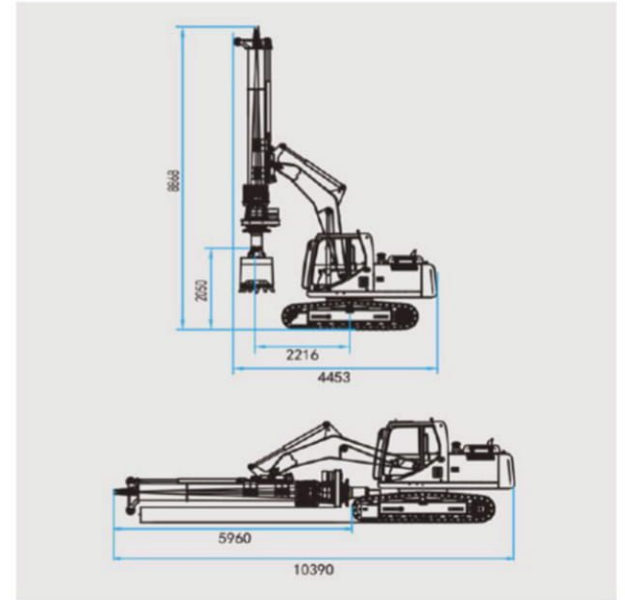
ROTARY DRILLING RIG



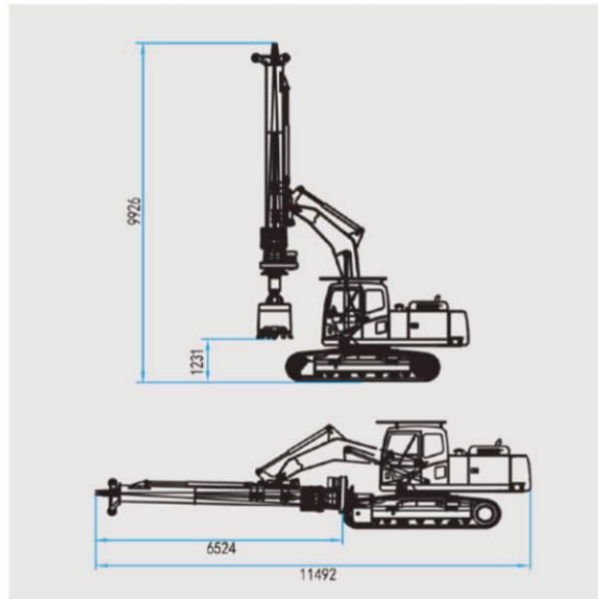
KR40 DIMENSIONS



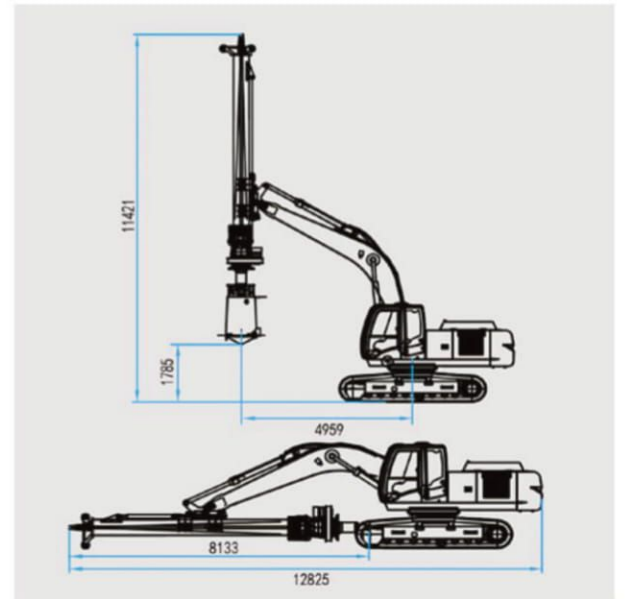
KR50 DIMENSIONS (16T)



KR50 DIMENSIONS (21T)



KR50 DIMENSIONS (30T)



KR 40/50

ROTARY DRILLING RIG

SPECIFICATION

MODEL	KR 40	KR 50	KR 50	KR 50
Excavator Size:	8 - 13 tonne	14 - 16 tonne	20 - 23 tonne	24+ tonne
Max Torque:	32/42 kNm	50 kNm	50 kNm	50 kNm
Max Drilling Diameter:	1200 mm	1200 mm	1200 mm	1200 mm
Max Drilling Depth:	10 m	16 m	20 m	24 m
Max Cylinder Thrust:	70 kN	70 kN	75 kN	75 kN
Max Cylinder Trip:	600/900 mm	1100 mm	1100 mm	1100 mm
Main Winch Pull Force:	45 kN	65 kN	65 kN	65 kN
Main Winch Speed:	30 m/min	48 m/min	48 m/min	48 m/min
Auxiliary Winch Pull Force (Matching) *	10 kN	10 kN	10 kN	10 kN
Mast Inclination (Lateral):	±6 degrees	±6 degrees	±6 degrees	±6 degrees
Mast Inclination (Forward):	+60 ~ -30 degrees	+90 ~ -30 degrees	+90 ~ -30 degrees	+90 ~ -30 degrees
Working Speed:	7 - 40 r/min	7 - 40 r/min	7 - 40 r/min	7 - 40 r/min
Min Radius of Gyration:	2750 mm	2800 mm	2950 mm	5360 mm
Max Pilot Pressure:	31.5 MPa	31.5 MPa	31.5 MPa	31.5 MPa
Operating Height:	7181 mm	8868 mm	9926 mm	11,421 mm
Operating Width:	2300 mm	2600 mm	2800 mm	3300 mm
Transport Height:	3014 mm	2731 mm	3150 mm	3311 mm
Transport Length:	7157 mm	10,390 mm	11,492 mm	12,825 mm
Transport Weight:	5.4 tonne	6.1 tonne	6.5 tonne	7 tonne
Remark:	Restructured big arm	Restructured big arm	Restructured big arm	Original arm

* This measurement is a reference only, and will differ according to the specific excavator model.



PT. MITRA TEKNINDO SEJATI

Jakarta

Rukan Sedayu Square Blok D/08,
Cengkareng, Jakarta Barat - DKI
Jakarta.

Tangerang

Pergudangan Bizlink Citra Raya
Blok P5 No. 31 Jl. Pemda Tigaraksa
Kel. Sukamulya Kec. Cikupa Kab.
Tangerang - Banten.

Surabaya

Jl. Gunungsari No. 55-59 (gudang B)
Surabaya - Jawa Timur.

Makassar

Ruko Insingnia Blok B No. 17 Jl.
Perintis Kemerdekaan KM 15 Kel.
Pai Kec. Biringkanaya Kota
Makassar - Sulawesi Selatan.

For more Information,
Please contact our local agent:



Specifications and design are subject to change without prior notice.
Machines shown may not include optional accessories.