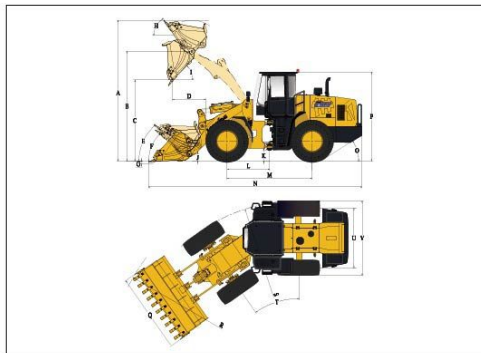


## DIMENSIONS

All dimensions are approximate. Dimensions may vary with bucket and tire choice. Refer to operating specifications.



NO.	DESCRIPTION	UNIT	DIMENSIONS
A	Overall Height – Bucket Raised	mm	5323
B	Bucket Pin Height at Max. Lift	mm	4163
C	Dump Clearance at Max. Lift (45°)	mm	3080
D	Reach at Max. Lift and 45° Dump	mm	1256
E	Rack Back Angle at Carry	°	48
F	Rack Back Angle at Ground	°	45
G	Digging Depth	mm	50
H	Rack Back Angle at Max. Lift	°	53
I	Dump Angle at Max. Lift	°	45
J	Carry Height	mm	400
K	Ground Clearance	mm	409
L	Center Line of Front Axle to Hitch	mm	1615
M	Wheel Base	mm	3230
N	Overall Length	mm	8150
O	Departure Angle	°	32
P	Height to Top of Cab	mm	3380
Q	Overall Width over Bucket	mm	3010
R	Min. Turning Radius over Bucket	mm	7106
S	Min. Turning Radius over Tires	mm	6537.5
T	Steering Angle – Left/Right	°	35
U	Width at Tread Center	mm	2240
V	Overall Width over Tires	mm	2835

## OVERALL DATA

Bucket Capacity	3.0m <sup>3</sup>
Rated Payload	5000kg
Operating Weight	17200±300kg
Traction Force	155±3kN
Breakout Force	170±3kN
LxWxH	8150x3010x3380mm

## ENGINE&ELECTRICAL SYSTEM

Maker/Model	WEICHAI/WD10G220E21
Emission Standard	National II
Engine Type	4 Stroke, Turbocharged, Water-cooled, Direct Injection, Diesel Engine
Rated Power	162kW(220hp)/2200rpm
Maximum Torque	860N·m/1400-1600rpm
Bore x Stroke (mm)	126x130
No. of Cylinders/Displacement	6/9.726L
Compression Ratio	17.0
Air Cleaner	Three Stage Air Cleaner with Cyclone Pre-cleaner
Alternator	55Amp
Battery	2-24V/120Ah
Starting Motor	24V/17.5kW
Heating Capacity (W)-OPTIONAL	5000W
Cooling Capacity (W)-OPTIONAL	4700W



PT. MITRA TEKNINDO SEJATI

## DRIVE TRAIN

Transmission Type	Planetary Powershift Transmission
Shift Type	Mechanical Powershift Control
Pressure of Transmission	1.2-1.5MPa
Torque Converter Type	Single-stage, Duo-turbine, 4-element
Torque Ratio	4.0
Axles	Rigid Front Axle&Oscillating Rear Axle
Rear Axle Oscillation (°)	±10°
Differential	Conventional
Main Reducer	Spiral Bevel, 1-stage Reduction
Final Reducer	Planetary Reduction
Tire	23.5-25 L-3 16PR TT
Travel Speeds	
km/h	1st      2nd      3rd      4th
Forward	11.5      36
Reverse	16

## BRAKE SYSTEM

Service Brake	Single Circuit Caliper, Dry Brake
Setting Pressure	0.70-0.78MPa
Parking Brake	Air Actuated Caliper Brake
Emergency Brake	Air Actuated Caliper Brake

## STEERING SYSTEM

Type	Hydraulic Load Sensing System
Pump	Gear Pump, 176L/min • 2200rpm
System Pressure	15MPa
Cylinder	Type      Double Acting
Bore x Stroke	2-100x324mm
Steering Angle	±35°

## HYDRAULIC SYSTEM

Type	Single-lever(Joystick) Control
Pump	Gear Pump, 220L/min • 2200rpm
Control Valve	2 Spool (Bucket&Boom)
System Pressure	16MPa
Cylinder	Lift Cylinder      2-180x721mm
No. Bore x stroke	Tilt Cylinder      1-200x563mm
Joystick Control Pressure	2.5MPa
Cycle Time (Sec)	Raise      Dump      Lower      Total
	6.0      1.0      4.0      11.0

## SERVICE REFILL CAPACITY

Fuel Tank (L)	285L
Hydraulic Tank (L)	270/275 (3 <sup>rd</sup> Spool for Auxiliary Function)
Crankshaft (L)	20L
Transmission (L)	46L
Front Axle/Rear Axle (L)	28L/28L

## STANDARD EQUIPMENT

WEICHAI Engine	Air Actuated Caliper Brake
LONKING Transmission	Standard Lift&Bucket (3.0m <sup>3</sup> )
Mechanical Powershift Control	ROPS&FOPS Cabin
LONKING Axles	Mechanical Instrument Panel
Joystick Control(2 Spool)	Warm-air Machine

## OPTIONAL EQUIPMENT

Cold Starting (-35°C)	Quick Hitch Coupler
Oil-bath Air Filter	Quick Hitch Bucket
23.5R25 ★★ L-3 TL	Bucket(3 Piece Cutting Edges)
23.5R25 ★★ L-5 TL	Rock Bucket(3.0m <sup>3</sup> )
Automatic Leveling&Limited Lifting Position	Enlarged Bucket(3.5m <sup>3</sup> )
3 <sup>rd</sup> Spool for Auxiliary Function	Coal Bucket(4.2m <sup>3</sup> )
Sliding Cabin Window	Log Grapple
Electric Heating Rear Window	Grass Grapple
Lockable Oil Tank Cap	Side Tip Bucket(2.5m <sup>3</sup> )
Rear View Camera	Marble Fork
Pressure Testing Connector	Log Fork
Air Conditioner	Close Sweeper
Radio/MP3	4in1 Bucket(Quick Hitch Only)
High Lift &Additional Counterweight	Snow Blade(Quick Hitch Only)

## Jakarta

Rukan Sedayu Square Blok D/08, Cengkareng, Jakarta Barat - DKI Jakarta.

## Tangerang

Pergudangan Bizlink Citra Raya Blok P5 No. 31 Jl. Pemda Tigaraksa Kel. Sukamulya Kec. Cikupa Kab. Tangerang - Banten.

## Surabaya

Jl. Gunungsari No. 55-59 (gudang B) Surabaya - Jawa Timur.

## Makassar

Ruko Insignia Blok B No. 17 Jl. Perintis Kemerdekaan KM 15 Kel. Pai Kec. Biringkanaya Kota Makassar - Sulawesi Selatan.

# LONKING 龙工

Efficiency Rules the Future

# ZL50NC WHEEL LOADER

POWERFUL WEICHAI ENGINE  
LONKING TRANSMISSION  
LONKING AXLES  
JOYSTICK CONTROL  
ROPS&FOPS CABIN  
VARIETY WITH ATTACHMENT  
CONVENIENT MAINTENANCE



- RATED POWER: 162kW/2200rpm
- BUCKET CAPACITY: 3.0 m<sup>3</sup>
- RATED PAYLOAD: 5000kg
- OPERATING WEIGHT: 17200kg