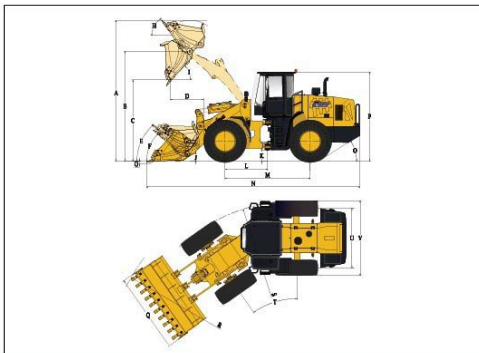


DIMENSIONS

All dimensions are approximate. Dimensions may vary with bucket and tire choice. Refer to operating specifications.



NO.	DESCRIPTION	UNIT	DIMENSIONS
A	Overall Height – Bucket Raised	mm	5275
B	Bucket Pin Height at Max. Lift	mm	4119
C	Dump Clearance at Max. Lift (45°)	mm	3062
D	Reach at Max. Lift and 45° Dump	mm	1276
E	Rack Back Angle at Carry	°	48
F	Rack Back Angle at Ground	°	45
G	Digging Depth	mm	50
H	Rack Back Angle at Max. Lift	°	53
I	Dump Angle at Max. Lift	°	45
J	Carry Height	mm	400
K	Ground Clearance	mm	409
L	Center Line of Front Axle to Hitch	mm	1615
M	Wheel Base	mm	3230
N	Overall Length	mm	8015
O	Departure Angle	°	32
P	Height to Top of Cab	mm	3380
Q	Overall Width over Bucket	mm	3000
R	Min. Turning Radius over Bucket	mm	7170
S	Min. Turning Radius over Tires	mm	6537.5
T	Steering Angle – Left/Right	°	35
U	Width at Tread Center	mm	2240
V	Overall Width over Tires	mm	2835

OVERALL DATA

Bucket Capacity	3.0m ³
Rated Payload	5000kg
Operating Weight	16800±300kg
Traction Force	155±3kN
Breakout Force	170±3kN
LxWxH	8015x3000x3380mm

ENGINE&ELECTRICAL SYSTEM

Maker/Model	WEICHA WD10G220E21	
Emission Standard	National II	
Engine Type	4 Stroke, Turbocharged, Water-cooled,	Direct Injection, Diesel Engine
Rated Power	162kW(220hp)/2200rpm	
Maximum Torque	860N·m/1400-1600rpm	
Bore x Stroke (mm)	126x130	
No. of Cylinders/Displacement	6/9.726L	
Compression Ratio	17.0	
Air Cleaner	Three Stage Air Cleaner with Cyclone	Pre-cleaner
Alternator	55Amp	
Battery	2-24V/120Ah	
Starting Motor	24V/17.5kW	
Heating Capacity (W)-OPTIONAL	5000W	
Cooling Capacity (W)-OPTIONAL	4700W	

DRIVE TRAIN

Transmission Type	Planetary Powershift Transmission				
Shift Type	Mechanical Powershift Control				
Pressure of Transmission	1.2-1.5MPa				
Torque Converter Type	Single-stage, Duo-turbine, 4-element				
Torque Ratio	4.0				
Axles	Rigid Front Axle&Oscillating Rear Axle				
Rear Axle Oscillation (°)	±10°				
Differential	Conventional				
Main Reducer	Spiral Bevel, 1-stage Reduction				
Final Reducer	Planetary Reduction				
Tire	23.5-25 L-3 16PR TT				
Travel Speeds	km/h	1st	2nd	3rd	4th
Forward	11.5		36		
Reverse	16				

BRAKE SYSTEM

Service Brake	Single Circuit Caliper, Dry Brake
Setting Pressure	0.70-0.78MPa
Parking Brake	Flexible Shaft Controlled Caliper Brake
Emergency Brake	Flexible Shaft Controlled Caliper Brake

STEERING SYSTEM

Type	Hydraulic Load Sensing System		
Pump	Gear Pump, 176L/min • 2200rpm		
System Pressure	15MPa		
Cylinder	Type	Double Acting	
	Bore x Stroke	2-100x324mm	
Steering Angle	±35°		

HYDRAULIC SYSTEM

Type	Mechanical Shift Control			
Pump	Gear Pump, 220L/min • 2200rpm			
Control Valve	2 Spool (Bucket&Boom)			
System Pressure	16MPa			
Cylinder	Lift Cylinder	2-180x721mm		
No.-Borexstroke	Tilt Cylinder	1-200x563mm		
Joystick Control Pressure	-			
Cycle Time (Sec)	Raise	Dump	Lower	Total
	6.0	1.0	4.0	11.0

SERVICE REFILL CAPACITY

Fuel Tank (L)	285L
Hydraulic Tank (L)	265/270 (3 rd Spool for Auxiliary Function)
Crankshaft (L)	20L
Transmission (L)	46L
Front Axle/Rear Axle (L)	28L/28L

STANDARD EQUIPMENT

WEICHA Engine	Flexible Shaft Controlled Caliper Brake
LONKING Transmission	Standard Lift&Bucket (3.0m ³)
Mechanical Powershift Control	ROPS&FOPS Cabin
LONKING Axles	Mechanical Instrument Panel
Mechanical Shift Control(2 Spool)	Warm-air Machine

OPTIONAL EQUIPMENT

Cold Starting (-35°C)	Quick Hitch Bucket
Oil-bath Air Filter	Bucket(3 Piece Cutting Edges)
23.5R25 ★★ L-3 TL	Rock Bucket(3.0m ³)
23.5R25 ★★ L-5 TL	Enlarged Bucket(3.5m ³)
3 rd Spool for Auxiliary Function	Coal Bucket(4.2m ³)
Sliding Cabin Window	Log Grapple
Electric Heating Rear Window	Grass Grapple
Lockable Oil Tank Cap	Side Tip Bucket(2.5m ³)
Rear View Camera	Marble Fork
Pressure Testing Connector	Log Fork
Air Conditioner	Close Sweeper
Radio/MP3	4in1 Bucket(Quick Hitch Only)
High Lift & Additional Counterweight	Snow Blade(Quick Hitch Only)
Quick Hitch Coupler	

Jakarta

Rukan Sedayu Square Blok D/08,
Cengkareng, Jakarta Barat - DKI
Jakarta.

Tangerang

Pergudangan Bizlink Citra Raya
Blok P5 No. 31 Jl. Pemda Tigaraksa
Kel. Sukamulya Kec. Cikupa Kab.
Tangerang - Banten.

Surabaya

Jl. Gunungsari No. 55-59 (gudang B)
Surabaya - Jawa Timur.

Makassar

Ruko Insignia Blok B No. 17 Jl.
Perintis Kemerdekaan KM 15 Kel.
Pai Kec. Biringkanaya Kota
Makassar - Sulawesi Selatan.

LONKING 龙工

Efficiency Rules the Future

LG855N WHEEL LOADER

POWERFUL WEICHA| ENGINE
LONKING TRANSMISSION
LONKING AXLES
LONG WHEEL BASE
ROPS&FOPS CABIN
VARIETY WITH ATTACHMENT
CONVENIENT MAINTENANCE



- RATED POWER: 162kW/2200rpm
- BUCKET CAPACITY: 3.0m³
- RATED PAYLOAD: 5000kg
- OPERATING WEIGHT: 16800kg



PT. MITRA TEKNINDO SEJATI