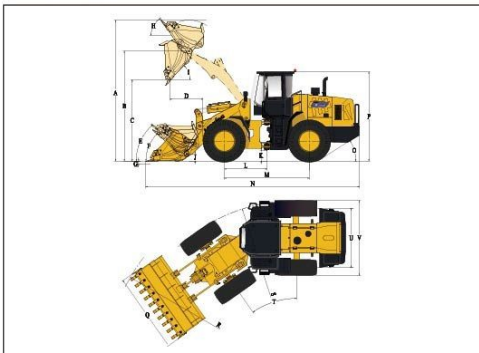


DIMENSIONS

All dimensions are approximate. Dimensions may vary with bucket and tire choice. Refer to operating specifications.



NO.	DESCRIPTION	UNIT	STD	High Dump
A	Overall Height – Bucket Raised	mm	4737	5080
B	Bucket Pin Height at Max. Lift	mm	3710	4064
C	Dump Clearance at Max. Lift (45°)	mm	2904	3249
D	Reach at Max. Lift and 45° Dump	mm	1095	1002
E	Rack Back Angle at Carry	°	46.3	46.6
F	Rack Back Angle at Ground	°	40	40.9
G	Digging Depth	mm	30-40	30-40
H	Rack Back Angle at Max. Lift	°	50.7	47
I	Dump Angle at Max. Lift	°	46.6	45
J	Carry Height	mm	400	400
K	Ground Clearance	mm	345	345
L	Center Line of Front Axle to Hitch	mm	1425	1425
M	Wheel Base	mm	2850	2850
N	Overall Length	mm	7200	7450
O	Departure Angle	°	27	27
P	Height to Top of Cab	mm	3180	3180
Q	Overall Width over Bucket	mm	2500	2500
R	Min. Turning Radius over Bucket	mm	6190	6280
S	Min. Turning Radius over Tires	mm	5675	5675
T	Steering Angle – Left/Right	°	35	35
U	Width at Tread Center	mm	1850	1850
V	Overall Width over Tires	mm	2320	2320

OVERALL DATA

Bucket Capacity	1.7m ³	1.7m ³
Rated Payload	3000kg	3000kg
Operating Weight	10300±300kg	10500±300kg
Traction Force	97±3kN	97±3kN
Breakout Force	105±3kN	95±3kN
LxWxH(mm)	7200x2500x3180	7450x2500x3180

ENGINE&ELECTRICAL SYSTEM

Maker/Model	WEICHAI/WP6G125E22	
Emission Standard	National II	
Engine Type	4 Stroke, Turbocharged, Water-cooled, Direct Injection, Diesel Engine	
Rated Power	92kW(125hp)/2200rpm	
Maximum Torque	500N·m/1400-1600rpm	
Bore x Stroke (mm)	105x130	
No. of Cylinders/Displacement	6/6.75L	
Compression Ratio	18.0	
Air Cleaner	Three Stage Air Cleaner	
Alternator	55Amp	
Battery	2-24V/105Ah	
Starting Motor	24V/6kW	
Heating Capacity (W)	5000W	
Cooling Capacity (W)	4700W	

DRIVE TRAIN

Transmission Type	Countershaft Powershift Transmission				
Shift Type	Mechanical Powershift Control				
Pressure of Transmission	1, 1-1.5MPa				
Torque Converter Type	Single-stage, Single-turbine, 3-element				
Torque Ratio	3.2				
Axles	Rigid Front Axle&Oscillating Rear Axle				
Rear Axle Oscillation (°)	±10°				
Differential	Conventional				
Main Reducer	Spiral Bevel, 1-stage Reduction				
Final Reducer	Planetary Reduction				
Tire	17.5-25 L-3 12PR TT				
Travel Speeds	km/h	1st	2nd	3rd	4th
	Forward	7	12	24	36
Reverse	8.5	28			

BRAKE SYSTEM

Service Brake	Single Circuit Caliper, Dry Brake
Setting Pressure	0.70-0.78MPa
Parking Brake	Flexible Shaft Controlled Caliper Brake
Emergency Brake	Flexible Shaft Controlled Caliper Brake

STEERING SYSTEM

Type	Hydraulic Load Sensing System		
Pump	Gear Pump, 176L/min • 2200rpm		
System Pressure	14MPa		
Cylinder	Type	Double Acting	
	Bore x Stroke	2-80x315mm	
Steering Angle	±35°		

HYDRAULIC SYSTEM

Type	Mechanical Shift Control			
Pump	Gear Pump, 176L/min • 2200rpm			
Control Valve	2 Spool (Bucket&Boom)			
System Pressure	16MPa			
Cylinder	Lift Cylinder	2-125x784mm		
	Tilt Cylinder	1-140x553mm		
Joystick Control Pressure(Optional)	2.5MPa			
Cycle Time (Sec)	Raise	Dump	Lower	Total
	5.5	1.3	3.7	10.5

SERVICE REFILL CAPACITY

Fuel Tank (L)	200L
Hydraulic Tank (L)	150/155 (2 nd Spool for Auxiliary Function)
Crankshaft (L)	17L
Transmission (L)	36L
Front Axle/Rear Axle (L)	18.5L/18.5L

STANDARD EQUIPMENT

WEICHAI Engine	Mechanical Shift Control
4F/2R LONKING Transmission	Standard Lift&Bucket (1.7m ³)
Mechanical Powershift Control	ROPS&FOPS Cabin
LONKING Axles	Mechanical Instrument Panel
Flexible Shaft Controlled Caliper Brake(Parking Brake)	

OPTIONAL EQUIPMENT

Joystick Control	High Lift & Additional Counterweight
3F/3R LONKING Transmission	Quick Hitch Coupler
Air Conditioner	Quick Hitch Bucket (1.7m ³)
Radio/MP3	Bucket 1(2.0m ³)
Cold Starting (-35°C)	Enlarged Bucket(2.3m ³)
Oil-bath Air Filter	Coal Bucket(2.5m ³)
17.5R25 ★★ L-3 TL	Bucket(3 Piece Cutting Edges)
3 rd Spool for Auxiliary Function	Log Grapple
3-lever Control for Lift&Tilt&Auxiliary Function	Grass Grapple
Sliding Cabin Window	Side Tip Bucket
Electric Heating Rear Window	Log Fork
Lockable Oil Tank Cap	4in1 Bucket(Quick Hitch Only)
Rear View Camera	Snow Blade(Quick Hitch Only)
Pressure Testing Connector	Close Sweeper

Jakarta

Rukan Sedayu Square Blok D/08, Cengkareng, Jakarta Barat - DKI Jakarta.

Tangerang

Pergudangan Bizlink Citra Raya Blok P5 No. 31 Jl. Pemda Tigaraksa Kel. Sukamulya Kec. Cikupa Kab. Tangerang - Banten.

Surabaya

Jl. Gunungsari No. 55-59 (gudang B) Surabaya - Jawa Timur.

Makassar

Ruko Insingnia Blok B No. 17 Jl. Perintis Kemerdekaan KM 15 Kel. Pai Kec. Biringkanaya Kota Makassar - Sulawesi Selatan.

LONKING 龙工

Efficiency Rules the Future

LG833N WHEEL LOADER

POWERFUL WEICHAI DEUTZ ENGINE
LONKING TRANSMISSION
LONKING AXLES
ROPS&FOPS CABIN
VARIETY WITH ATTACHMENT
CONVENIENT MAINTENANCE



- **RATED POWER:** 92kW/2200 rpm
- **BUCKET CAPACITY:** 1.7m³
- **RATED PAYLOAD:** 3000kg
- **OPERATING WEIGHT:** 10300kg



PT. MITRA TEKNINDO SEJATI