



## LED Streetlight EA Series

### Features

- High lumen output, anti glare
- IP66 protection rating
- Anti-shock IK08, 3G vibration endurance
- Integrated & Streamline design
- Surge protection up to 10KV

### Benefits

- No dark spaces, excellent lighting effect
- Safe for outdoor use, weather resistant
- Up to 60% energy saving compared to HPS streetlight
- Dust free and easy to clean
- Long life, low maintenance cost

### Application



### Specification

Item Code	Item Description	Power (W)	Power Factor	Lumen (lm)	Efficacy (lm/W)	Input Current (mA)	Lifetime (L70B50)	MOQ (pcs)
543014004710	LEDStreetlight-EA 80W-3000-GY-GP	80	0.95	9200	115	370	50000	100
543014004810	LEDStreetlight-EA 80W-5700-GY-GP	80	0.95	9600	120	370	50000	100
543014004610	LEDStreetlight-EA 120W-3000-GY-GP	120	0.95	13200	110	560	50000	100
543014004510	LEDStreetlight-EA 120W-5700-GY-GP	120	0.95	13800	115	560	50000	100
543014004410	LEDStreetlight-EA 150W-3000-GY-GP	150	0.95	15750	105	690	50000	100
543014004310	LEDStreetlight-EA 150W-5700-GY-GP	150	0.95	17250	115	690	50000	100
543014046210	LED Streetlight-EAM 80W-3000-GY-GP	80	0.95	8500	100	370	50000	100
543014046310	LED Streetlight-EAM 80W-4000-GY-GP	80	0.95	9200	110	370	50000	100
543014046410	LED Streetlight-EAM 80W-5700-GY-GP	80	0.95	9200	110	370	50000	100
543014046510	LED Streetlight-EAM 100W-3000-GY-GP	100	0.95	10000	100	430	50000	100
543014046610	LED Streetlight-EAM 100W-4000-GY-GP	100	0.95	10500	110	430	50000	100
543014046710	LED Streetlight-EAM 100W-5700-GY-GP	100	0.95	10500	110	430	50000	100

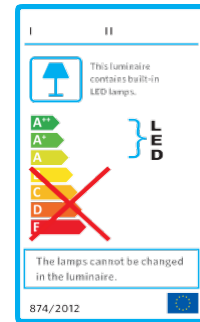
Technical Specifications	
CRI	≥70
Colour Consistency (SDCM)	6
Dimmable	No
Housing Colour	Grey
IP	IP66
IK	IK08
Driver integrated (Yes/No)	Yes
Glow wire test	650°C
Weight (kg/pc)	6.5/6.6/7.9(EA) 3.3(EAM)

Electrical Supply	
Frequency (Hz)	50 / 60
Voltage (V)	220~240
AC / DC	AC

Mechanical Properties	
Housing Material	Die-cast Aluminium
Optical Material	PC+ Glass(EA) PC(EMA)

Application Conditions	
Operating Temperature	-40~45°C(EA) -35~45°C(EMA)
Application Temperature	25°C
Storage Environment	-40~65°C

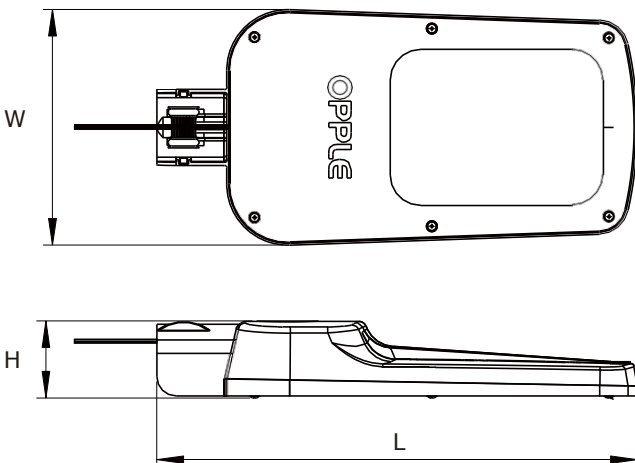
CB



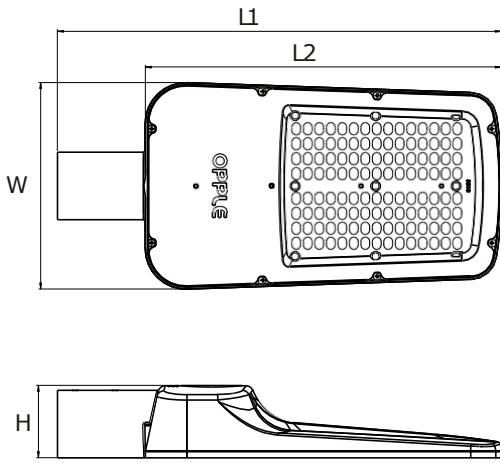
## Packaging Information

Item Code	Item Description	Single Box (1pc/box)		Packaging Unit		
		Dimensions (m) (LxWxH)	Gross Weight (kg)	Dimensions (m) (LxWxH)	Gross Weight (kg)	Packing Qty (pcs/unit)
543014004710	LEDStreetlight-EA 80W-3000-GY-GP	690*370*145	791	690*370*145	791	1
543014004810	LEDStreetlight-EA 80W-5700-GY-GP	690*370*145	791	690*370*145	791	1
543014004610	LEDStreetlight-EA 120W-3000-GY-GP	690*370*145	798	690*370*145	798	1
543014004510	LEDStreetlight-EA 120W-5700-GY-GP	690*370*145	798	690*370*145	798	1
543014004410	LEDStreetlight-EA 150W-3000-GY-GP	690*370*145	893	690*370*145	893	1
543014004310	LEDStreetlight-EA 150W-5700-GY-GP	690*370*145	893	690*370*145	893	1
543014046210	LED Streetlight-EAM 80W-3000-GY-GP	560*260*115	4.3	560*260*115	4.3	1
543014046310	LED Streetlight-EAM 80W-4000-GY-GP	560*260*115	4.3	560*260*115	4.3	1
543014046410	LED Streetlight-EAM 80W-5700-GY-GP	560*260*115	4.3	560*260*115	4.3	1
543014046510	LED Streetlight-EAM 100W-3000-GY-GP	560*260*115	4.3	560*260*115	4.3	1
543014046610	LED Streetlight-EAM 100W-4000-GY-GP	560*260*115	4.3	560*260*115	4.3	1
543014046710	LED Streetlight-EAM 100W-5700-GY-GP	560*260*115	4.3	560*260*115	4.3	1

## Dimensional Drawing

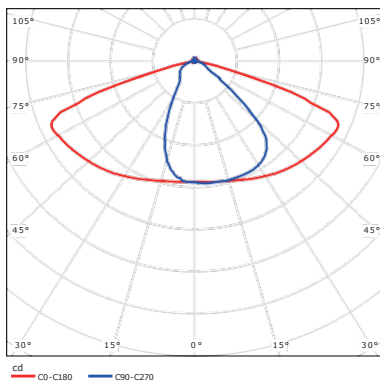


Model	L(mm)	W(mm)	H(mm)
LED SL-EA 80W	645	310	112
LED SL-EA 120W	645	310	112
LED SL-EA 150W	645	310	112



Model	L1(mm)	L2(mm)	W(mm)	H(mm)
LED SL-EAM 80W	505	405	235.2	82.5
LED SL-EAM 100W	505	405	235.2	82.5

### Photometric Data



150°+88°

#### OPPLE SHANGHAI OFFICE

Building V3, The Mixc, 1799 Wuzhong Road,  
Minhang District, Shanghai, China

ZIP: 201103

T +86 2138550000

E [intersales@opple.com](mailto:intersales@opple.com)

[WWW.OPPLE.COM/EN](http://WWW.OPPLE.COM/EN)