

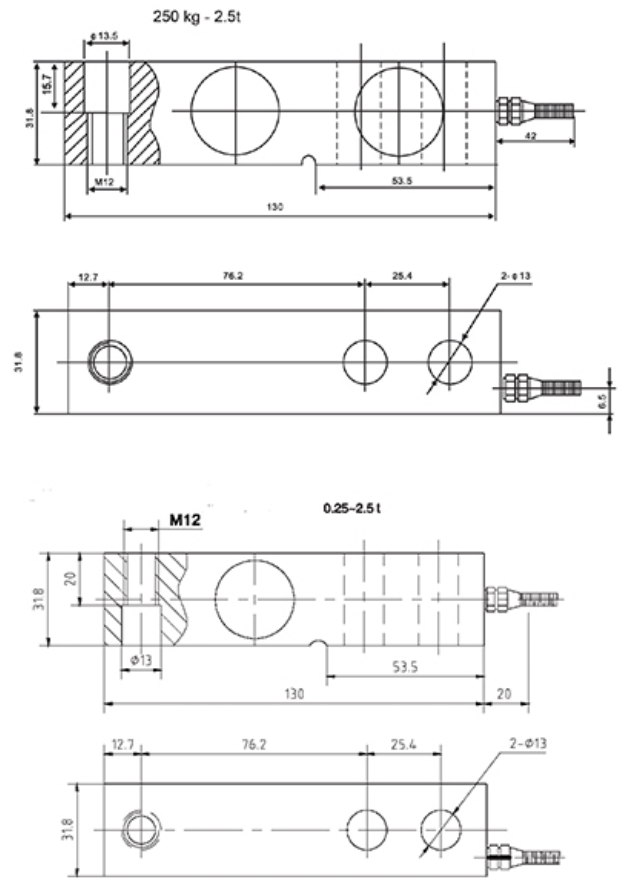
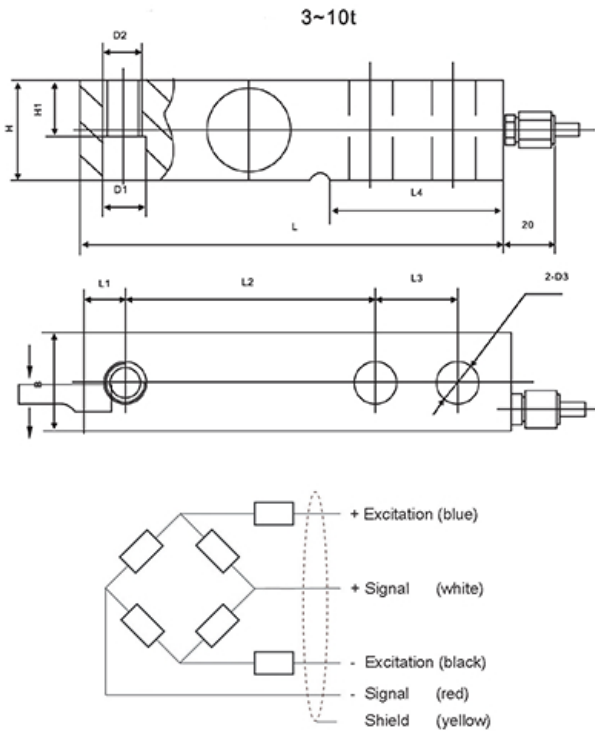
MK - SLB-D Digital load cell



Rated Load (t)	L	L1	L2	L3	L4	H/B	H1	D1	D2	D3
3,5	171.5	19	95.3	38.1	72.5	38.1	26	Φ20	M18x1.5	Φ20
7,5-10	225.5	25.3	124	50.8	102	50.8	25.4	Φ27	M24x2	Φ27

FEATURE:

- High accuracy
- High quality shear beam load cell
- Nickel plated steel with anti corrosive
- Standard leveling foot for universal application
- Can use for forklift, pallet, silo, hopper, low platform scale
- Compatible with all MK Digital Indicator



SPECIFICATION

Rated capacities (E _{max})	0.25, 0.5, 1, 2, 3.5, 10t	Temperature, operating	-30°C~+70°C
Rated output	250, 500, 1000, 2000, 3000, 5000, 10000	Maximum safe overload	150%F.S
Combine error	±0.02% F.S	Ultimate overload	180%F.S
Zero balance	±0.1%F.S	Excitation, recommended	10-12V DC
Creep (30 min)	±0.02%F.S/10°C	Excitation, maximum	20 VDC
TC SPAN	±0.02%F.S/10°C	Protection class	IP68
Communication Baud rate	9600 Bps	Construction	Nickel Plated Steel
Data refresh frequency	50 Hz	Cable Length	3m(0.25-2t),4.2m(3-5t),5m(10t)
Temperature, compensated	-10°C~+40°C		Diameter Φ5mm