

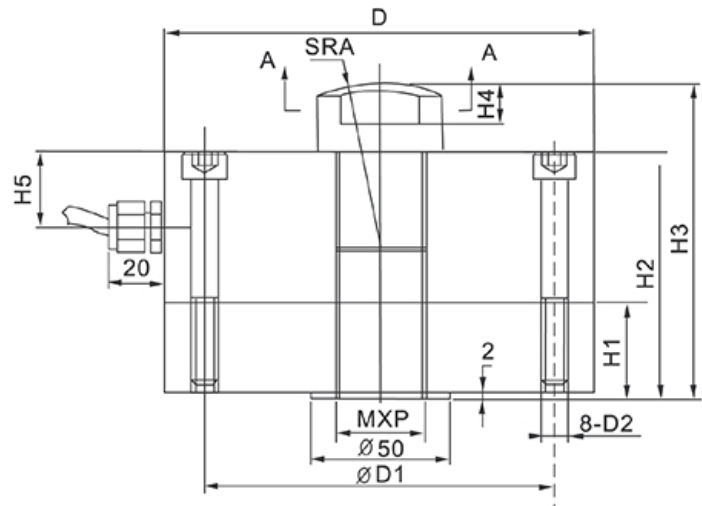
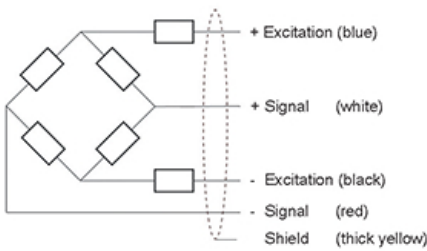
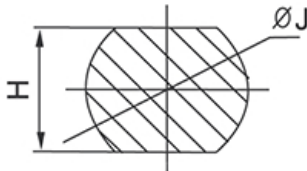
MK - LPC



FEATURE:

- Dual function compression and tension installation
- Universal low profile load cell
- Adjustable height dimension
- High accuracy
- 5 core high quality orange cable
- Can use for testing machine, crane, mining, hopper, tank, axle, etc

A-A



Rated Load(t)	D	M*P	H1	H2	H3	H4	H5	H	ΦJ	A	D1	D2
1,2,3	Φ105	M14*2	25	70	85	10	22.5	20	Φ25	40	90	M6x55
5	Φ120	M20*1.5	30	80	95	10	25	25	Φ30	45	104.5	M8x65
10,20	Φ155	M32*2	35	90	115	15	27.5	35	Φ45	60	133	M10x75

SPECIFICATION

Rated capacities (E _{max})	1,2,3,5,10,20t	Temperature, compensated	-10°C~+40°C
Rated Output	2.0±0.006mV/V	Temperature, operating	-30~+70°C
Total error	±0.05%F.S(2,3,5t);±0.1%F.S(10,20t)	Maximum safe overload	150%F.S
Creep error (30min)	±0.03%F.S	Ultimate overload	200%F.S
Zero balance	±1%F.S	Excitation, recommended	10~12V DC
TC ZERO	±0.02%F.S/10°C	Excitation, maximum	15V DC
TC SPAN	±0.02%F.S/10°C	Protection class	IP67
Input resistance	400±20Ω	Construction	Alloy Steel
Output resistance	352±3Ω	Cable	Length:12m
Insulation resistance	≥5000MΩ		Diameter: Φ 6mm