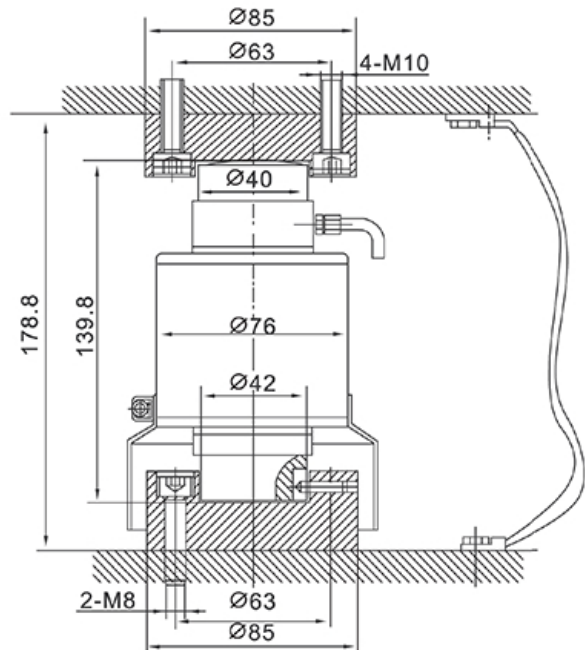
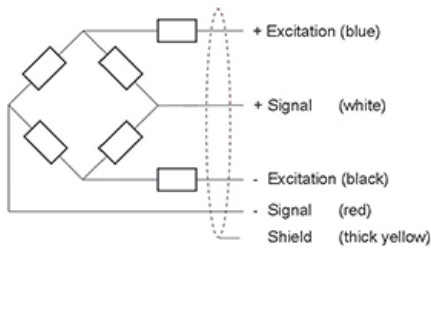


MK - ZSGB



FEATURE:

- Upper and lower inhibitors design, Easy installation
- Dynamic response, and super capacity for anti-overload
- High quality alloy steel construction
- Hermetically sealed IP68 protection class
- 5 core high quality orange cable
- Truck scale, hopper scale, and tank weighing application



SPECIFICATION

Rated capacities (Emax)	10,15,20,25,30t	Temperature range, compensated	-10°C~+40°C
Rated Output	2.0±0.002mV/V	Temperature range, operating	-30~+70°C
Accuracy class	C3	Maximum safe overload	150%F.S
Creep error (30 min)	±0.02%F.S	Ultimate overload	250%F.S
Zero balance	±1%F.S	Excitation, recommended	10~12V DC
TC ZERO	±0.02%F.S/10°C	Excitation, maximum	15V DC
TC SPAN	±0.02%F.S/10°C	Protection class	IP68
Input resistance	400±20Ω	Construction	High Quality Alloy Steel
Output resistance	352±3Ω	Cable	14m(30t)
Insulation resistance	≥5000MΩ		Diameter: Φ 5mm