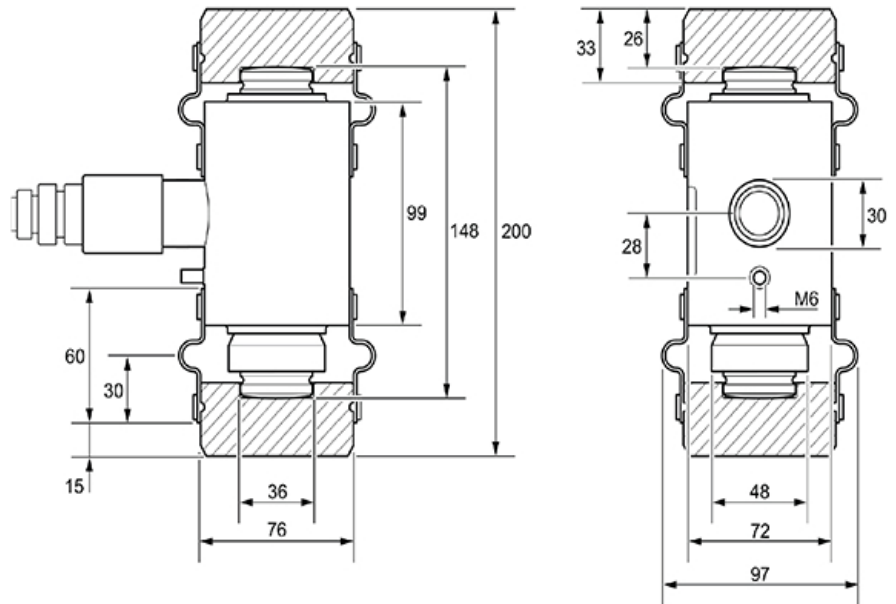
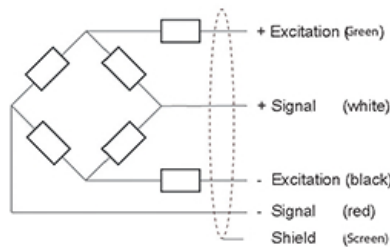


# MK - T302X



### FEATURE:

- Upper and lower inhibitors design, Easy installation
- Dynamic response, and super capacity for anti-overload
- Stainless steel construction
- Hermetically sealed IP68 protection class
- 5 core high quality heavy duty
- Truck scale, hopper scale, and tank weighing application
- Lightning protection



### SPECIFICATION

Rated capacities (E <sub>max</sub> )	22.5, 45t	Temperature range, compensated	-10°C~+40°C
Rated Output	1.75±0.002mV/V	Temperature range, operating	-30~+70°C
Accuracy class	C3	Maximum safe overload	150%F.S
Creep error (30 min)	±0.01%F.S	Ultimate overload	250%F.S
Zero balance	±1%F.S	Excitation, recommended	10~12V DC
TC ZERO	±0.02%F.S/10°C	Excitation, maximum	15V DC
TC SPAN	±0.02%F.S/10°C	Protection class	IP68
Input resistance	560±620Ω	Construction	Stainless steel
Output resistance	480±5Ω	Cable	20 - 25m
Insulation resistance	≥5000MΩ	Diameter: Φ	8mm