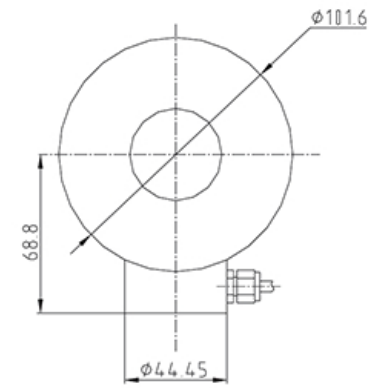
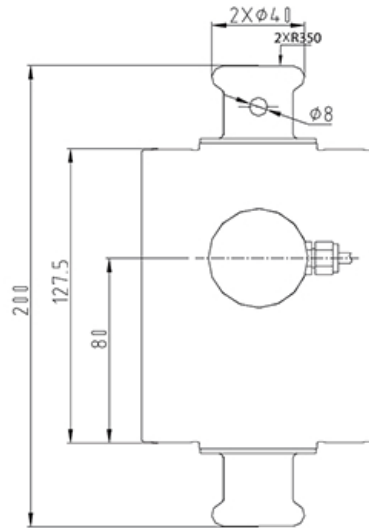
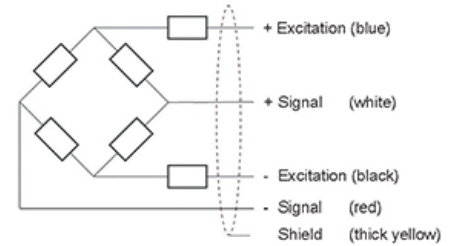


MK - HPT



FEATURE:

- High quality alloy steel with nickel plated finished
- Anti rotate stopper
- High technology single compression design
- 5 core high quality orange cable
- Power surge protected
- Truck scale and rail weighbridges application



SPECIFICATION

Rated capacities (E _{max})	30,45t	Temperature, compensated	-10°C~+40°C
Rated Output	2.0±0.003mV/V	Temperature, operating	-30~+70°C
Total error	±0.03%F.S	Maximum safe overload	150%F.S
Creep error (30 min)	±0.02%F.S	Ultimate overload	200%F.S
Zero balance	±1%F.S	Excitation, recommended	10~12DC
TC ZERO	±0.02%F.S/10°C	Excitation, maximum	15V DC
TC SPAN	±0.02%F.S/10°C	Protection class	IP68
Input resistance	750±10Ω	Construction	High Quality Alloy Steel
Output resistance	702±3Ω	Cable	Length:10m
Insulation resistance	≥5000MΩ		Diameter: Φ 6mm